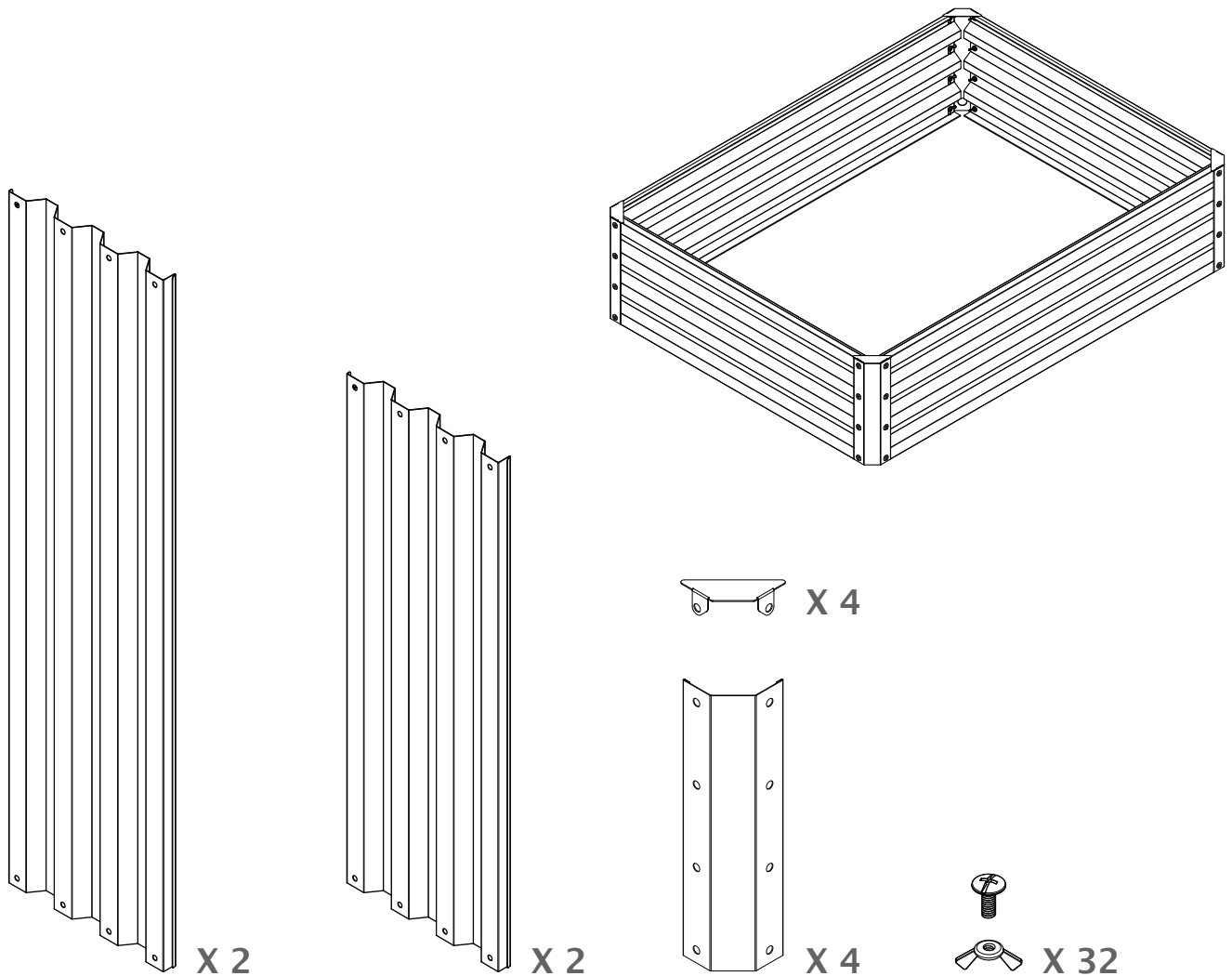
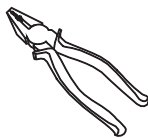


# Raised Garden Bed



## TOOLS REQUIRED



## BEFORE YOU START

Prior to installation, choose a suitable location on flat ground for your Garden Bed. Measure the area to ensure there is enough room, a minimum 48" x 36" is required.

To ensure the installation of your Stratco Garden Bed proceeds smoothly you should confirm that all the components listed in this installation guide have been supplied. Carefully read this installation guide to familiarize yourself with all the steps involved, and ensure that you have the correct tools and equipment for the job. All required tools are available for purchase at your local hardware store.

**NOTE:** Use heavy gloves when handling steel sheeting and flashings and never attempt to install the garden bed in windy conditions.

