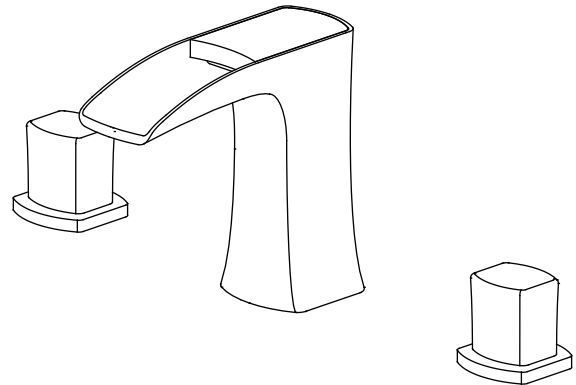


# INSTALLATION INSTRUCTIONS



## FFT3076CH Three-hole faucet



### Important

We recommend that this product is installed by a qualified professional contractor.

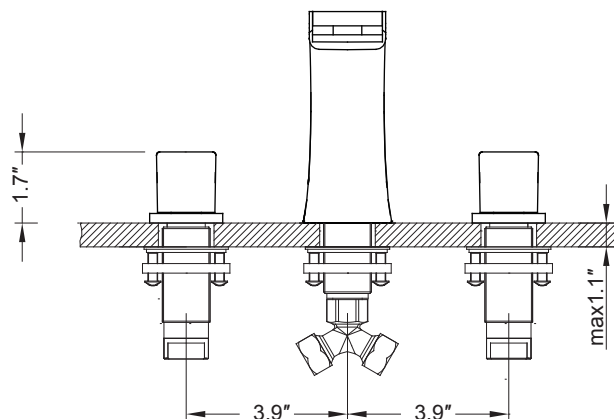
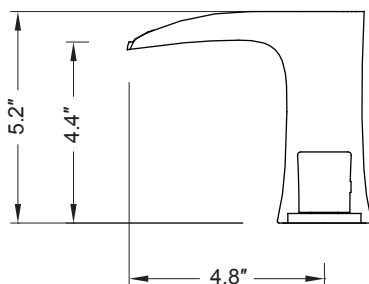
- Please check this product immediately to ensure that it has not been damaged and is complete.
- Please flush the water system to ensure that no debris or any other impurities can enter the taps.
- Turn off water supply before commencing work.
- Please read these instructions carefully and keep for future reference.

### Maintenance

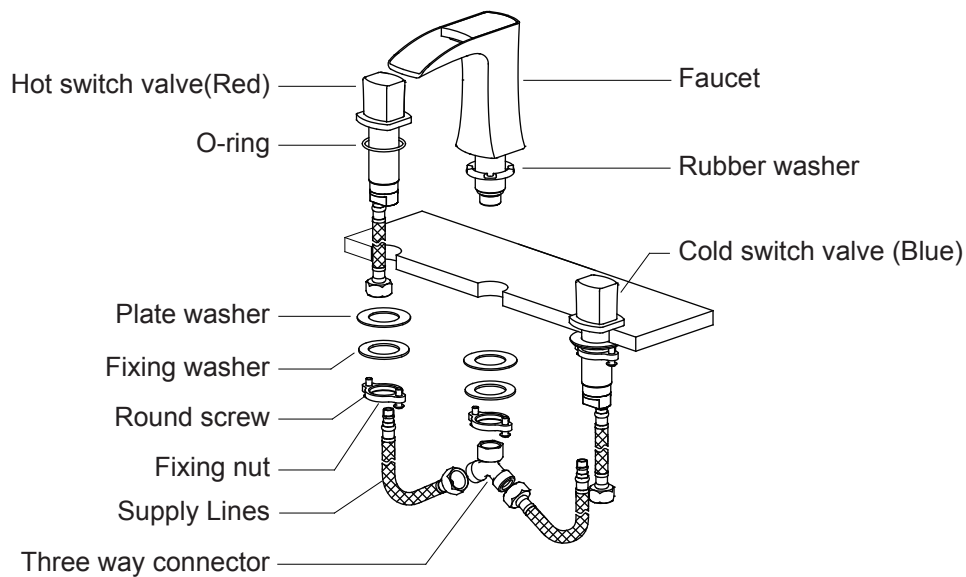
We do NOT recommend you use any household cleaners to clean the product. Because these cleaners change substance or formula too frequently. The product should always be cleaned with soapy water and rinsed with clean water and dried with a soft cloth.

### Dimensions

Unit: inches



## Installation



1. Fit the rubber washer into the bottom groove of the faucet, place the faucet into the installing hole on the countertop. Place the plate washer and fixing washer under the countertop and revolve the fixing nut. Check that the faucet is correctly positioned, then tighten the round screw. Screw the three way connector (make sure a plate washer inside) onto the bottom thread of the faucet. Install the supply lines attached hot switch valve (Red) and cold switch valve (Blue) into the installing hole on the countertop. Turn the hot switch valve in clockwise direction and cold switch valve in anticlockwise direction to off state. Place the plate washer and fixing washer under the countertop and revolve the fixing nut. Adjust the position of the two valves and keep the handle in the same direction as the diagram, tighten the round screw.
- 2.
3. Screw one end of the supply lines to the thread on the hot and cold switch valve. (See the above diagram)
4. Screw the other end of the supply lines to the thread on the three way connector. (See the above diagram)

