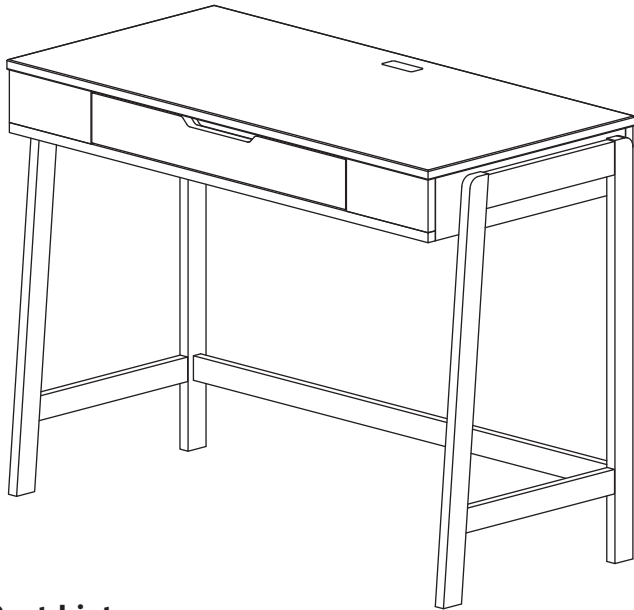


Assembly Instruction

Item# 535-5X

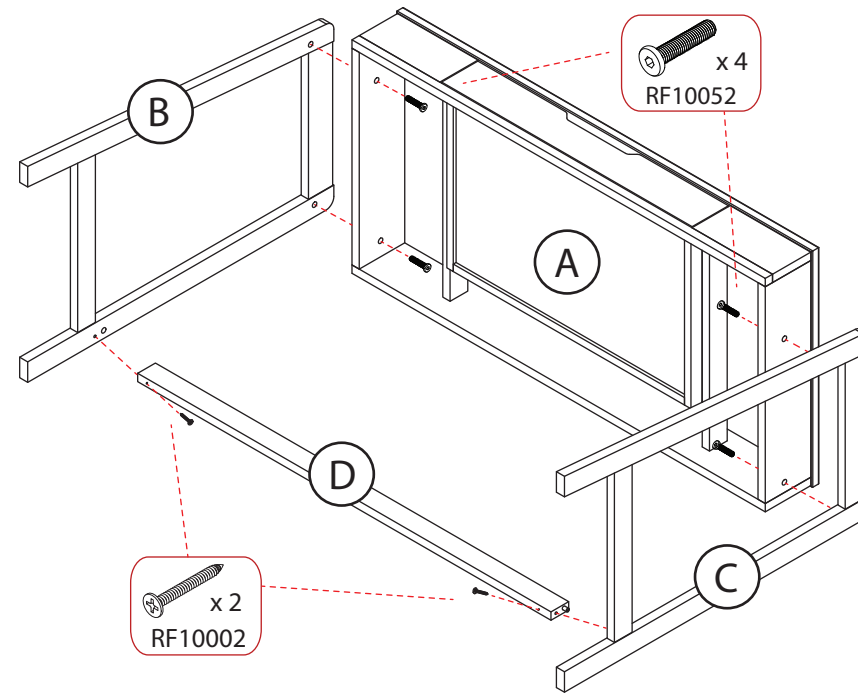
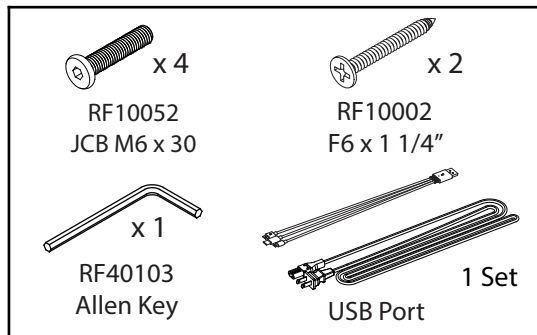
Neorustic Smart Desk with USB Ports



Part List

Part No.	Description	Q'ty
A	Desk Top	1 pc.
B	Left Panel	1 pc.
C	Right Panel	1 pc.
D	Crossbar	1 pc.

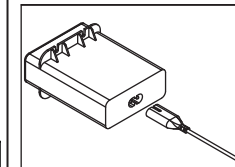
Hardware



Attach Desk Top (A), Left Panel(B), Right Panel (C) together by using screw (RF10052). Attach Crossbar (D) to (B) and (C) by using screw (RF10002) as per diagram.

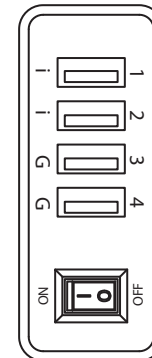
USB Adapter Specifications

Input Voltage	AC 100-240V 50/60Hz
Input Current	≤ 350mA @ 220V AC w/ full load
Output Voltage	5.0V ± 0.25V
Load Regulation	-0.5% (Max)
Output Current	3.1A Max
Output Ripple	< 400mV p-p
Efficiency	> 75% @ 220V AC
Output Plug	USB Type A x 4
Over Power	≈ 17W @ 220V AC
Short Protection	Auto Recovery



Attach supplied AC cable from underneath the table and plug into a standard wall outlet. Unit is now ready to accept the supplied 3-in-1 cable.

*After multiple devices are charged simultaneously, please disconnect them in the reverse order.



USB 1 & 2 PORTS

Fast charging ports for devices that require higher current, ideal for iPads and Android tablets, while also compatible with other mobile devices.

USB 3 & 4 PORTS

Standard USB ports, ideal for smartphones and other mobile devices.