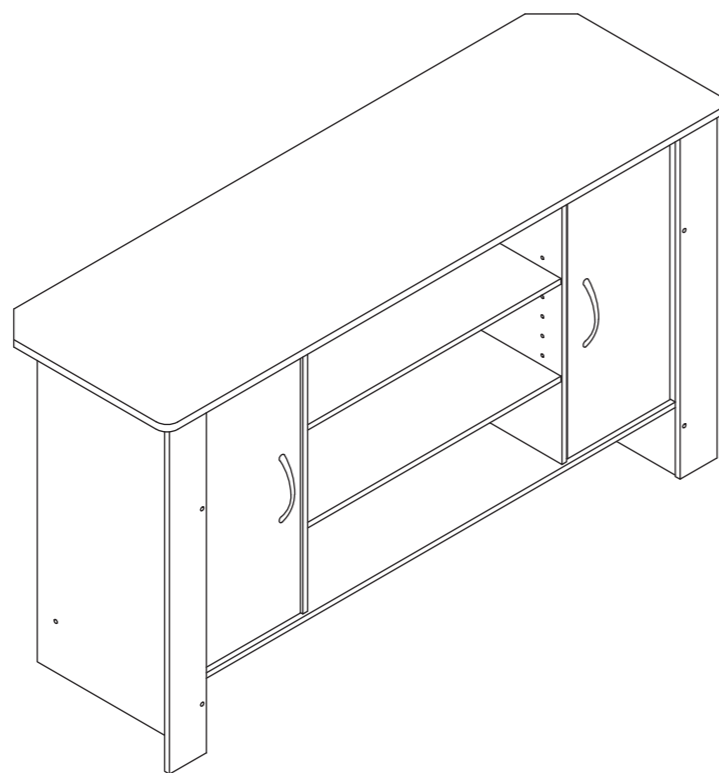
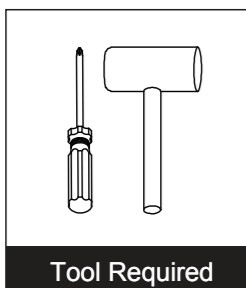
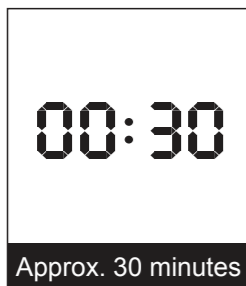








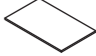





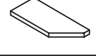
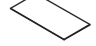
## Assembly Instruction

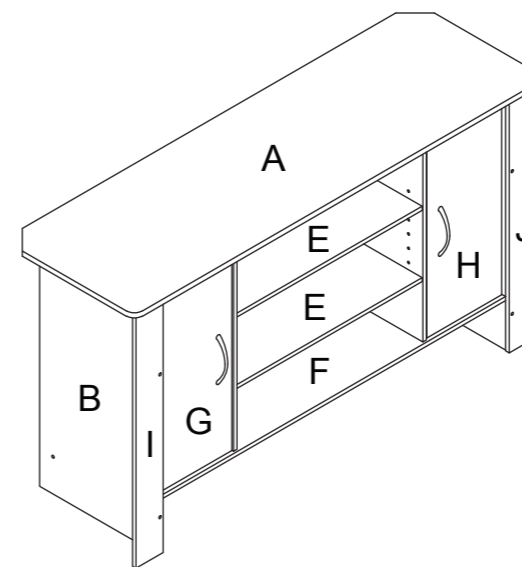
Furinno Econ TV Stand Entertainment Center

MODEL : 14055



No	Hardware List	Qty
1	C/B Screw M4x32mm 	14pcs
2	Dowel M5x20mm 	10pcs
3	Magnetic Catches 	2pcs
4	Tapping Screw M5x8mm 	2pcs
5	Door Holder(Spring) 	4pcs
6	Shelf Support 	8pcs
7	Handle(Moon) 	2pcs
8	P/H Screw M3.6x15mm 	4pcs
9	Nail Leg 	7pcs
10	Power Pin 	16pcs
11	Glue 	1pc

No	Parts List	Qty
A	Top Panel 	1pc
B	Side Panel 	2pcs
C	Center Left Panel 	1pc
D	Center Right Panel 	1pc
E	Shelf Panel 	2pcs
F	Bottom Panel 	1pc
G	Left Door Panel 	1pc
H	Right Door Panel 	1pc
I	Left Front Panel 	1pc
J	Right Front Panel 	1pc
K	Leg Panel 	1pc
L	Back Panel 	2pcs



### USEFUL HINTS BEFORE YOU START:

1. Read each step carefully before starting.
2. It is important that each step is performed in correct order to avoid difficulties.
3. Identify, sort and count the parts before assembly.
4. Assemble your furniture on packaging cardboard to prevent scratch or damage.
5. Clean the product with mild cleanser using soft damped cloth. Do not use harsh or abrasive cleanser.
6. Using incompatible hardware might cause damage to product.



### Customer Support

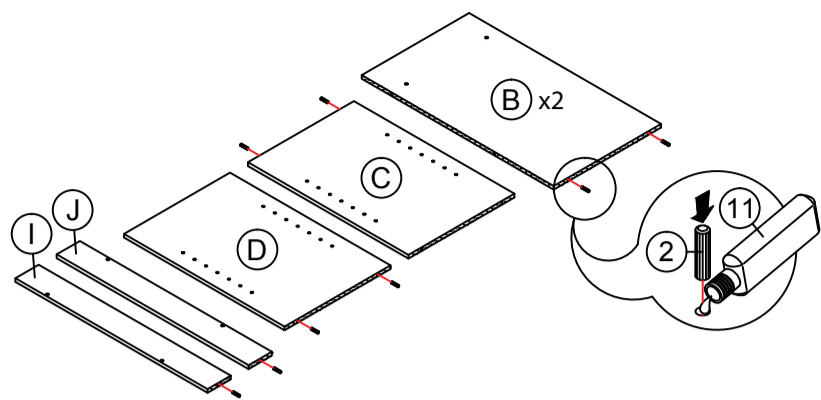
**NEED HELP?** For replacement requests or product inquiries, please contact our Customer Service Team by emailing us at [support@furinno.com](mailto:support@furinno.com). Thank you for selecting Furinno!

[www.furinno.com](http://www.furinno.com)

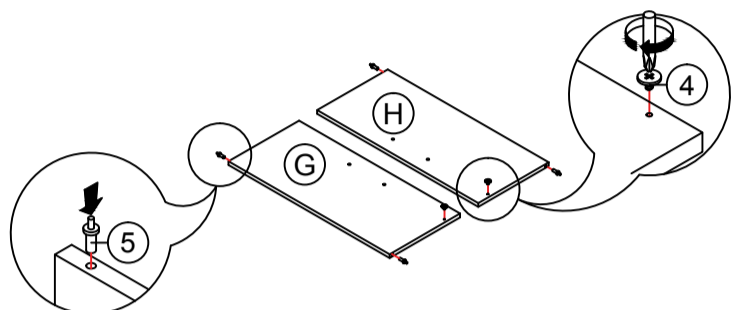


**STEP 1**

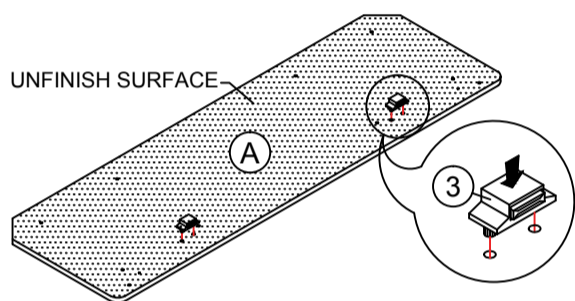
Install Dowel (2) into Panel (B)(C)(D)(I)&(J) using Glue (11).

**STEP 2**

Install Screw (4) and Door Holder (5) into Door Panel (G)&(H).

**STEP 3**

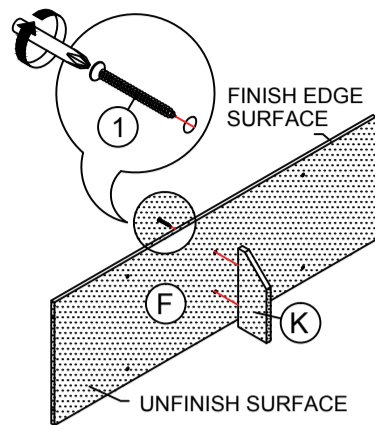
Install Magnetic Catches (3) to Top Panel (A), as shown.



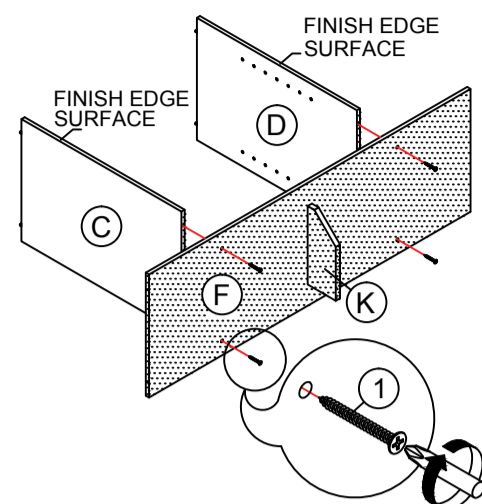
3/6

**STEP 4**

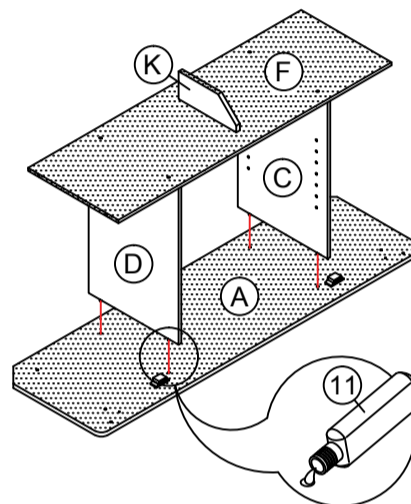
Attach Leg Panel (K) to Bottom Panel (F) using Screw (1).

**STEP 5**

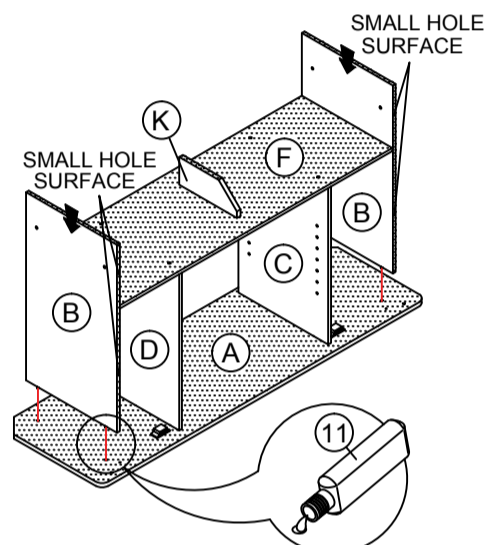
Attach Panel (C)&(D) to Bottom Panel (F) using Screw (1).

**STEP 6**

Attach assembled unit to Top Panel (A) using Glue (11).

**STEP 7**

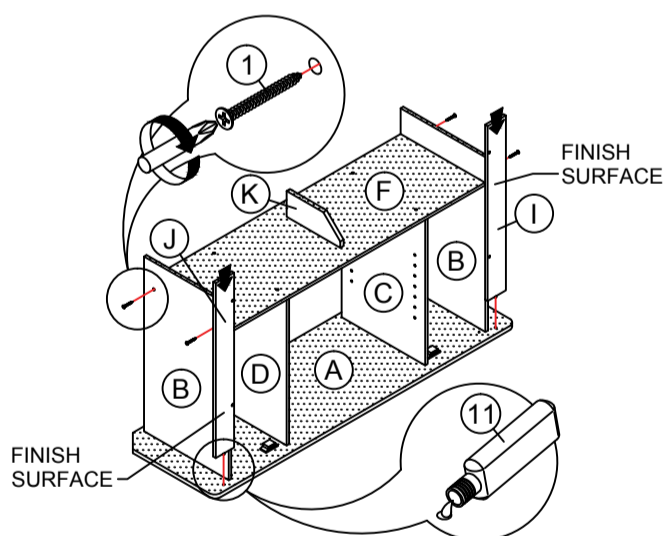
Attach Side Panel (B) to Top Panel (A) using Glue (11).



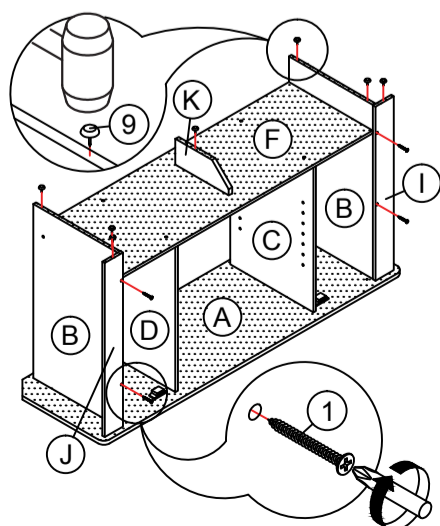
4/6

**STEP 8**

8.1 Attach Side Panel (B) to Bottom Panel (F) using Screw (1).  
8.2 Attach Panel (I)&(J) to Top Panel (A) using Glue (11).

**STEP 9**

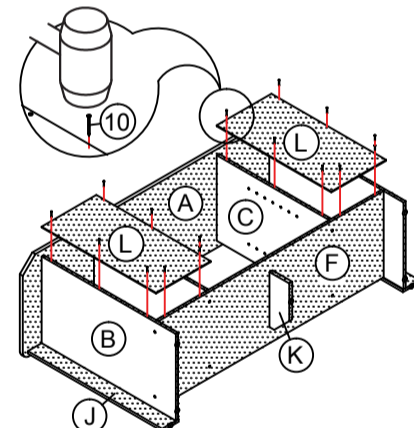
9.1 Attach Panel (I)&(J) to Side Panel (B) using Screw (1).  
9.2 Install Nail Leg (9) to Panel (B)(I)(J)&(K).



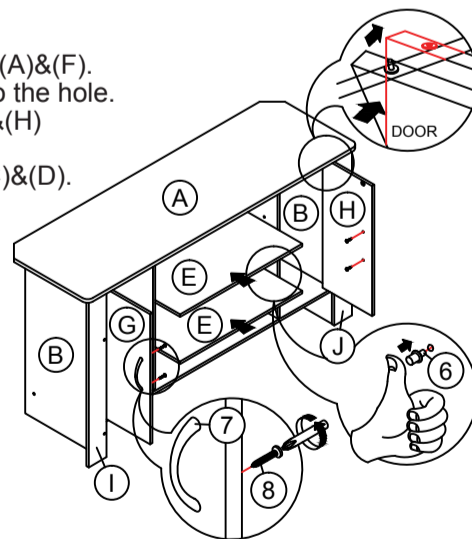
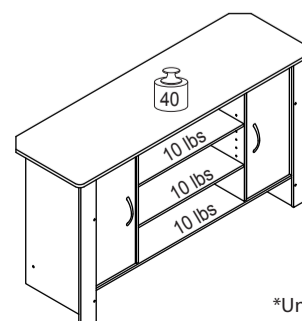
5/6

**STEP 10**

Attach Back Panel (L) to the back position of assembled unit using Power Pin (10).

**STEP 11**

11.1 Attach Door Panel (G)&(H) to Panel (A)&(F).  
Make sure Door Holder (5) place into the hole.  
11.2 Install Handle (7) to Door Panel (G)&(H) using Screw (8).  
11.3 Install Shelf Supports (6) to Panel (C)&(D).  
Make sure left & right hole at the same line.  
11.4 Attach Shelf Panel (E) on the Shelf Support (6).

**Recommended Maximum Weight**

\*Unit in Pound(lbs)

**WARNING:**

>This unit has been designed to support the maximum loads shown. Exceeding these load limits could cause sagging, instability, product collapse, and/or serious injury.

>DO NOT allow children to climb on unit.

>Put heavier items on lower shelves.

6/6