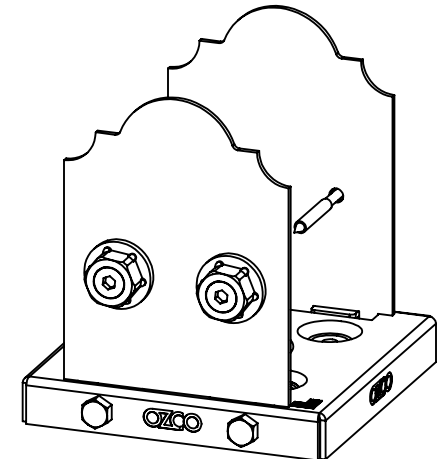
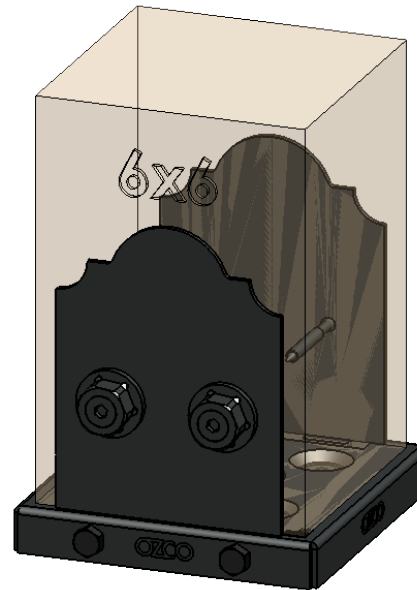
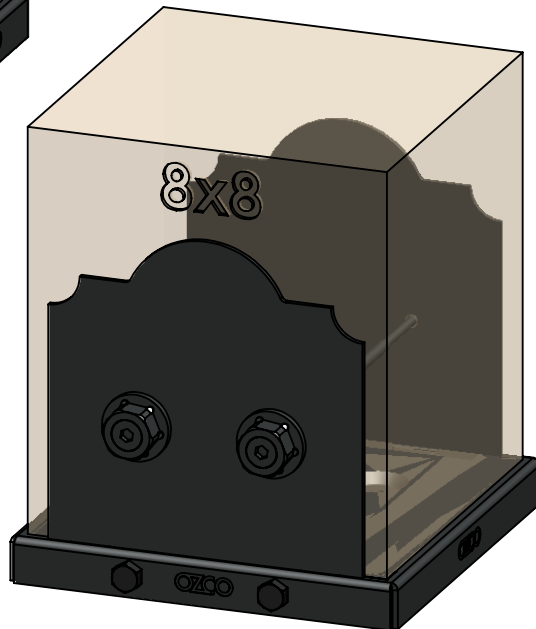
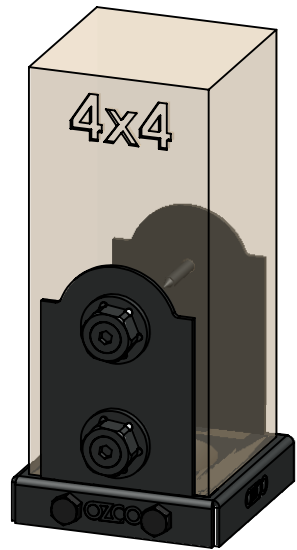


### Installation Instructions, Lite Post Bases

54207 Lite 4X4 Post Base (4X4-PB-LSL)

54208 Lite 6X6 Post Base (6X6-PB-LSL)

54209 Lite 8X8 Post Base (8X8-PB-LSL)



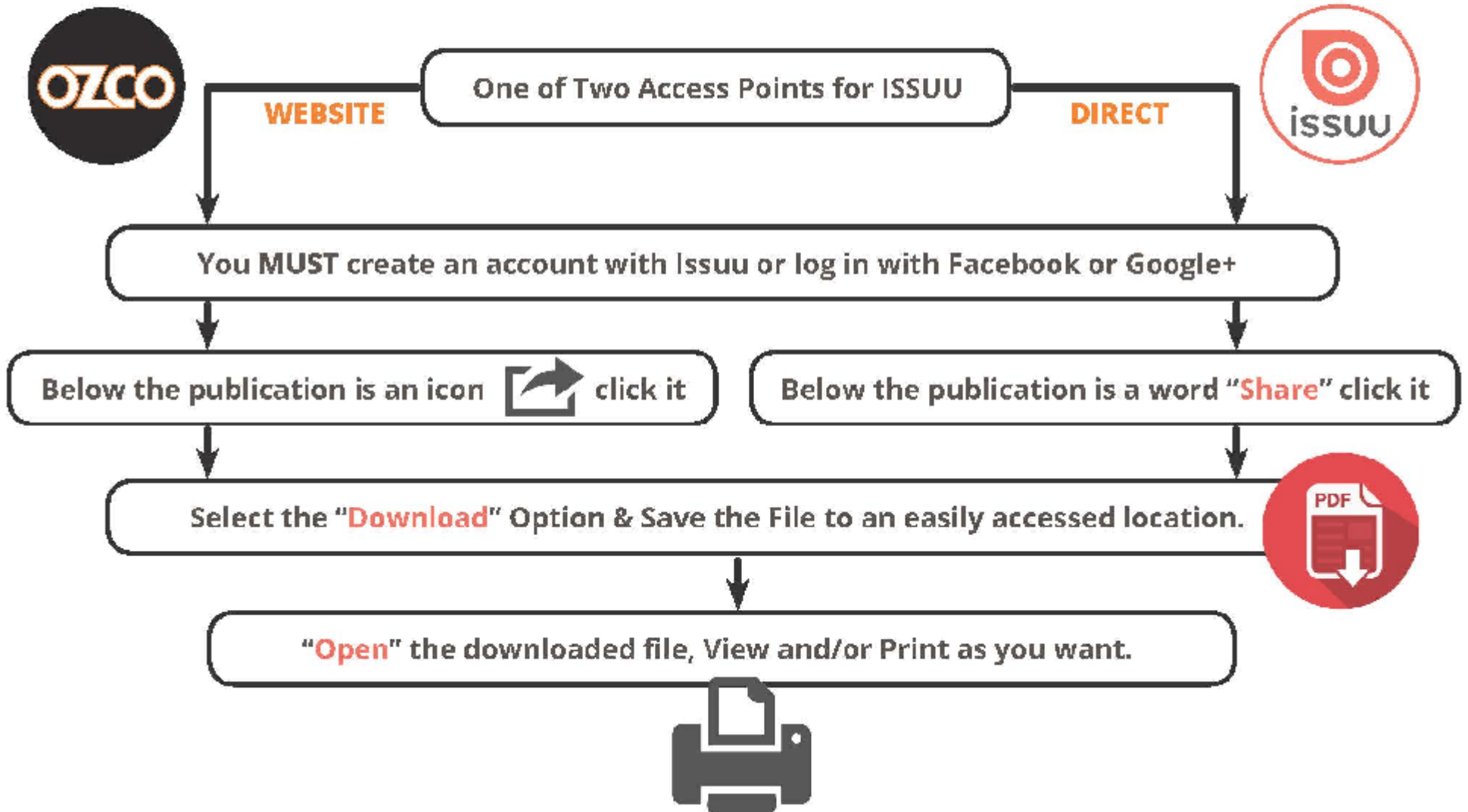
6x6





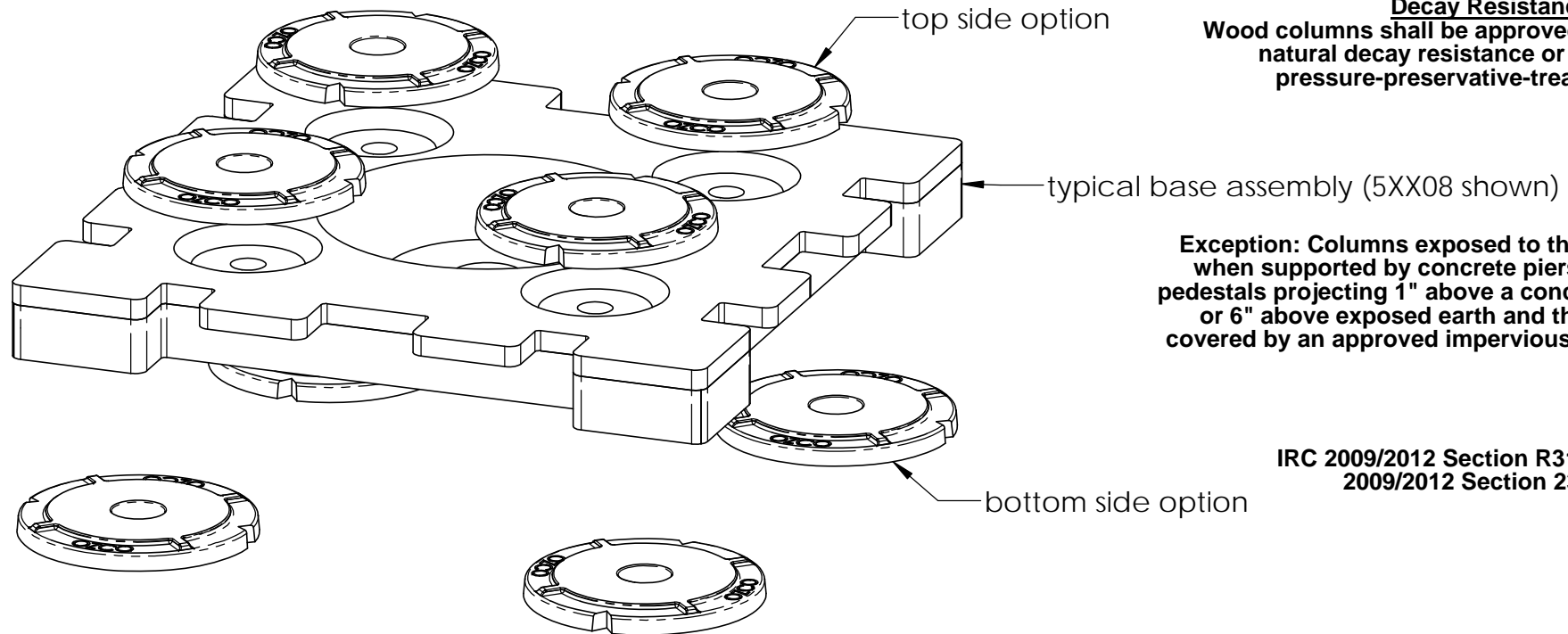
# Printing Documents from ISSUU

Unfortunately, there is currently no way to print content directly through issuu. To print a publication, you will need to download it and print it from your computer.



## Installation Instructions, Post Base (optional mounting)

**Decay Resistance of Post**  
Wood columns shall be approved wood of natural decay resistance or approved pressure-preservative-treated wood



**Exception:** Columns exposed to the weather when supported by concrete piers or metal pedestals projecting 1" above a concrete floor or 6" above exposed earth and the earth is covered by an approved impervious moisture barrier.

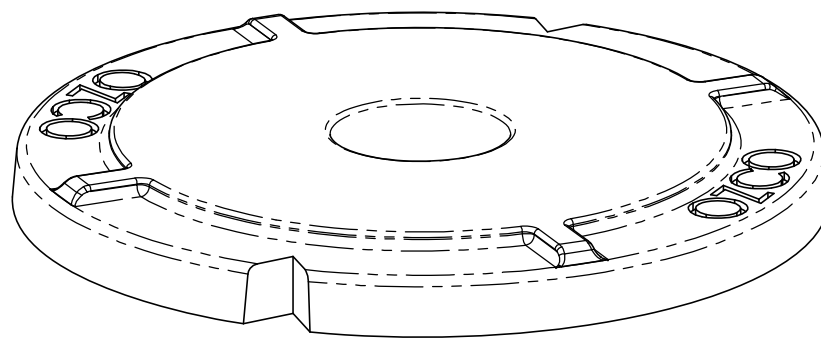
IRC 2009/2012 Section R317.1.4 IBC  
2009/2012 Section 2304.11.2.7

### 2 methods for isolating non decay resistant posts from moisture

1. Select the option that best suits your application
2. Add 2" Heavy Duty Timber Bolt Washer #56680
3. Continue with standard installation

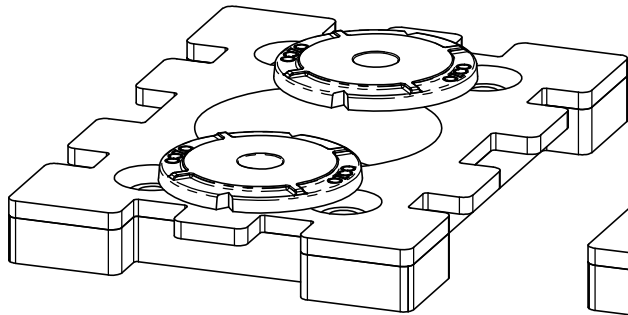


**OZCO** BUILDING PRODUCTS

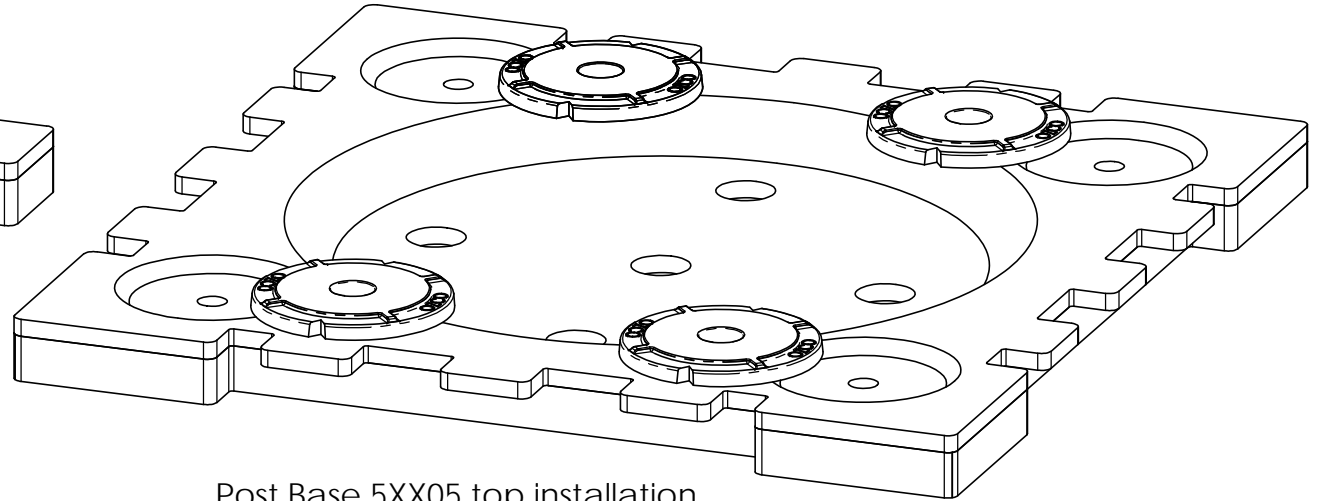


56680

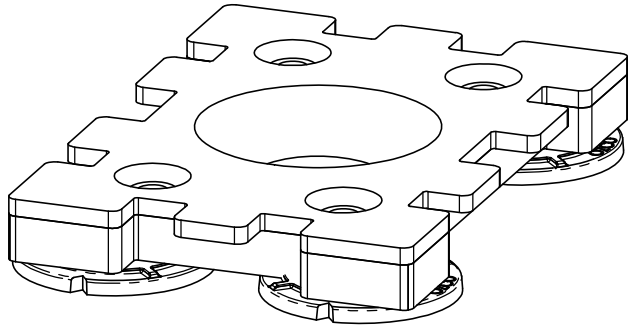




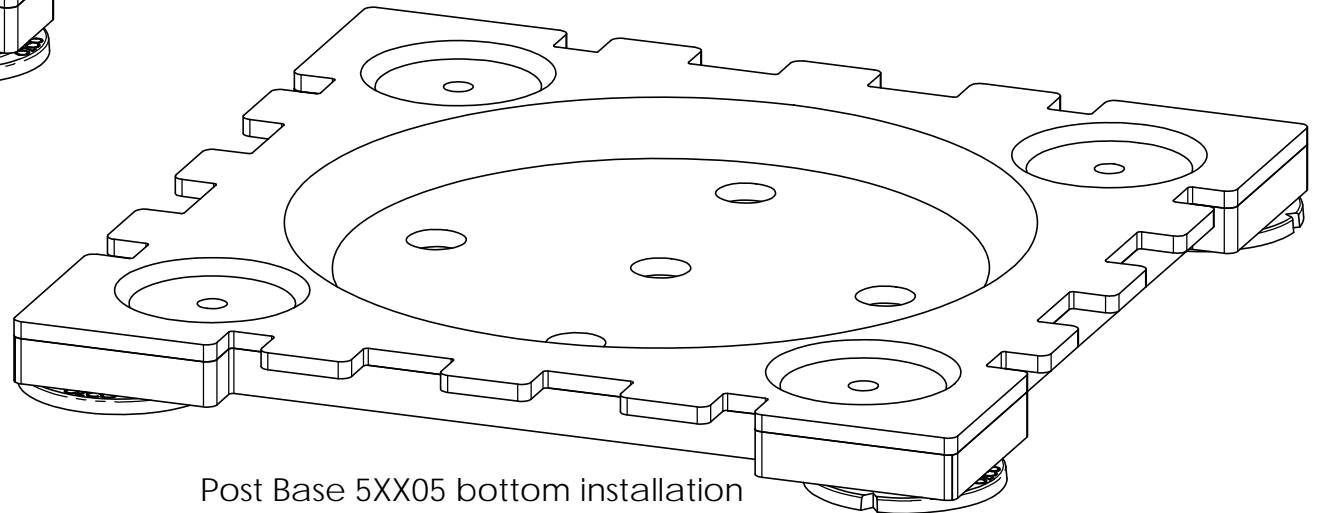
Post Base 5XX04 top installation



Post Base 5XX05 top installation



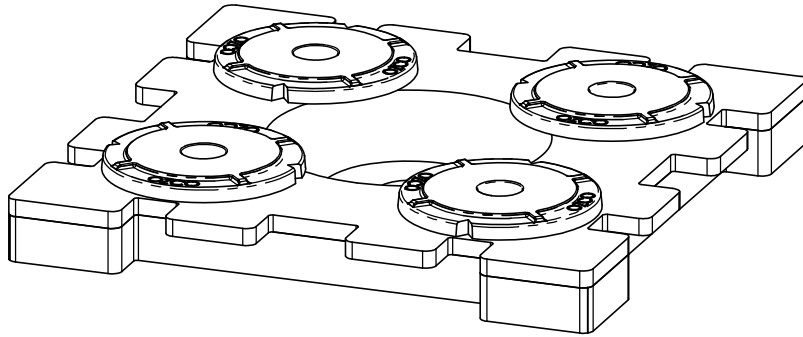
Post Base 5XX04 bottom installation



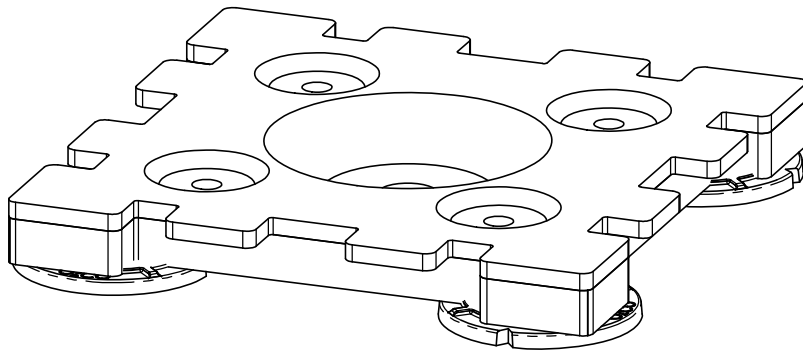
Post Base 5XX05 bottom installation

## Overview 1

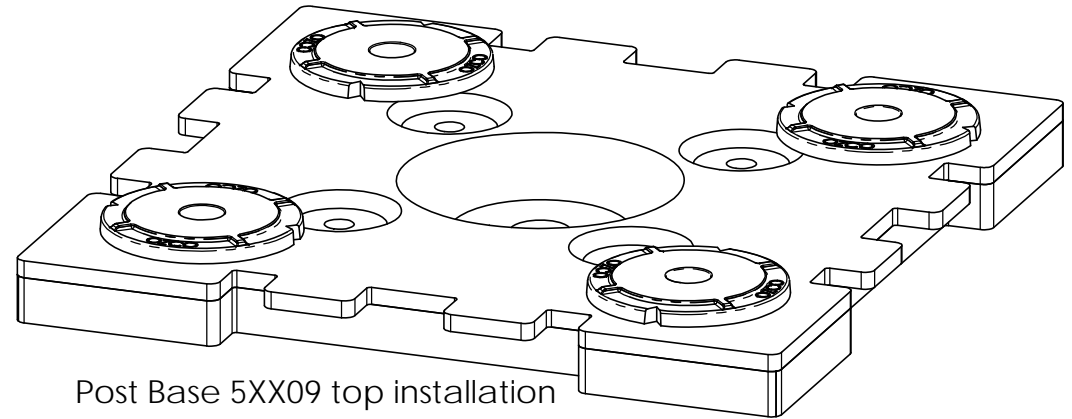
Installation Instructions, Post Base (optional mounting)



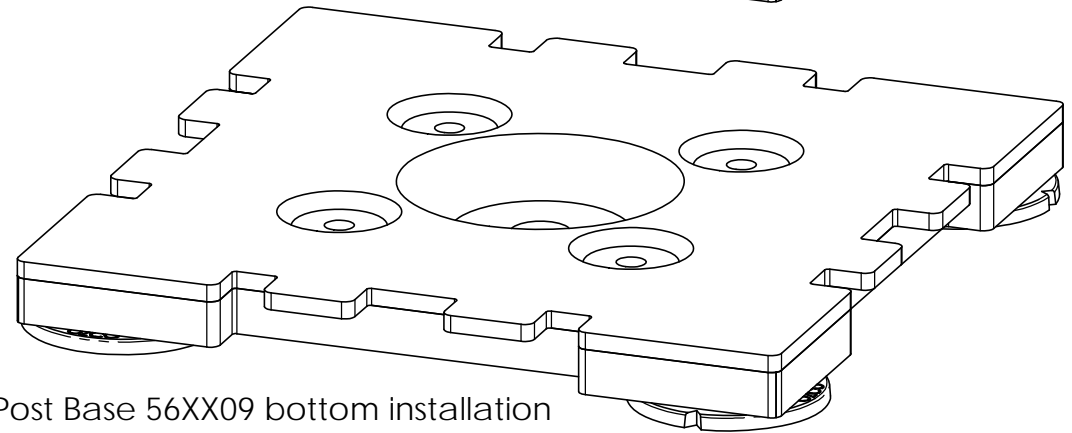
Post Base 5XX08 top installation



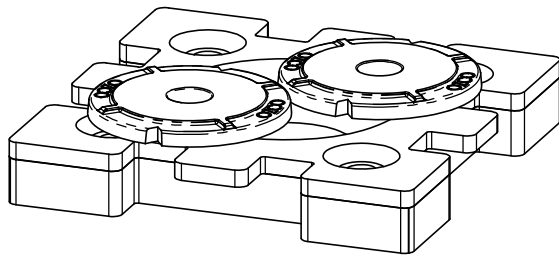
Post Base 5XX08 bottom installation



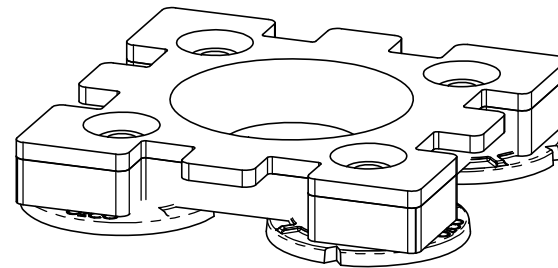
Post Base 5XX09 top installation



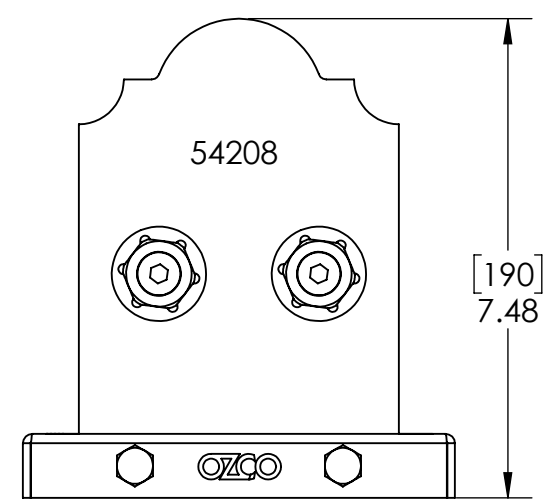
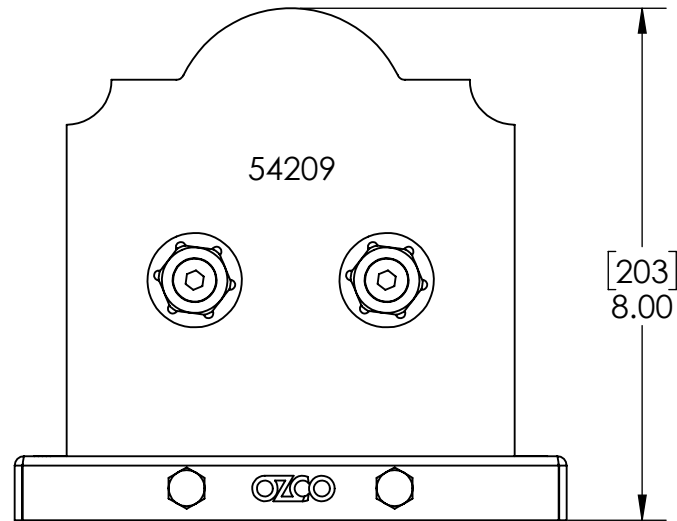
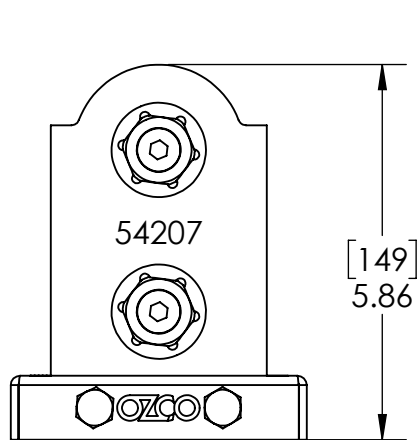
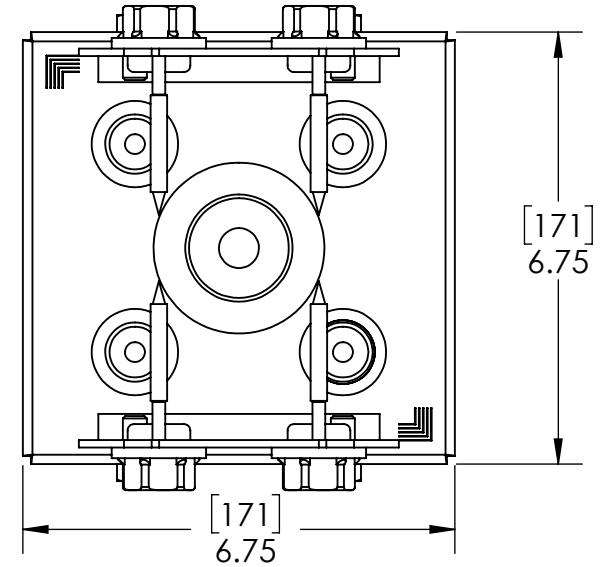
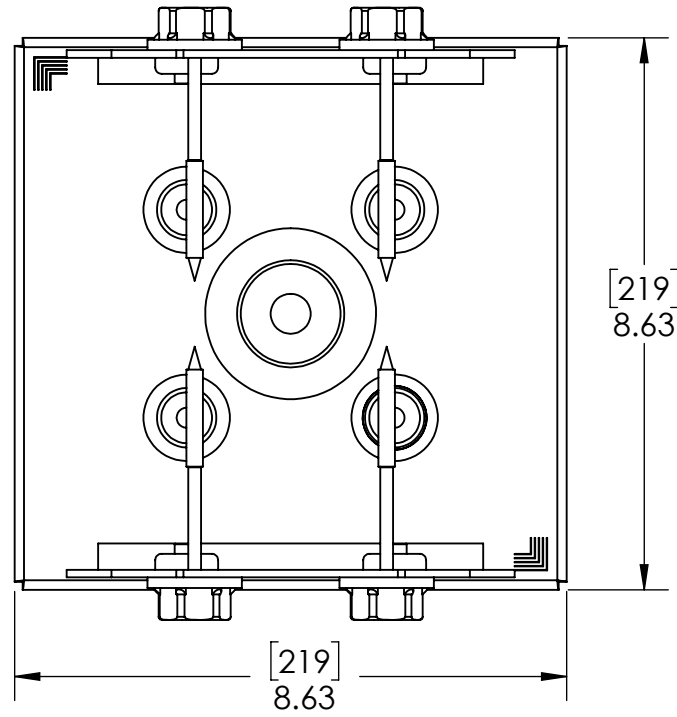
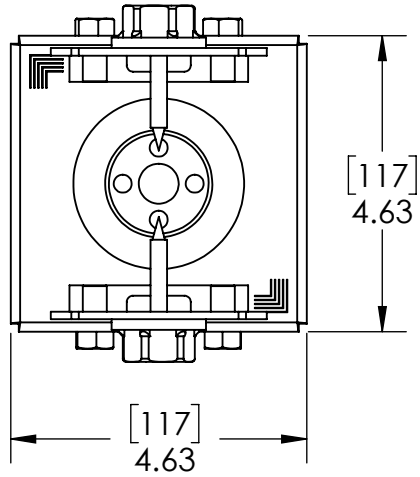
Post Base 5XX09 bottom installation



**Overview 2** Post Base 5XX07 top installation



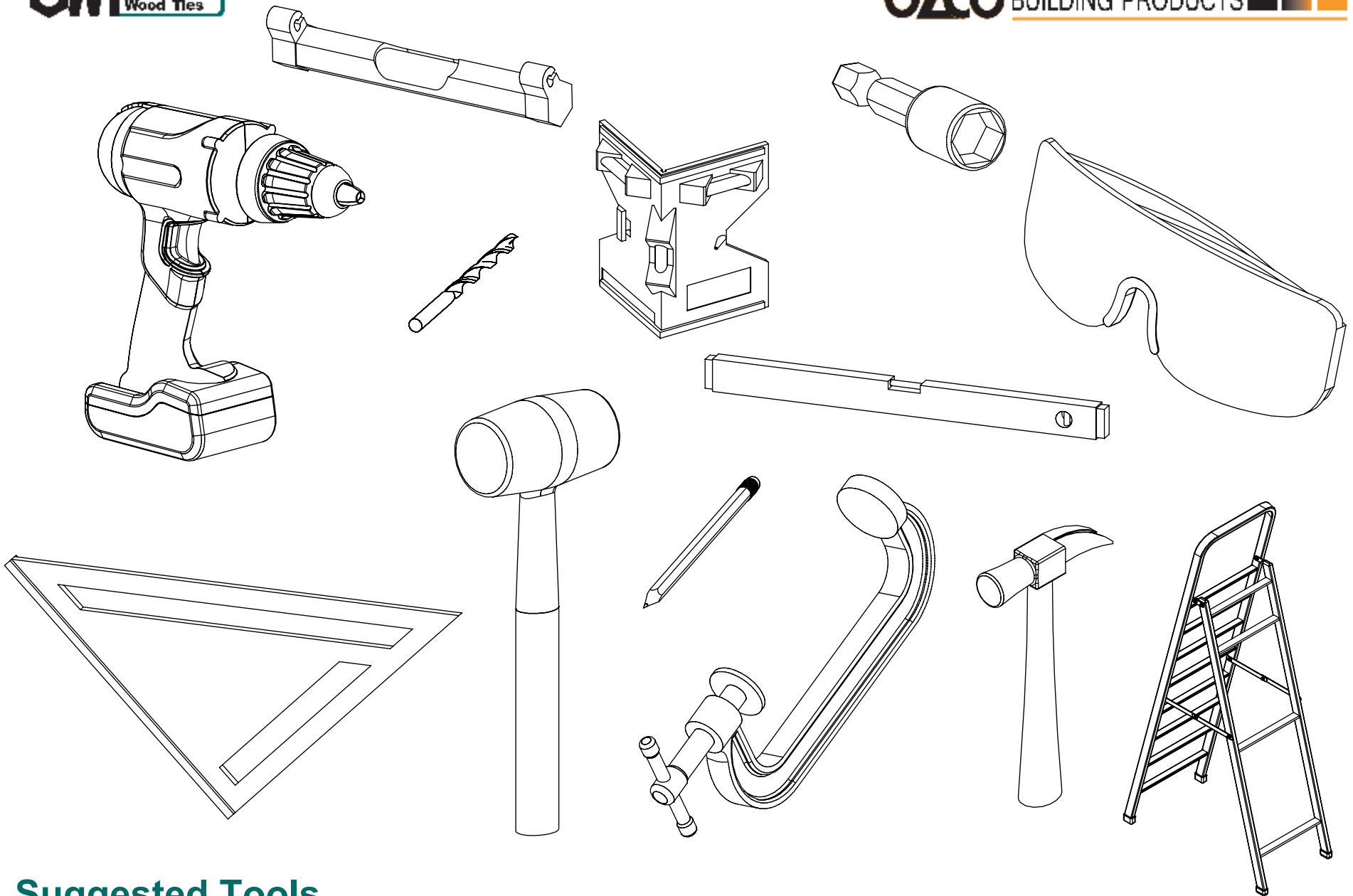
Post Base 5XX07 bottom installation



## Overview

Installation Instructions, Lite Post Bases

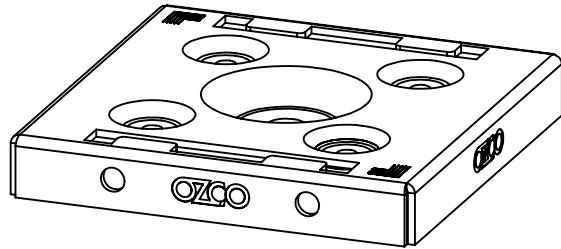




**Suggested Tools**  
(others may be required)

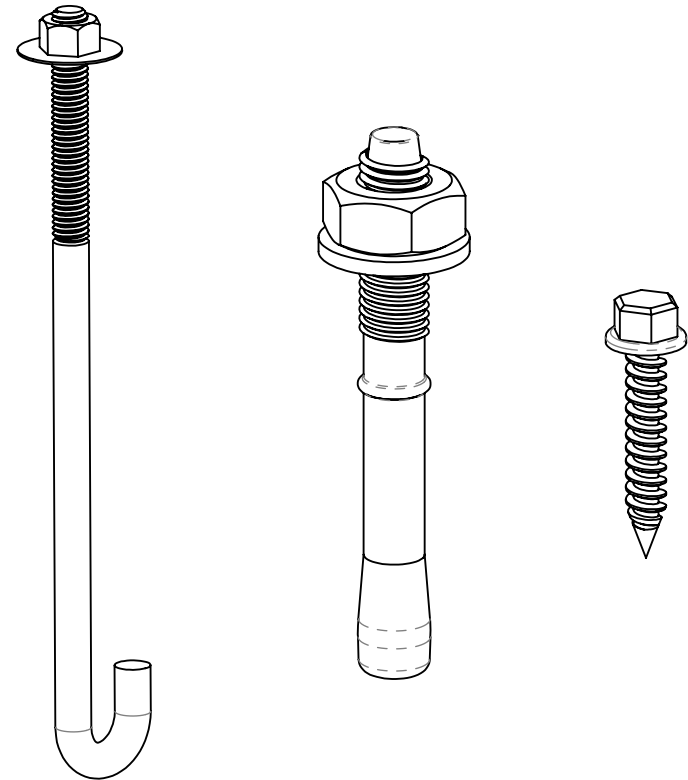
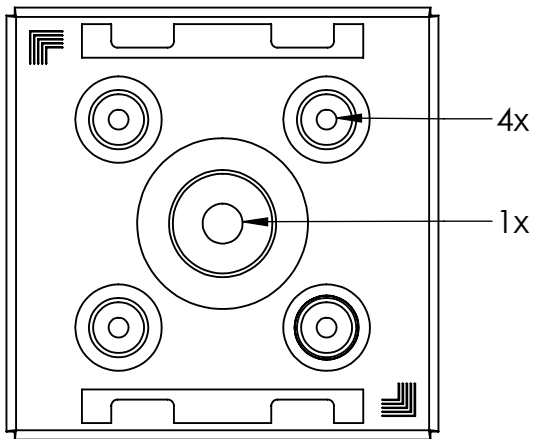
**Installation Instructions, Lite Post Bases**





mount base to surface

6x6 shown



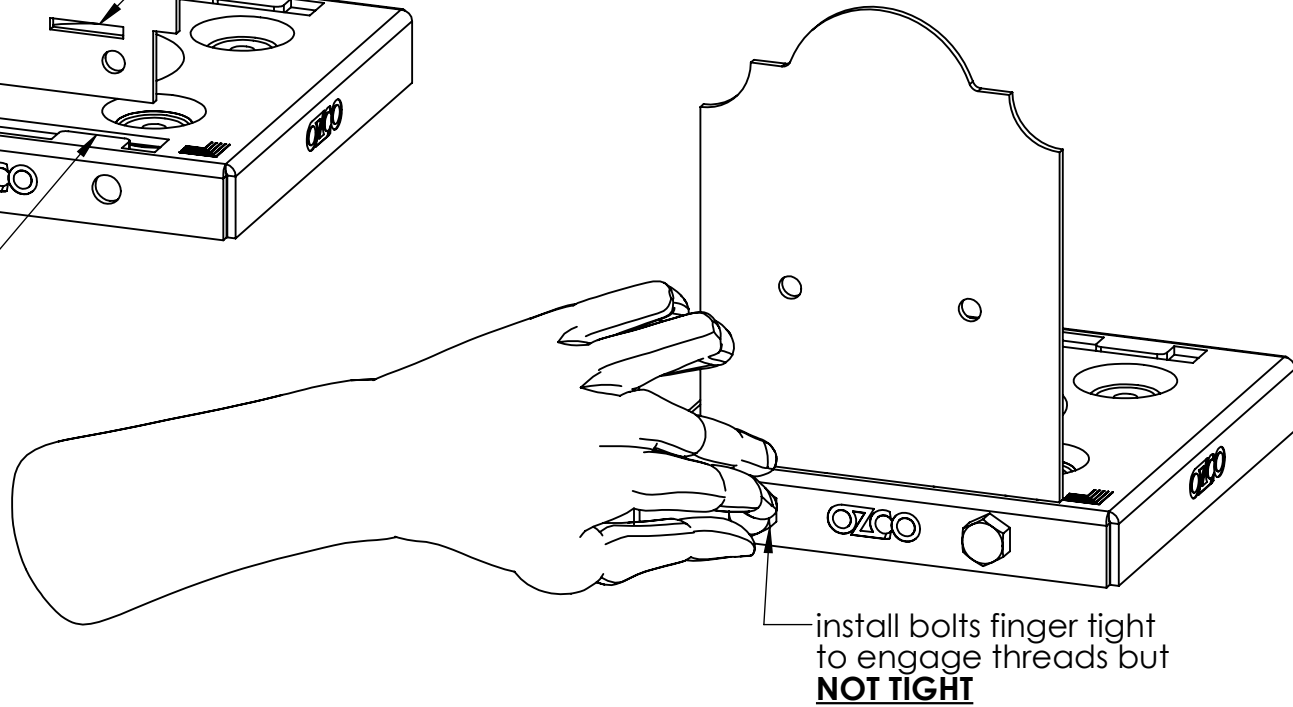
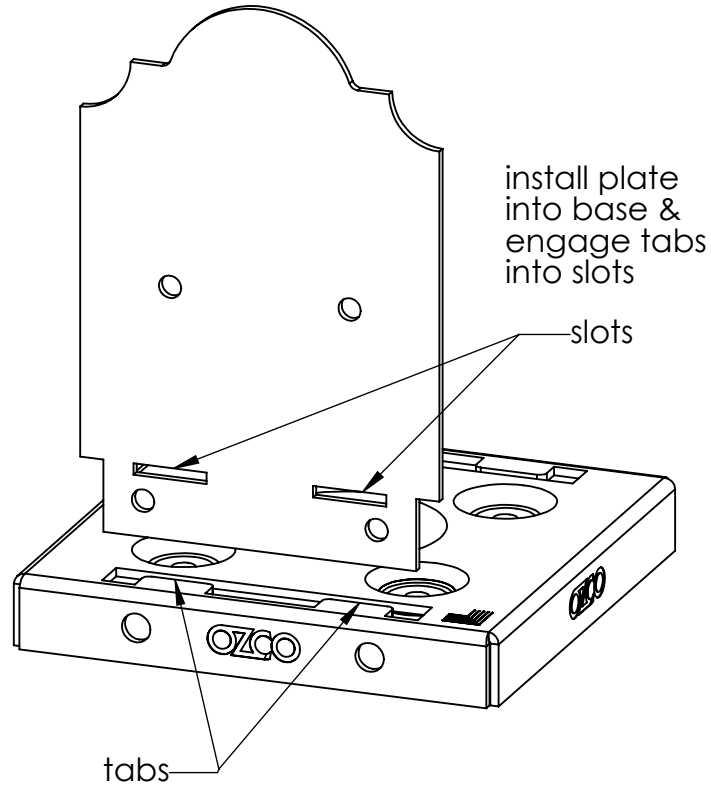
choose fastener that suits your application

## step 1

Installation Instructions, Lite Post Bases

6x6 shown-same process for other sizes

V2.00 - Installation Instructions, Specifications and Project Plans are effective 11/3/2017 . This information is updated periodically and should not be relied upon after 2 years from 11/3/2017 . Please visit [OZCOBP.com](http://OZCOBP.com) to get current information.

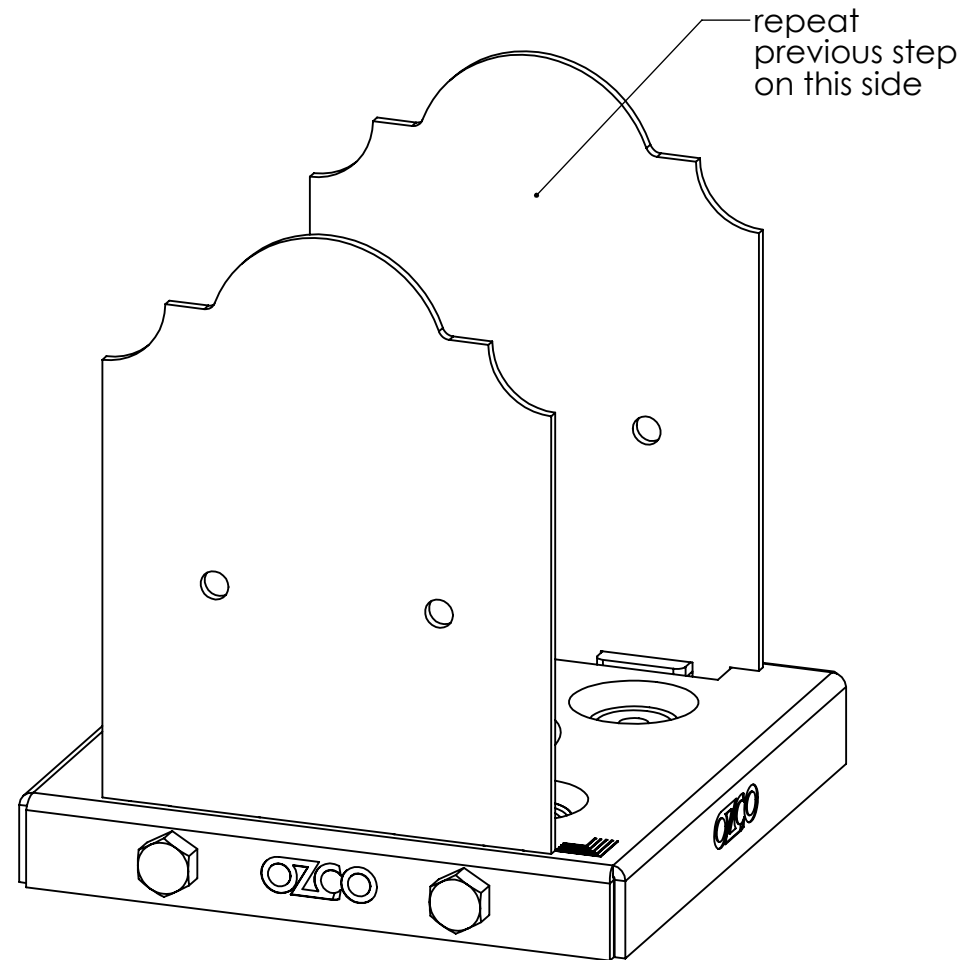


## step 2

Installation Instructions, Lite Post Bases

6x6 shown-same process for other sizes

V2.00 - Installation Instructions, Specifications and Project Plans are effective 11/3/2017 . This information is updated periodically and should not be relied upon after 2 years from 11/3/2017 . Please visit [OZCOBP.com](http://OZCOBP.com) to get current information.

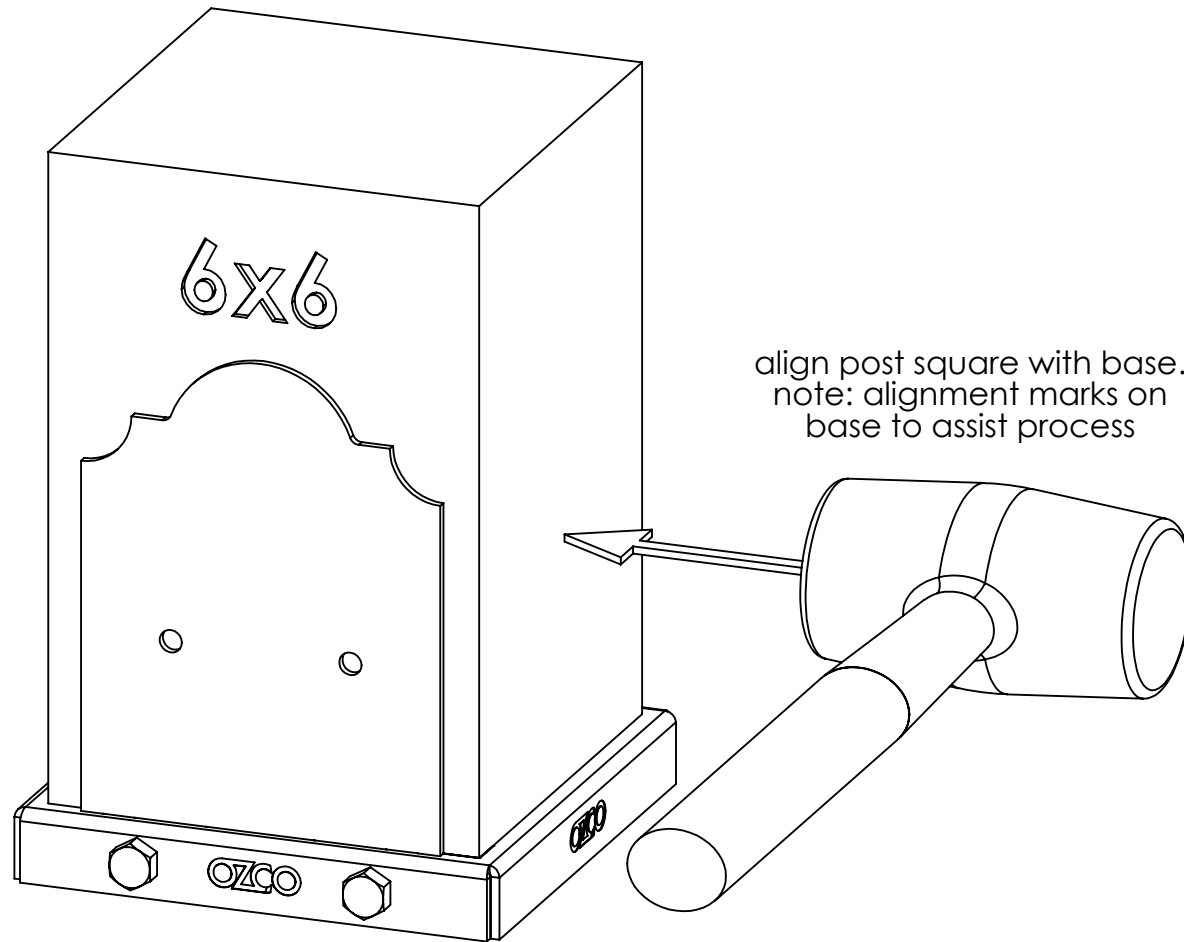


### step 3

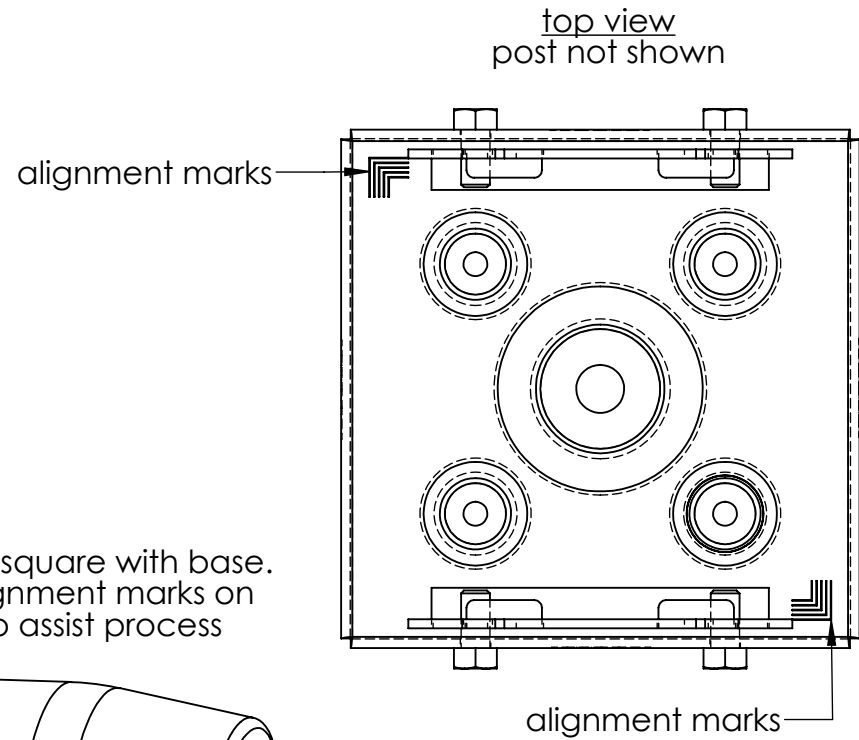
Installation Instructions, Lite Post Bases

6x6 shown-same process for other sizes

V2.00 - Installation Instructions, Specifications and Project Plans are effective 11/3/2017 . This information is updated periodically and should not be relied upon after 2 years from 11/3/2017 . Please visit [OZCOBP.com](http://OZCOBP.com) to get current information.



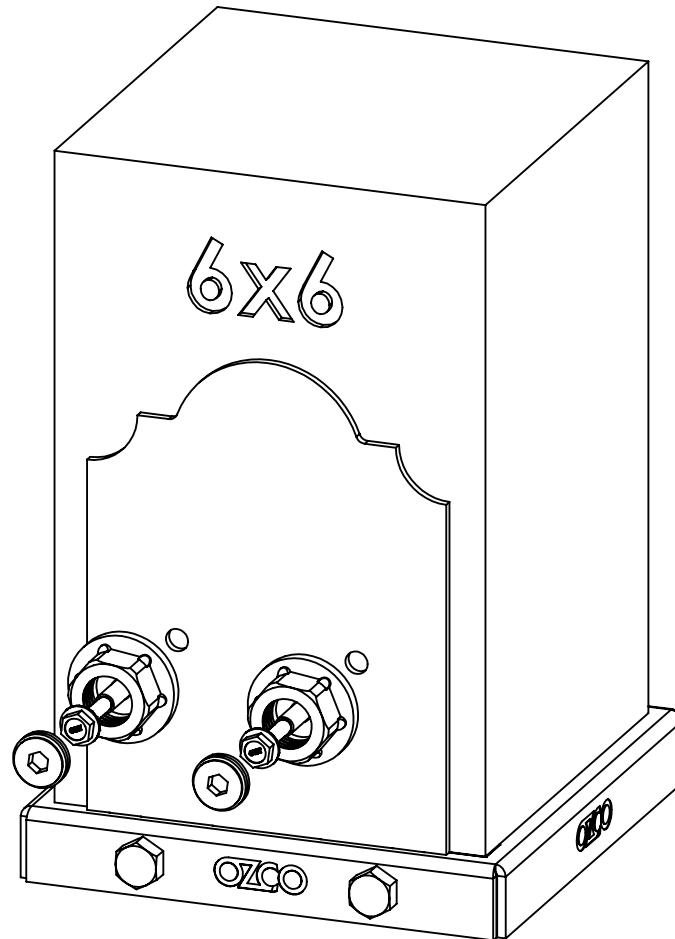
align post square with base.  
note: alignment marks on base to assist process



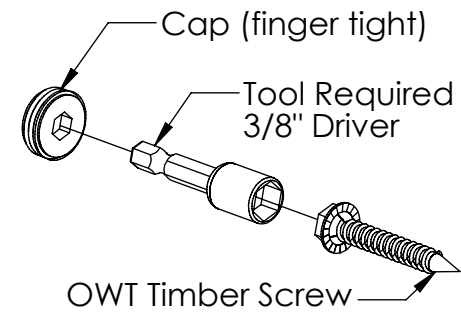
## step 4

Installation Instructions, Lite Post Bases

6x6 shown-same process for other sizes



repeat on opposite side

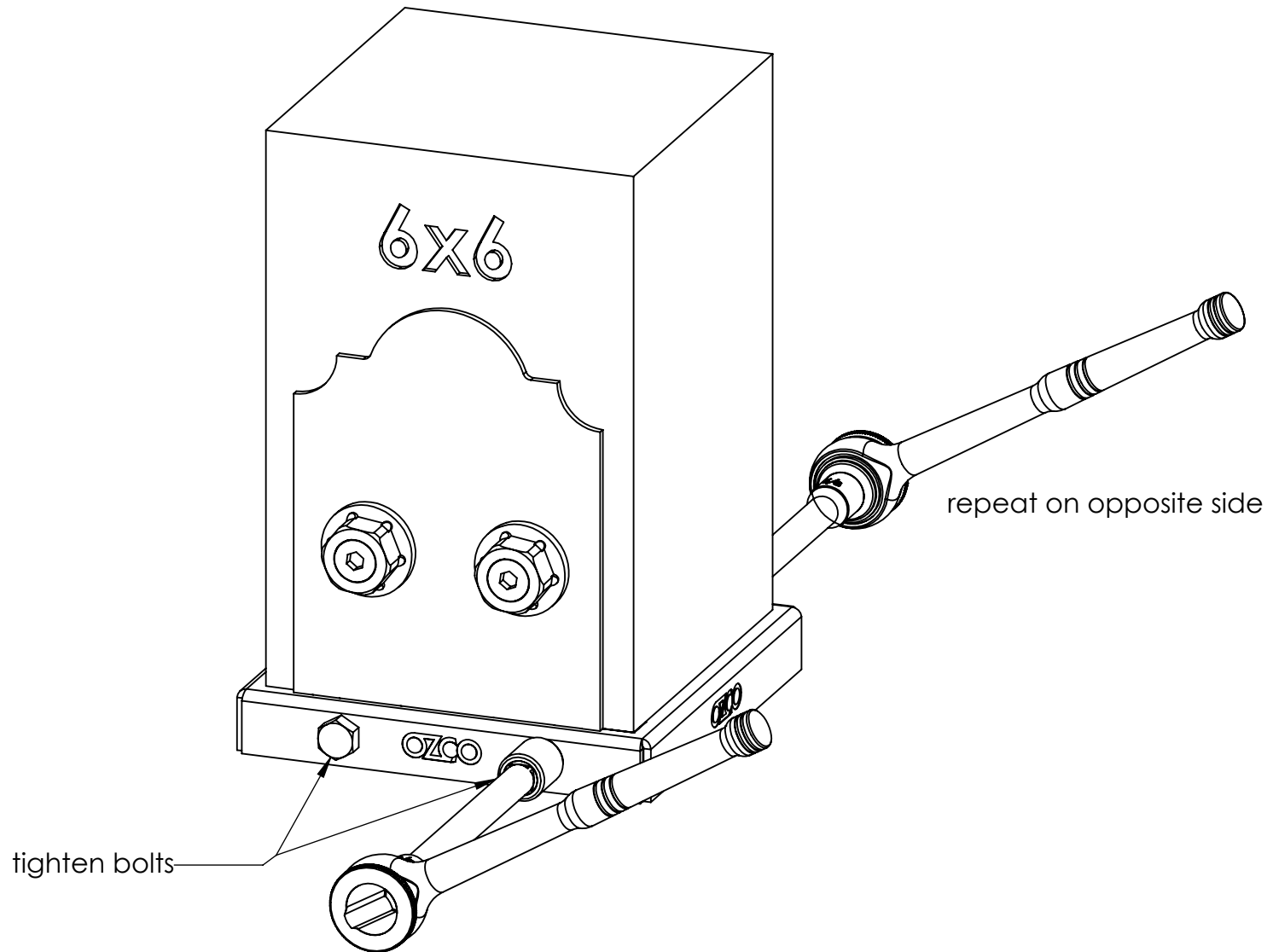


## step 5

Installation Instructions, Lite Post Bases

6x6 shown-same process for other sizes

V2.00 - Installation Instructions, Specifications and Project Plans are effective 11/3/2017 . This information is updated periodically and should not be relied upon after 2 years from 11/3/2017 . Please visit [OZCOBP.com](http://OZCOBP.com) to get current information.



## step 6

Installation Instructions, Lite Post Bases

6x6 shown-same process for other sizes

V2.00 - Installation Instructions, Specifications and Project Plans are effective 11/3/2017 . This information is updated periodically and should not be relied upon after 2 years from 11/3/2017 . Please visit [OZCOBP.com](http://OZCOBP.com) to get current information.