

# Instruction Sheet

## Kit Number: 71514500

### BAGGER ATTACHMENT KIT – 60" DECK



**WARNING: FAILURE TO FOLLOW INSTRUCTIONS** could result in personal injury and/or damage to unit.  
Read, understand, and follow all safety practices in Operator's Manual before beginning.

**IMPORTANT:** This kit is designed to be used with the 815043 Operator's Manual for safety, installation and operating instructions. Retain the manual and these instructions for future reference.

#### Package Contents

Check the contents of your kit for the parts listed below. Also see Figure 1.

Item	Description	Qty	Ariens P/N
1	V-Belt	1	07200728
2	6" OD x 1 1/2" ID V-Pulley	1	07347500
3	Belt Cover with Decal	1	51532000
4	20 1/2" 25-degree Blade	3	04964800
5	Belt Cover Bracket	1	05137051
6	Sheave Retainer	1	05136900
7	Blower Sheave Adapter Assembly	1	05136800
8	49" Bagger Hose	1	04588400
9	5/16"-18 x 1 1/4" Hex Bolt	1	05947500
10	5/16"-18 x 1 1/2" Round Head Square Neck Bolt	1	06212100
11	5/16"-18 Jam Nut	1	06536100
12	Loctite Threadlocker® 243 0.5mL	1	00929203

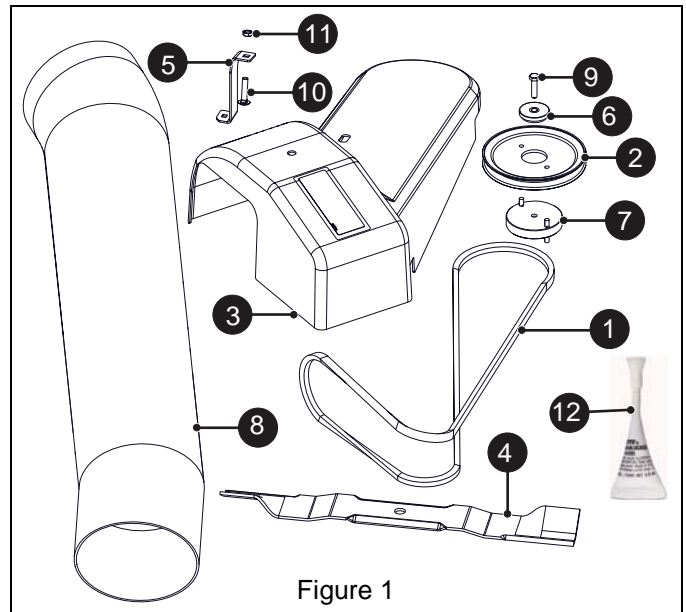


Figure 1

#### REMOVAL

1. Follow discharge chute and belt cover removal steps 1 – 2 in the Operator's Manual.

#### INSTALLATION

##### Install Drive Pulley

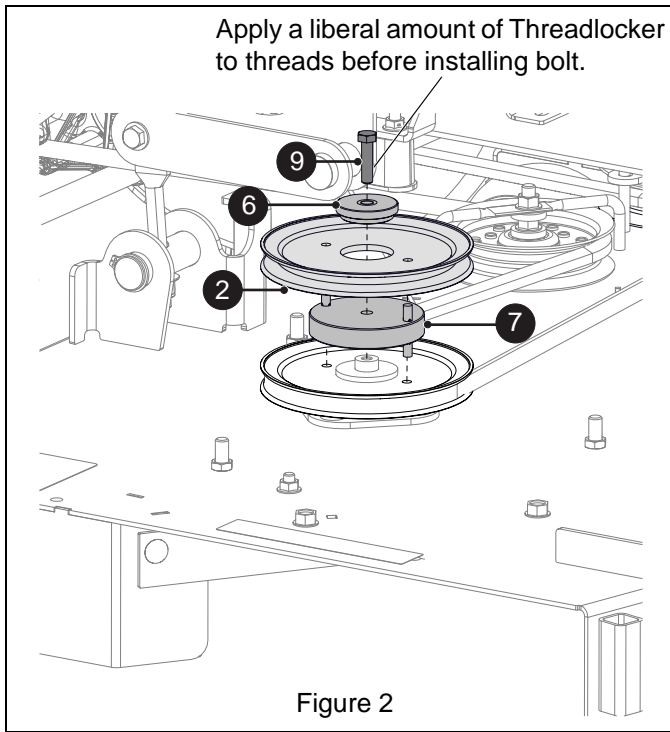
See Figure 2.

1. Align bottom pins of sheave adapter (item 7) with holes in spindle pulley and position adapter on top of sheave. The cupped surface in the adapter faces down.
2. Align holes in v-pulley (item 2) with top pins on spindle adapter and position v-pulley on adapter.
3. Install sheave retainer (item 6) stepped-side down on sheave.
4. Apply a liberal amount of Threadlocker (item 12) to the threads of the 5/16" x 1 1/4" hex bolt (item 9) and install bolt.



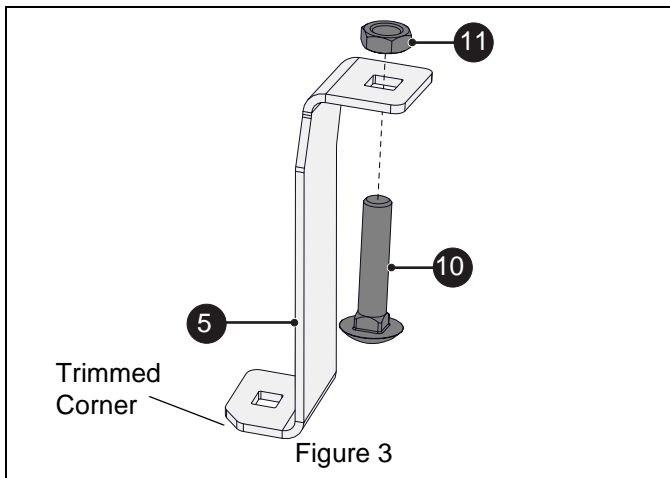
**CAUTION:** Rotating one blade will cause all blades to rotate. Mower blades are sharp. Use heavy gloves or cover blades with tape.

5. Using a sturdy block of wood or other suitable device, block blades from turning and torque hex bolt to 18 N•m – 23 N•m (13 lb-ft – 17 lb-ft).

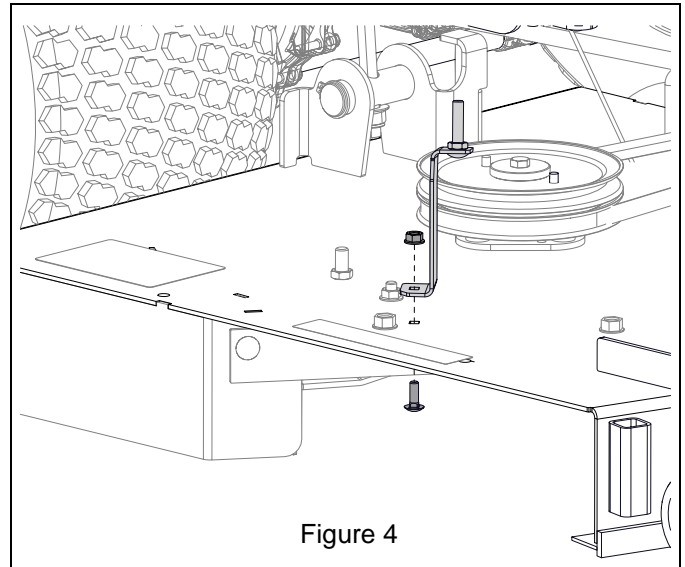


### Install Belt Cover Bracket

1. Install 5/16" x 1 1/2" round head square neck bolt (item 10) in belt cover bracket (item 5) and secure with jam nut (item 11). Bolt is installed in tab without trimmed corner. See Figure 3.



2. Locate 9/32" square hole near discharge opening and remove 5/16" self-tapping screw (if present). Position belt cover bracket assembly on deck at angle shown. Secure using one 1/4" x 3/4" round head square neck bolt and one 1/4" top lock flange hex nut included with main bagger kit. See Figure 4.

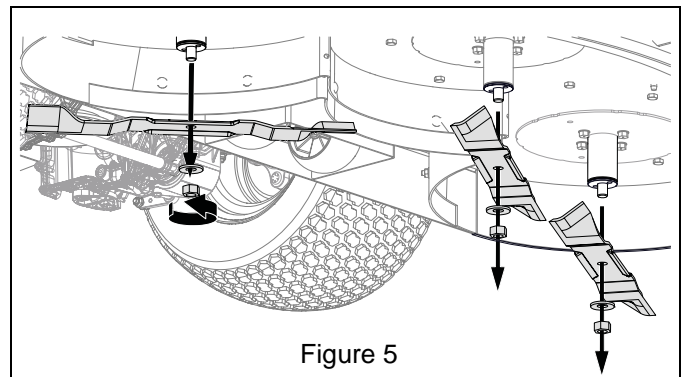


### REMOVE MOWER BLADES



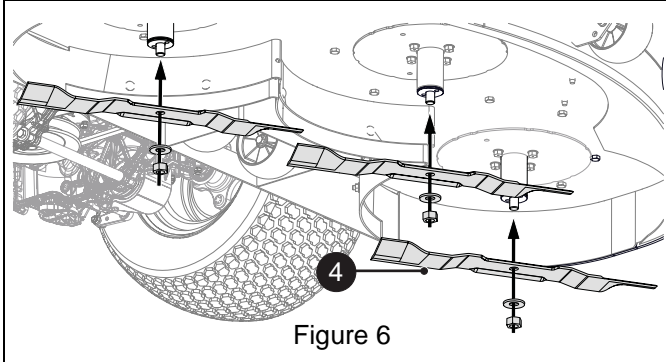
**CAUTION:** Mower blades are sharp. Use heavy gloves or cover blades with tape.

1. Remove and retain hex nuts and Belleville washers retaining mower blades. Note orientation of washers for installation. Retain hardware. Retain blades for operation without bagger. See Figure 5.



## INSTALL MOWER BLADES

1. Install three 25-degree blades (item 2) using hardware removed earlier. Ensure that cupped surface of Belleville washers face upward.
2. Using a sturdy block of wood or other suitable device, block blades from turning and torque nuts to 136 N•m – 163 N•m (100 lb-ft – 120 lb-ft). See Figure 6.



## COMPLETE BAGGER INSTALLATION

Refer to the Operator's Manual for Model 815043 for remaining installation, operation and safety instructions.