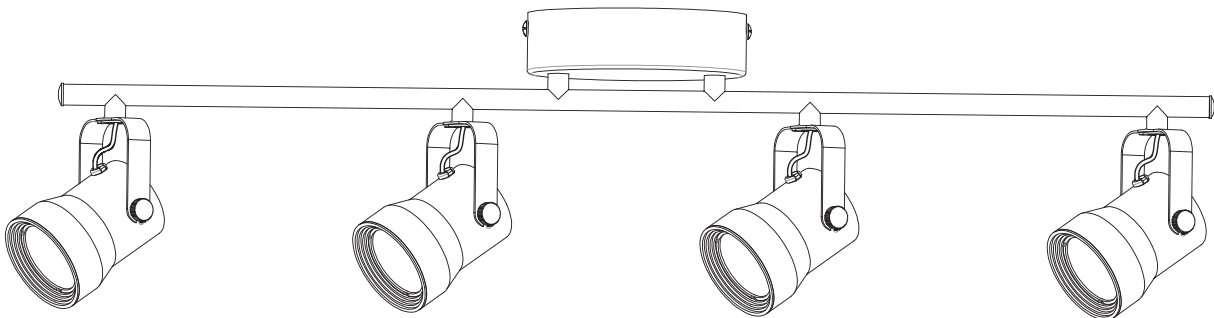




SKU #1001573393 (BZ)
UPC #847658010100 (BZ)

USE AND CARE GUIDE

LED 4-LIGHT DIMMABLE FIXED TRACK LIGHTING KIT STRAIGHT BAR METAL SHADE (BRONZE FINISH)



Questions, problems, missing parts? Before returning to the store,
call Hampton Bay Customer Service
8 a.m. – 7 p.m., EST, Monday – Friday, 9 a.m. – 6 p.m., EST, Saturday

1-855-HD-HAMPTON

HAMPTONBAY.COM

MODEL#: 17203S4

THANK YOU

We appreciate the trust and confidence you have placed in Hampton Bay through the purchase of this dimmable light. We strive to continually create quality products designed to enhance your home. Visit us online to see our full line of products available for your home improvement needs. Thank you for choosing Hampton Bay!

Table of Contents

Table of Contents	2
Safety Information	2
Warranty	3
Pre-Installation	3
Planning Installation	3

Tools Required	3
Hardware Included	3
Package Contents	4
Installation	5
Troubleshooting	6

Safety Information

Read these installation instructions and review the diagrams thoroughly before installing this light. Save these instructions for future reference.

- This light fixture is rated at 120V/60Hz, 230mA, 21W.
- Ceiling-mount only installation.



WARNING: This product must be installed in accordance with the applicable installation code by a person familiar with the construction and operation of the product and the hazards involved.



WARNING: Deviation from the assembly instructions may result in a risk of fire or electric shock.



WARNING: This equipment has been tested and found to comply with the limits for a Class B digital device pursuant to Part 15 of the FCC Rules and ICES-005 of the IC Rules. These limits are designed to provide reasonable installation protection. This equipment generates and can radiate radio frequency energy and, if not installed and used in accordance with the instructions, may cause harmful interference.

However, there is no guarantee that interference will not occur in a particular installation. If this equipment does cause harmful interference to radio or television reception, which can be determined by turning the equipment off and on, the user is encouraged to try to correct the interference by one or more of the following measures:

- Reorient or relocate the receiving area.
- Increase the separation between the equipment and the receiver.
- Connect the equipment into a different outlet and circuit from the receiver outlet and circuit.
- Consult the dealer or an experienced radio/TV technician for help.



WARNING: Changes or modification to this unit not expressly approved by the party responsible for compliance could void the user's authority to operate the equipment.



WARNING: Do not operate this fixture with a missing or damaged cover or housing.



WARNING: Do not mount this fixture near a heat source which may damage this fixture.



WARNING: Ensure the electricity is shut off before you install or work on this light. Either remove the fuse or turn off the circuit breaker.



CAUTION: For indoor and dry location use only. Do not install in damp or wet locations.



CAUTION: The LED cannot be replaced. Do not dismantle the fixture. There are no user serviceable parts inside.



CAUTION: Do not stare directly into the LED light.



CAUTION: Do not touch the fixture when the light source is ON.



CAUTION: Risk of fire. Consult a qualified electrician to ensure correct branch circuit conductor. Min 90° supply conductors.

Warranty

LIMITED WARRANTY

The manufacturer warrants this product to be free from defects in materials and workmanship for a period of five (5) years from date of purchase. This warranty applies only to the original consumer purchaser and only to products used in normal use and service. If this product is found to be defective, the manufacturer's only obligation, and your exclusive remedy, is the repair or replacement of the product at the manufacturer's discretion, provided that the product has not been damaged through misuse, abuse, accident, modifications, alterations, neglect, or mishandling. This warranty shall not apply to any product that is found to have been improperly installed, set-up, or used in any way not in accordance with the instructions supplied with the product. This warranty shall not apply to a failure of the product as a result of an accident, misuse, abuse, negligence, alteration, or faulty installation, or any other failure not relating to faulty material workmanship. The manufacturer specifically disclaims any liability and shall not be liable for any consequential or incidental loss or damage, including labor/expense costs involved in the replacement or repair of said product.

Contact the Customer Service Team at 1-855-HD-HAMPTON or visit www.HAMPTONBAY.com.

Pre-Installation

PLANNING INSTALLATION

Before you begin installation, check to ensure all parts listed in the Hardware Included and Package Contents sections are contained within the packaging and that there is no damage to any of the parts.

TOOLS REQUIRED



Phillips
screwdriver

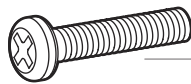
HARDWARE INCLUDED



NOTE: Hardware not shown to actual size.



AA

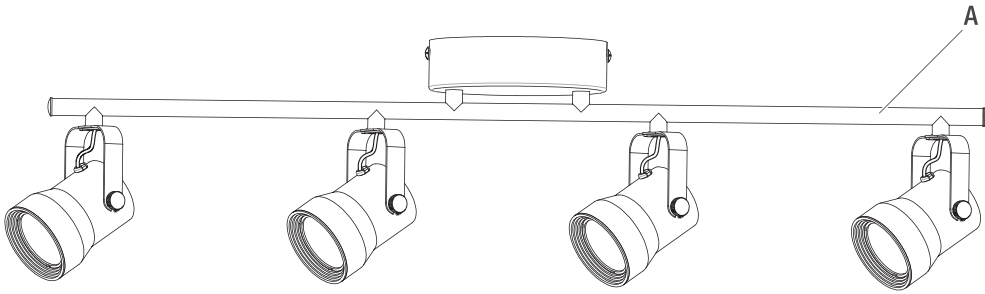


BB

Part	Description	Quantity
AA	Wire connector	3
BB	Outlet box screw	2

Pre-Installation (continued)

PACKAGE CONTENTS



Part	Description	Quantity
A	Light fixture	1

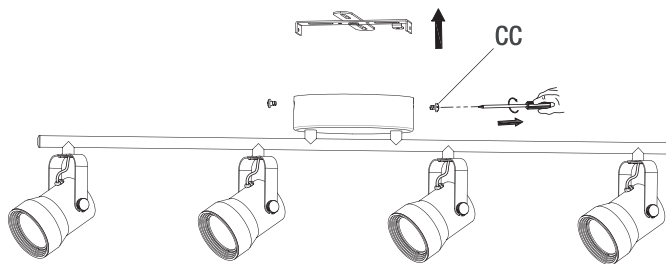
Installation

1 Preparing the fixture for installation



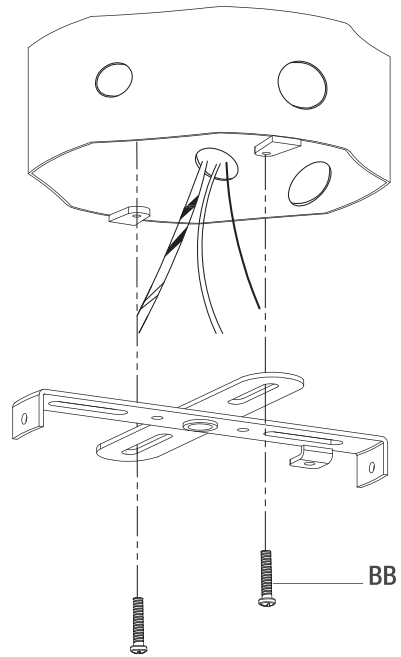
NOTE: The edge of the canopy might be sharp. Please be careful or wear a glove when installing.

- Remove the two preassembled screws (CC) from the canopy to release the mounting bracket. Retain the screws (CC) as you will use them to install the canopy/fixture to the ceiling. There are no additional screws (CC) in the package.



2 Installing the mounting bracket

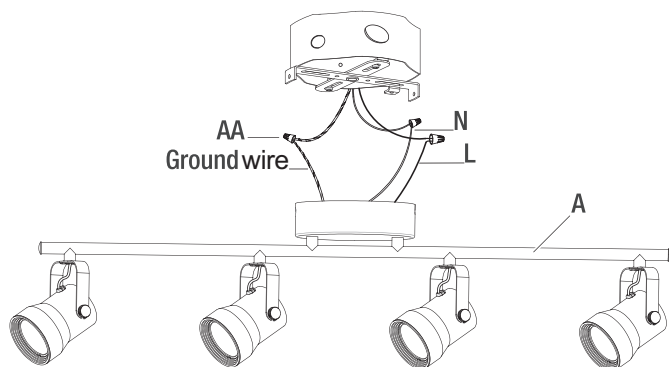
- Secure the mounting bracket to the outlet using the outlet box screws (BB). Pull the wires from the outlet for wire connection in the next step.



Installation (continued)

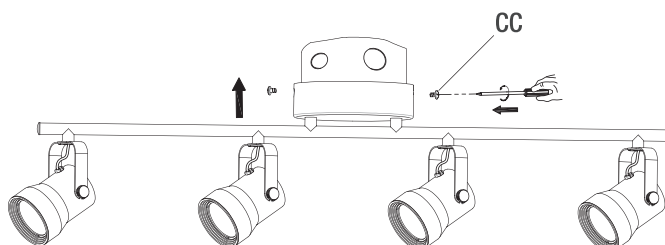
3 Making the electrical connections

- Connect the white wire (N) from the supply circuit to the white wire (N) from the fixture (A).
- Connect the black wire (L) from the supply circuit to the black wire (L) from the fixture (A).
- Connect the ground wire from the supply circuit to the ground wire of the fixture (A).
- Secure the connections with wire connectors (AA).



4 Securing the fixture

- Attach the fixture (A) to the mounting bracket with the four previously removed screws (CC). Secure the fixture with the screws (CC).
- Adjust the lighting heads to your desired positions.



This fixture is dimmable and compatible with these dimmers sold at The Home Depot.

- Make sure the lights are in a single loop and a single pole with the dimmers, and the total wattage of the lights do not exceed the dimmer wattage capacity. Please refer to wattage capacity on the dimmer packaging.
- Please contact customer service if you have any further questions on the lights or dimmers.

(Model#/SKU#):

- Lutron brand: DVWCL-153PH-WH / 530826; CTCL-153PDH-WH / 267858; TGCL-153PH-WH / 527401; S-600PR-WH / 396682
- Leviton brand: R62-06683-0IW / 534006

Troubleshooting

If the product fails to operate normally, please check wire connections and the switch or call a professional electrician to check the circuit.



Questions, problems, missing parts? Before returning to the store,
call Hampton Bay Customer Service
8 a.m. – 7 p.m., EST, Monday-Friday, 9 a.m. – 6 p.m., EST, Saturday

1-855-HD-HAMPTON

HAMPTONBAY.COM

Retain this manual for future use.