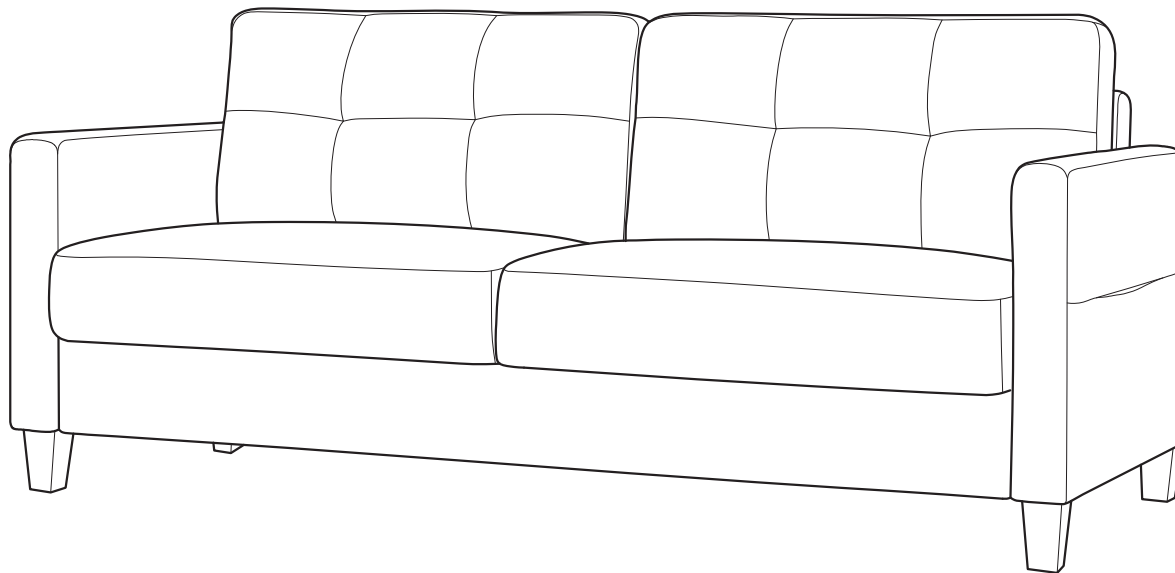




LIFESTYLE
S O L U T I O N S

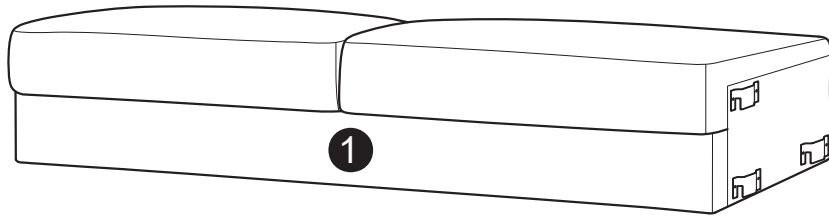
SOFA ASSEMBLY INSTRUCTIONS



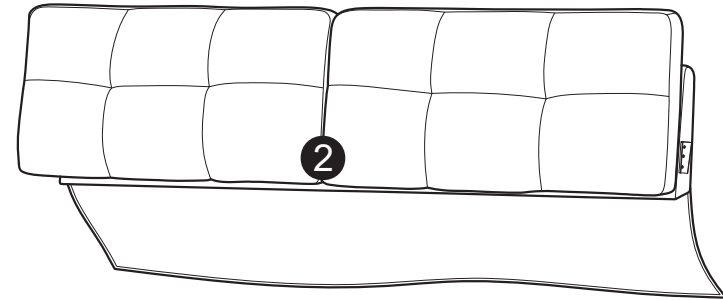
WARNING

- This product has been designed for seating three (3) average adults. To prevent injury and damage to this unit, PROHIBIT jumping on it.
- This product is designed for home use and not intended for commercial use.
- Children under the age of 5, small infants and babies should not sleep alone on this product for safety reasons.
- Recommended # of people needed for handling: 2 (however it is always better to have an extra hand.)
- THIS INSTRUCTION BOOKLET CONTAINS **IMPORTANT** SAFETY INFORMATION. PLEASE READ AND KEEP FOR FUTURE REFERENCE.

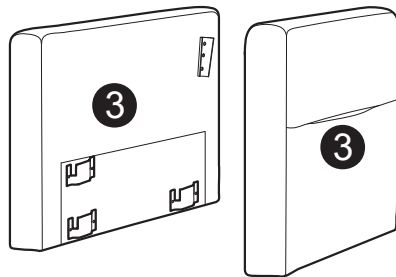
PARTS



Sofa Body
QTY:1



Backrest
QTY:1
(In the storage underneath of sofa body)



Arm
QTY:1 Pair
(In the storage underneath of sofa body)

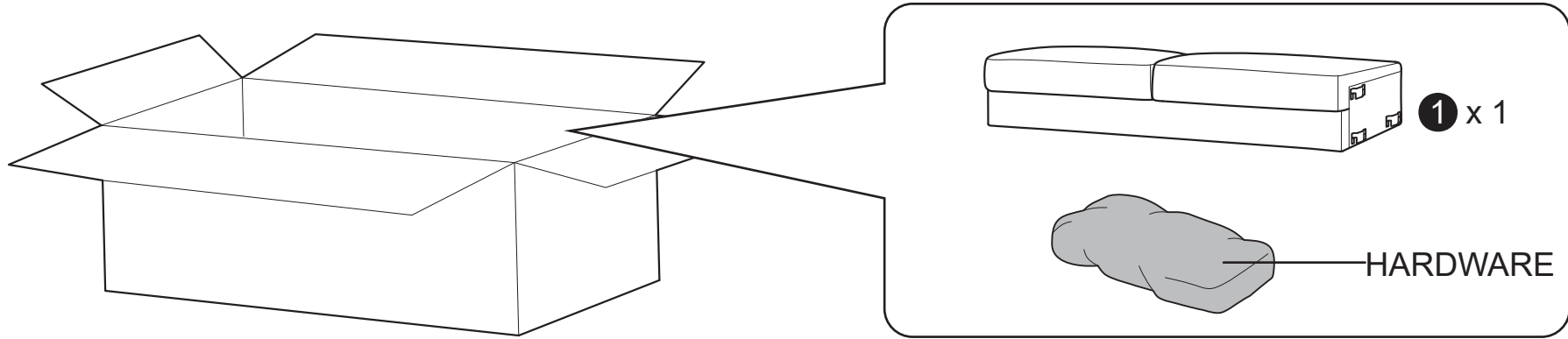


Leg
QTY:4

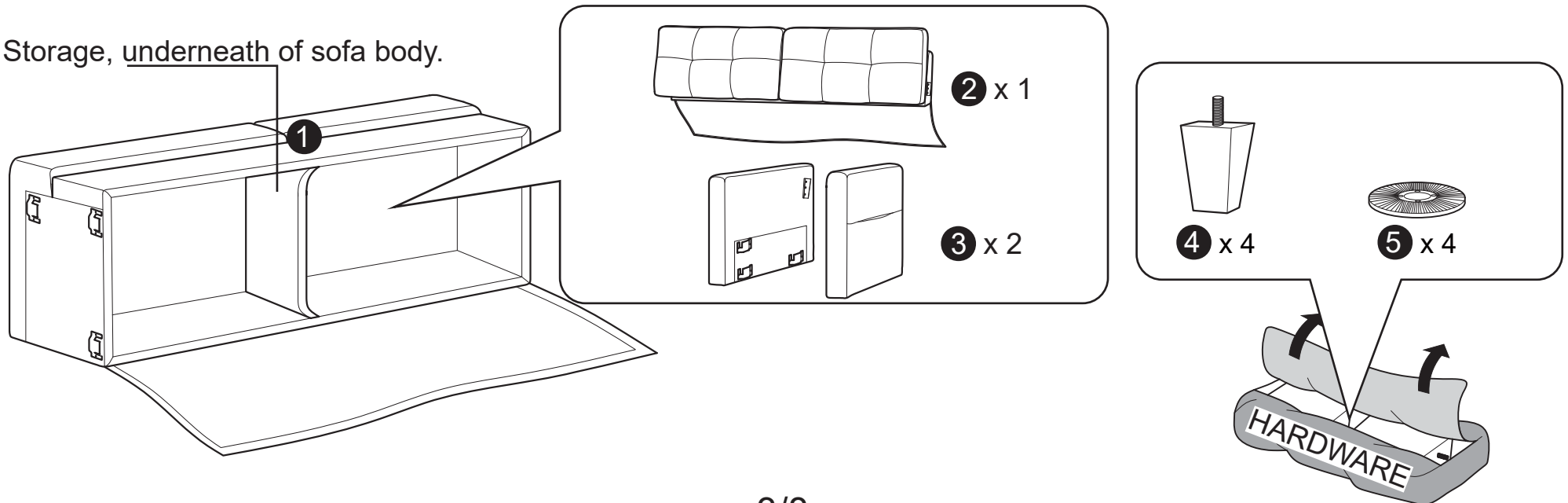


M10 Washer
(Outer Dim. 45mm)
QTY:4

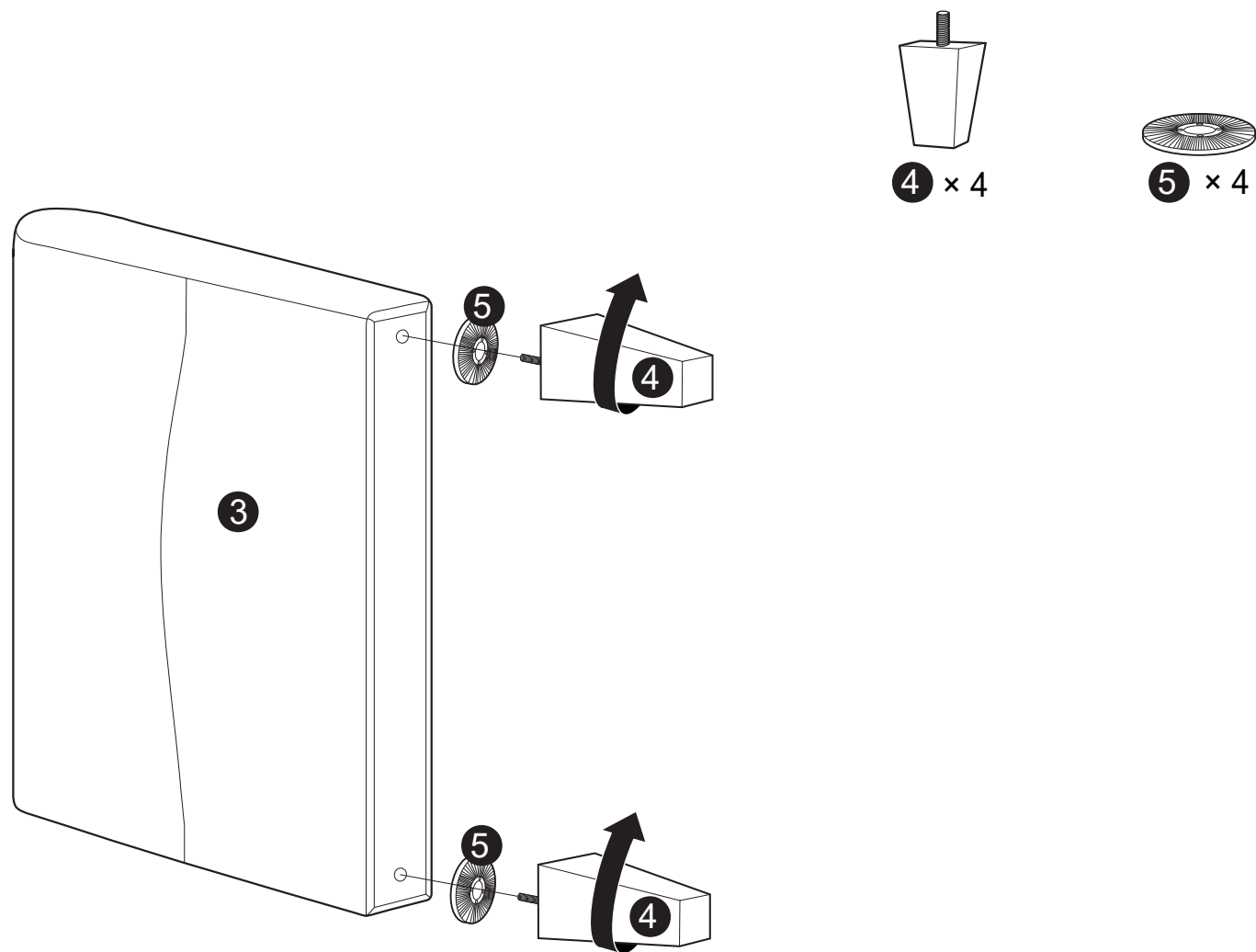
Step 1 : Carefully unpack parts/hardware from box and storage of seat body, place on a clean flat surface.



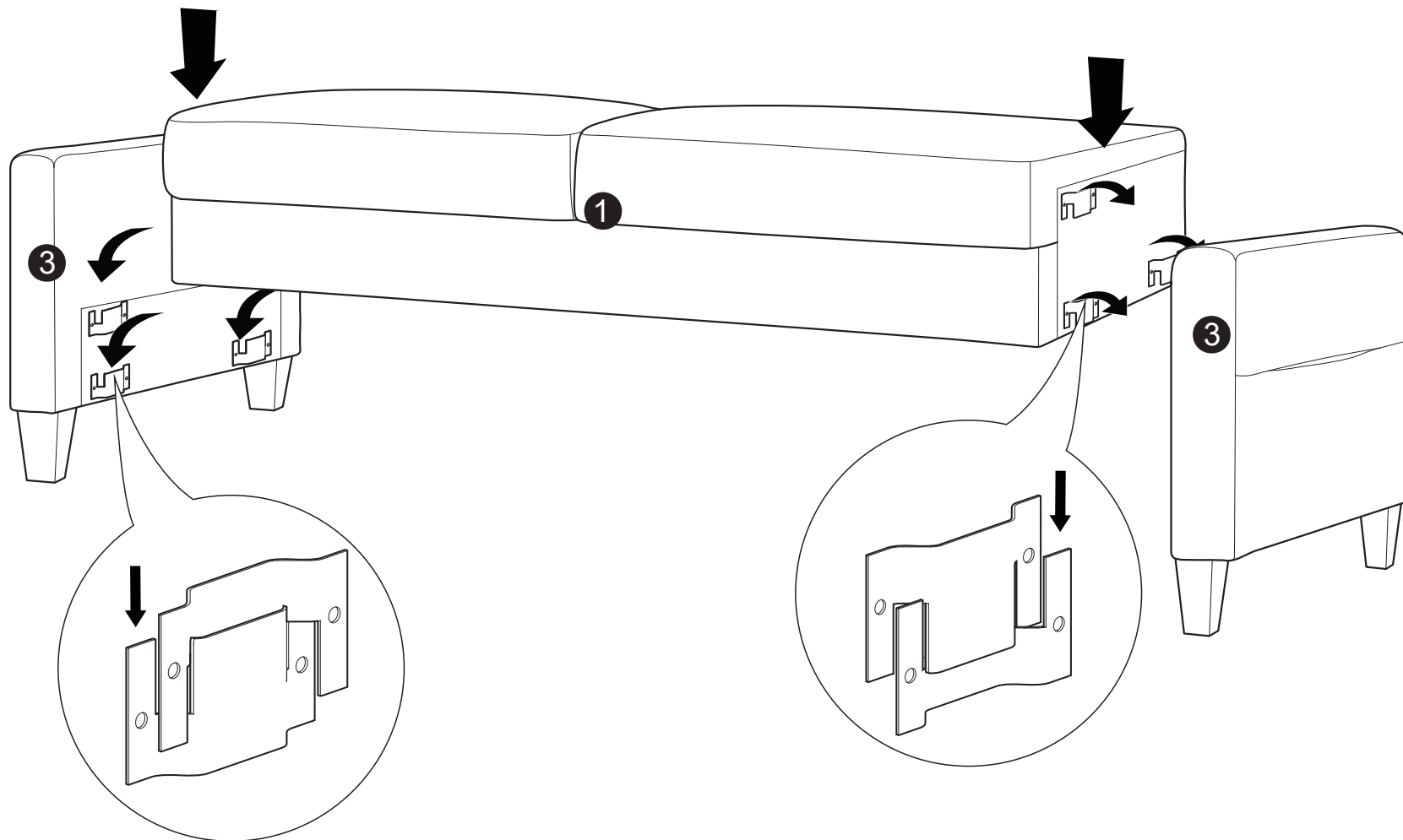
Storage, underneath of sofa body.



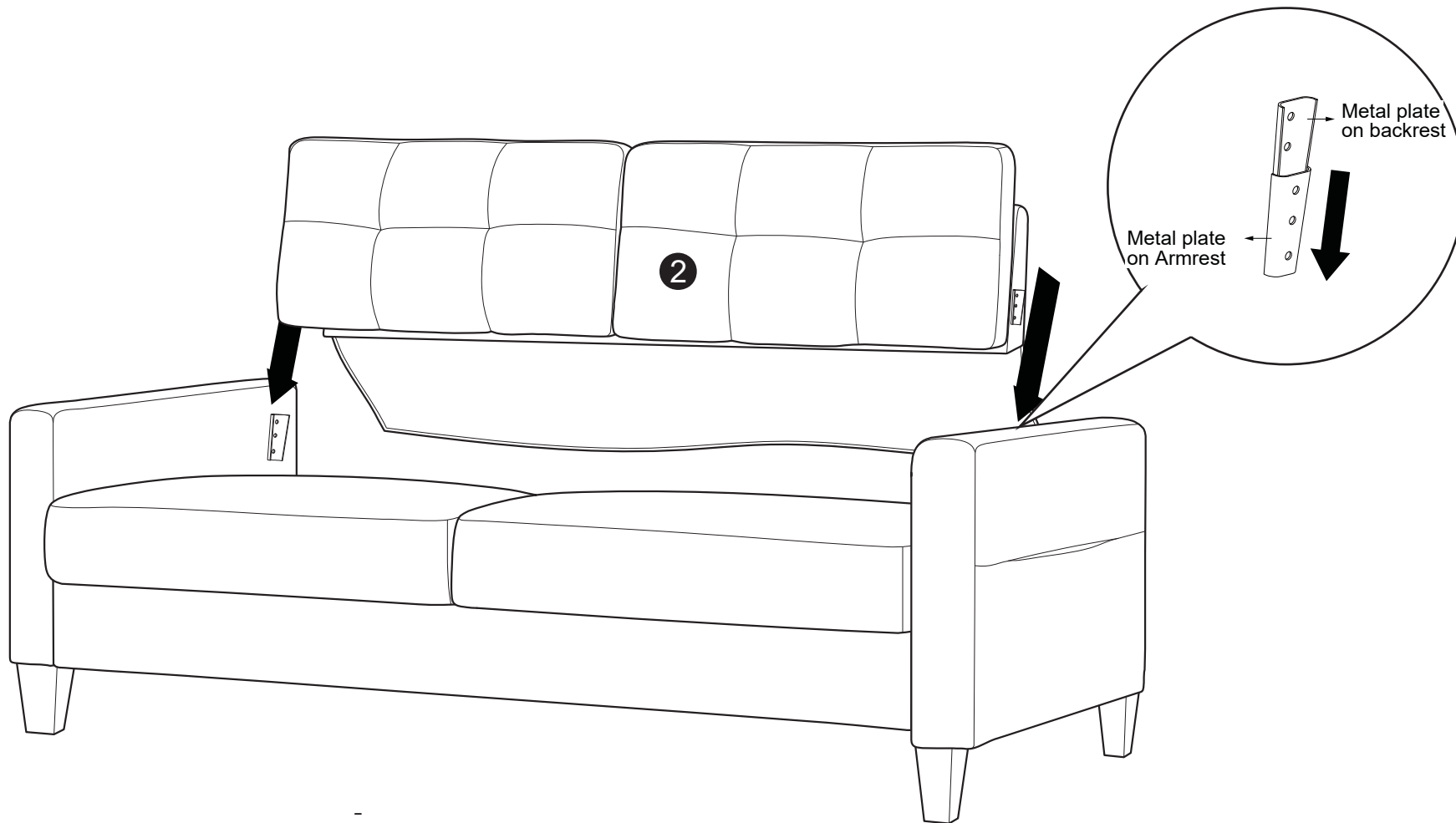
Step 1 : Place both arms as shown below, secure two legs and plastic washers into pre-drilled holes on the bottom of arms. Please avoid overtightening.



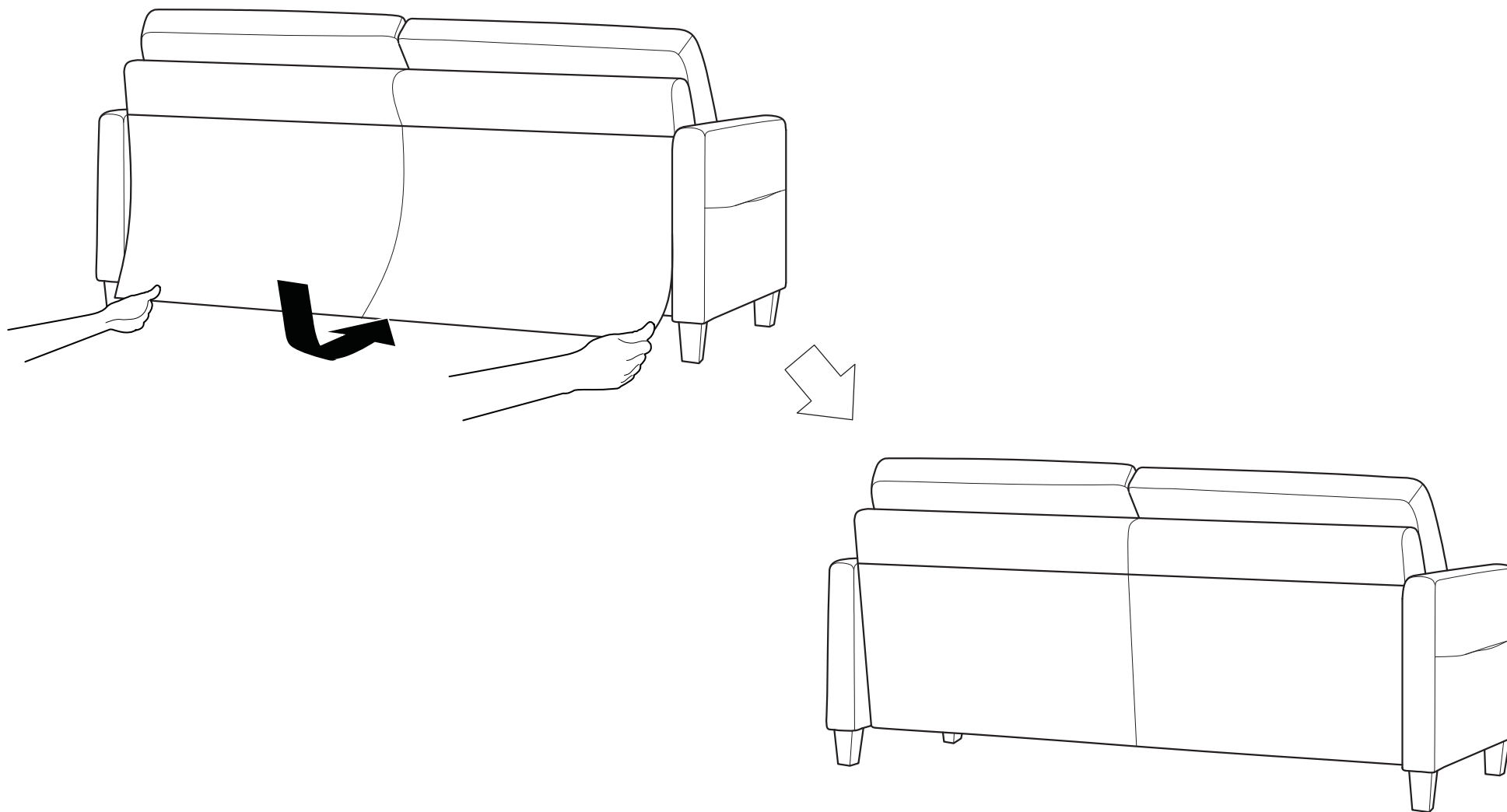
Step 2 : Carefully lift and turn assembled arms onto its legs. Insert seat body metal plates to both arms as shown below. Ensure it is correctly in place.



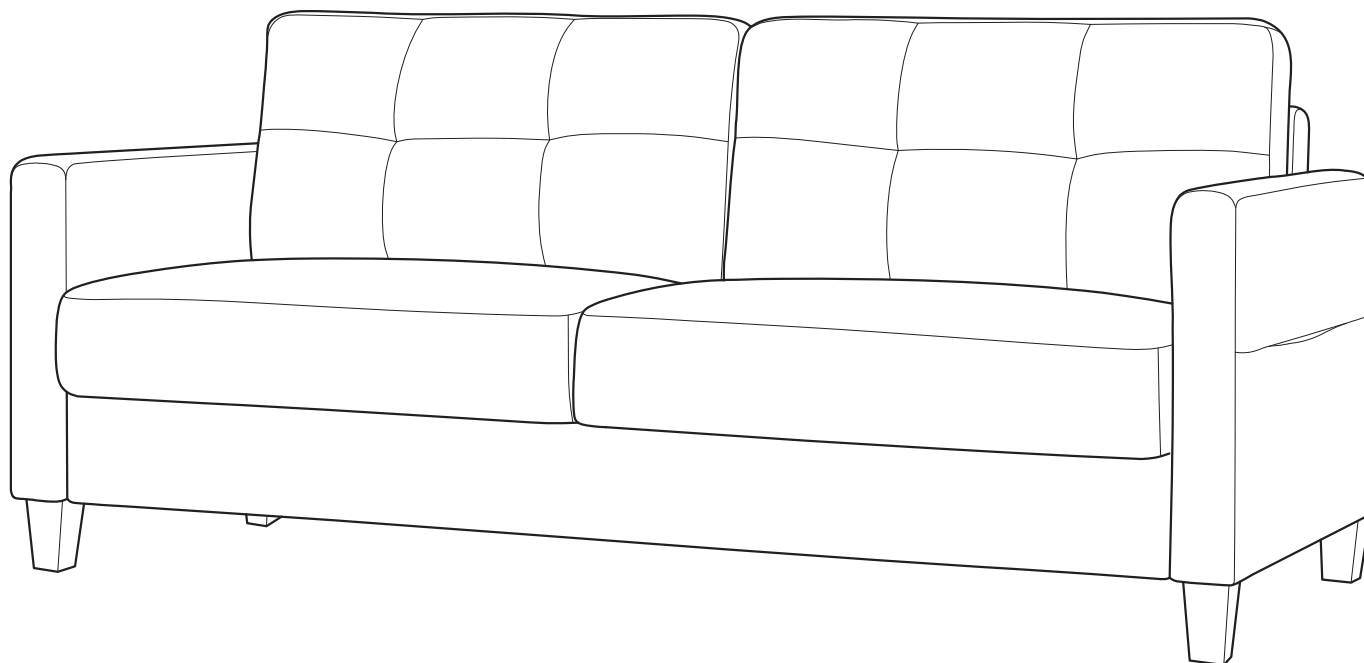
Step 4 : Insert backrest metal plates to both arms as shown below. Ensuring it is correctly in place.



Step 4: Finally, stretch and pull down rear cover evenly before securing velcro strip to seat base. Repeat if necessary for better fit.



INSTALLATION COMPLETE :



Need assistance?

Please call :

866-626-7826

For prompt, reliable service; please have your assembly manual ready.