

# Assembly & Installation Instructions

**CAUTION:** Read instructions carefully and turn electricity off at main circuit breaker panel before beginning installation.

## 3814-77FA

**WARNING** - If any Special Control Devices are used with this Fixture, Follow the Instructions Carefully to assure full compliance with N.E.C. requirements. If there are any questions, contact a Qualified Electrical Contractor.

**CAUTION** - All glass is fragile, use care when handling Glass component(s) and or Lamp(s).

**WARNING** - This product contains chemicals known to the State of California to cause cancer, birth defects and /or other reproductive harm. Thoroughly wash hands after installing, handling, cleaning, or otherwise touching this product.

### FAST ATTACH ASSEMBLY STEPS:

1. SEE INSTRUCTION SHEET NO. 93016217
2. O → P,Q
3. M → N
4. J → M
5. CLOSE LINKS G & J
6. T → U
7. GG,HH,AA → Z
8. S,R,FF,W,X,Y → V
9. BB,II,CC → AA
10. DD,EE → AA

See FAST ATTACH INSTRUCTION SHEET.  
Ver la HOJA de INSTRUCCIÓN RÁPIDA de la FIJACIÓN.  
Voir la FEUILLE D'INSTRUCTION RAPIDE D'ATTACHE.

See Step 12.  
Vea el paso 12.  
Voir l'étape 12.

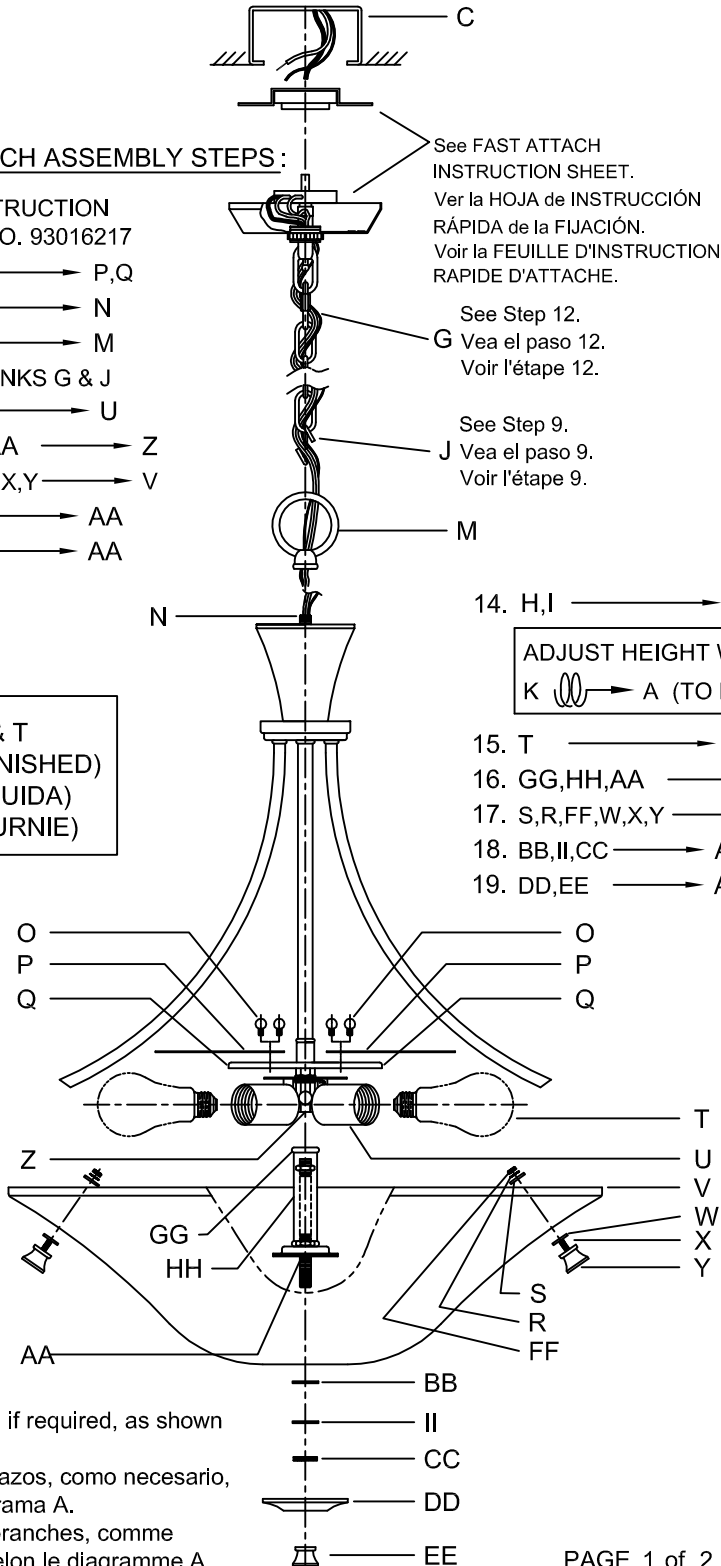
See Step 9.  
Vea el paso 9.  
Voir l'étape 9.

14. H,I → F

ADJUST HEIGHT WITH "D"  
K → A (TO LOCK)

15. T → U
16. GG,HH,AA → Z
17. S,R,FF,W,X,Y → V
18. BB,II,CC → AA
19. DD,EE → AA

B, C & T  
(NOT FURNISHED)  
(NO INCLUIDA)  
(NON FOURNIE)



- Adjust Arms, if required, as shown in diagram A.
- Ajuste los brazos, como necesario, según el diagrama A.
- Ajustez les branches, comme nécessaire, selon le diagramme A.

### STANDARD ASSEMBLY STEPS:

1. B,A → C
2. K → D
3. D,E → A
4. L,F → D
5. L → F (TO LOCK)
6. O → P,Q
7. M → N
8. J → M
9. CLOSE LINK J
10. I,H → G
11. G → F
12. CLOSE LINK G
13. Thread Fixture Wires Up Through Chain, (I), (H), (F) & (D). Trim Wires To Extend 6-Inches (15.5cm) Above (A). Strip Wire Insulation 1/2-Inch (1.5cm). Connect Fixture Wires To Supply Wires As Shown On Wiring Diagram.

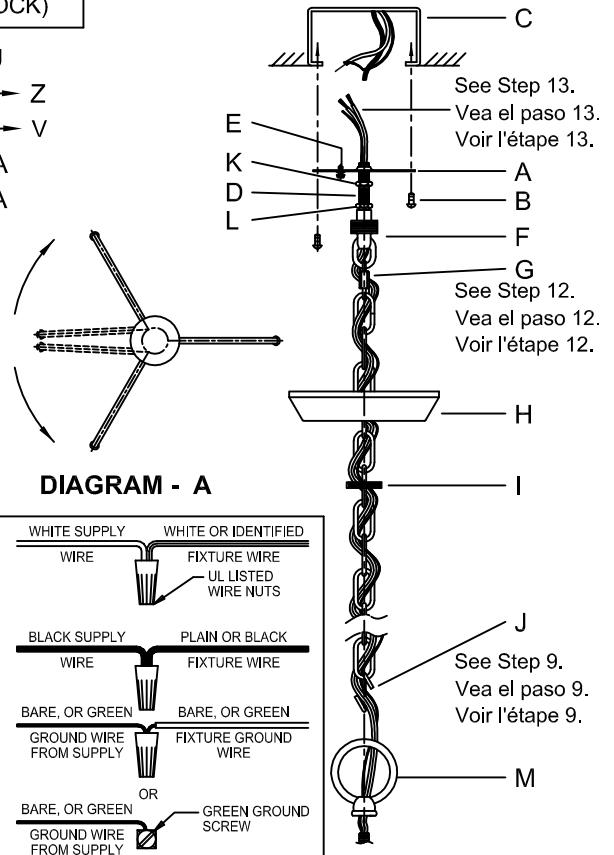


DIAGRAM - A

# Fast Attach Installation Instructions

**CAUTION:** Read instructions carefully and turn electricity off at main circuit breaker panel before beginning installation.

\*\*\*\*\*  
**WARNING:** If any Special Control Devices are used with this Fixture, Follow the Instructions Carefully to assure full compliance with N.E.C. requirements. If there are any questions, contact a Qualified Electrical Contractor.

**WARNING:** This product contains chemicals known to the State of California to cause cancer, birth defects and /or other reproductive harm. Thoroughly wash hands after installing, handling, cleaning, or otherwise touching this product.  
\*\*\*\*\*

View Installation Video - [www.safetyquicklight.com](http://www.safetyquicklight.com). Call 1-866-885-4649 for technical support.

**IMPORTANT SAFETY INFORMATION:**

**CAUTION:** Before beginning installation, disconnect power by turning off the circuit breaker or by removing the fuse at the fuse box.

**NOTE:** Please consult a qualified electrician if you are not certain of installation.

1. Caution: Make certain that your pre-existing outlet box (E) is compliant with national and local codes. If you are not certain, contact a qualified electrician.
2. The female receptacle (D) requires installation to be branch circuit (solid 14Awg wire) and should be installed by a qualified person or electrician.
3. Specifications: Suitable for luminaries (50 lbs). Certified and tested with a 200 lb load. Suitable for indoor/outdoor use. Rated for 120V, 5A.

**STEP 1: INSTALL THE RECEPTACLE TO THE OUTLET BOX (Fig. A1, A2 and A3).**

**A. TURN OFF THE POWER AT THE CIRCUIT BREAKER.**

B. Firmly insert wire from house supply into the receptacle (D) contacts - live/black lead to L1 terminal, white lead to W terminal and copper/ground lead to G/ground terminal. Do not use L2.

C. Caution: Insert 14Awg solid copper wire - with a strip length of 9/16". See page 4 if using 12Awg wire size or if you have multiple wires in your outlet box. To remove wire - turn (unscrew) the wire counter-clockwise direction and the wire will come right out.

D. Push wiring up into box (E) and secure receptacle (D) to outlet box (E). The receptacle (D) should be mounted flush against the surface as shown (Fig. A3).

**E. RESTORE ELECTRICAL POWER.**

**STEP 2: ADJUST CHAIN AND WIRE LENGTH BY DETACHING THE WIRES AT PLUG AND MAKING NEW ELECTRICAL CONNECTIONS TO THE MALE PLUG (Fig. B1, B2, B3, B4 and B5).**

A. Detach wire from male plug (F) and pull wire out of canopy (J). Loosen the screw and pull wire out of terminal. Tighten the screw back so that you do not lose the screw.

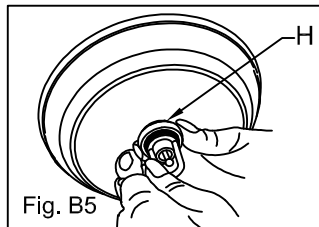
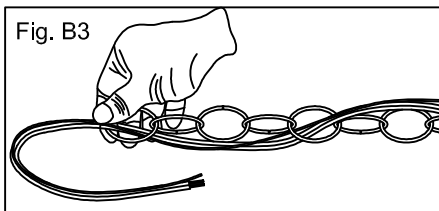
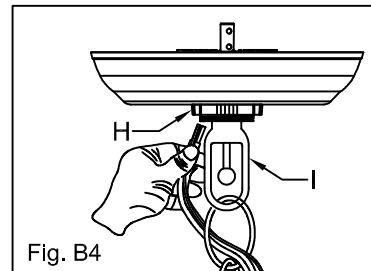
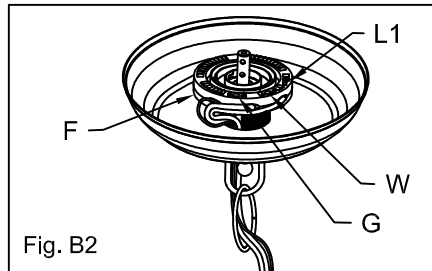
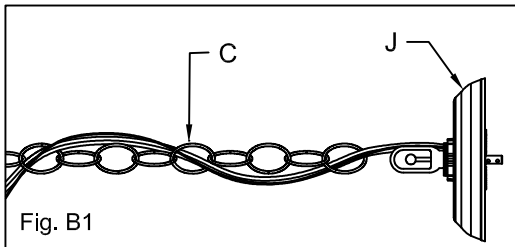
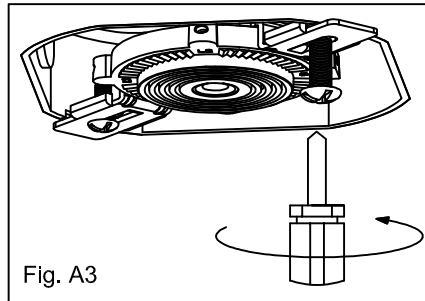
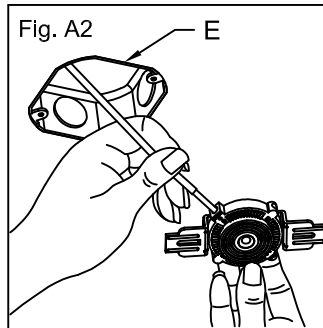
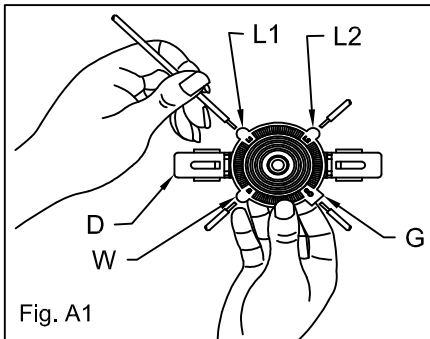
B. Determine height of chain (C) (and how many loops you need).

C. Remove the chain link at desired height. Using 2 sets of pliers, twist open the chain link and remove the links. Cut the wire leaving 6" longer length of wire than chain (C).

D. Attach link loop to the canopy chain holder (I) and route the wire back into the canopy (J) through the small opening (Fig. B4).

E. Make wire connection to male plug (F) - wire strip length = 3/16". Loosen screw, live/black lead to L1 terminal. Tighten screw. Loosen screw, white lead to W terminal. Tighten screw. Loosen screw, copper/ground lead to G/ground terminal. Tighten screw. Only jacketed cord should be visible - no exposed copper strands - set screw torque = 3/16"lb/in.

F. After shortening the wire and chain (C), loosen (turn) the screw collar (H) so that the collar is placed all the way down the threaded stem to the lowest thread. The canopy (J) should be loose and flimsy.



**STEP 3: FINAL INSTALLATION OF LIGHT FIXTURE (Fig. C1, C2, C3 and C4).**

A. Line up the male plug (F) on the fixture with the receptacle (D) installed in the outlet box (E).

B. While keeping the button (A) pushed, insert plug into receptacle (D).

C. Let go of the button (A) - push up on the chain holder so that the male plug (F) locks into place. Listen for the click. Once installed - tighten the screw collar (H) so that the canopy (J) is flush with the ceiling.

**WIRING DIAGRAMS (Fig. C5 and C6):**

If you have multiple wires inside your outlet box, you will need to determine which lead is the live or switched lead and insert this lead into L1. If you have red (R) and black (B) in the outlet box, usually the red (R) lead will be the live lead. If you are not sure how your house is wired, contact 1-866-885-4649 for questions or contact an electrician. When multiple wires are connected together, use a solid wire 14Awg jumper lead to insert into the receptacle (D) terminal. If the wire will not fit into the receptacle (D) opening and/or you have 12Awg wire size, attach a 14 Awg solid copper wire jumper lead to the 12Awg wire as shown and insert the 14Awg wire into the receptacle (D) contact.

**TROUBLE SHOOTING POINTS (Fig. C7):**

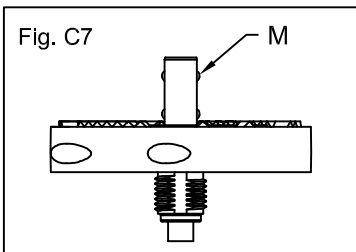
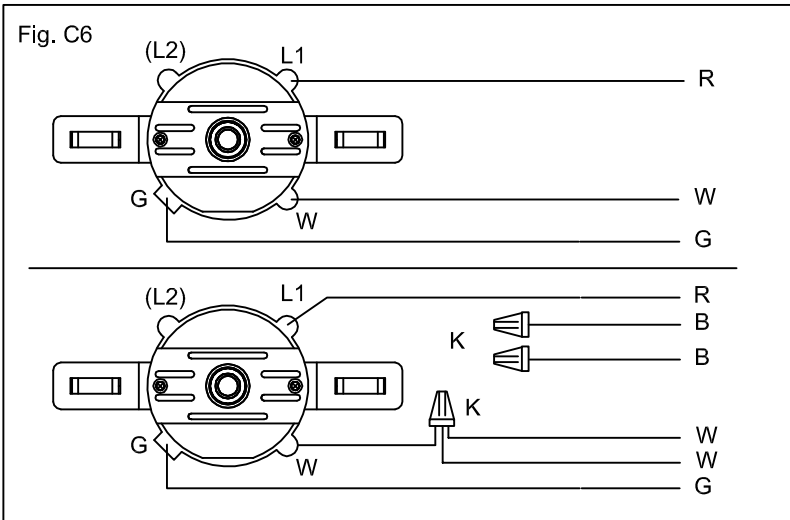
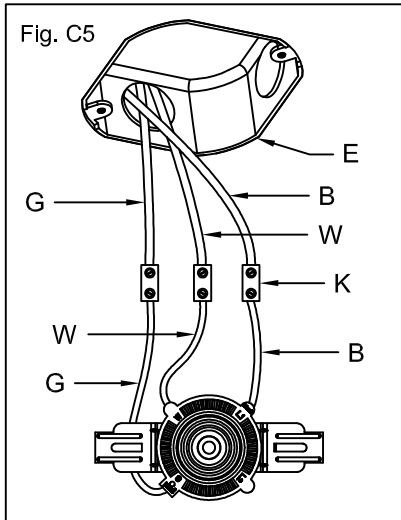
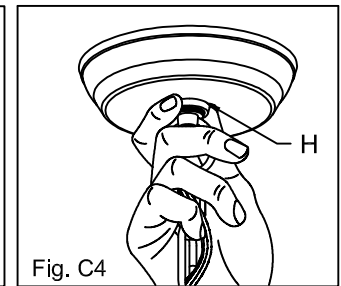
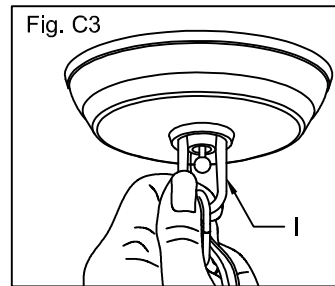
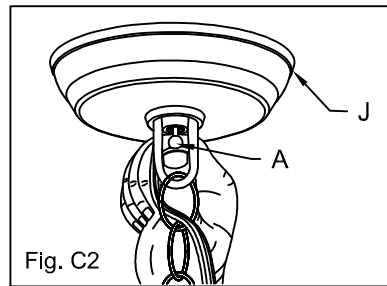
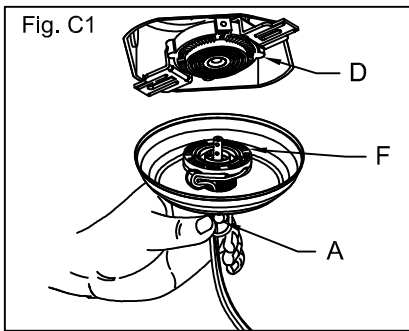
**1. NOT GETTING ELECTRICAL CONNECTION:**

First make sure the electrical connections to the receptacle (D) are correct, and your house supply wires are fully inserted into contact. Firmly push in wires - you can pull on wire to make sure it is correctly installed (see Fig. A1). If your light fixture is not illuminating or you don't hear the click, the male plug (F) on the light fixture may not be fully inserted and locked into place with the receptacle (D) and may not be making the electrical connection. The lower set of ball bearings (M) on the plug (F) must be locked in place in order to receive the electrical connection.

**2. CANNOT REMOVE THE WIRE:**

The wire will come right out of the terminal if you rotate (turn) the wire towards you approximately 3-5 rotations. The wire can hold greater than a 20 lb pull, so the wire will not release from the terminal using a direct pull. The wire must be rotated in order to release.

View Installation Video - [www.safetyquicklight.com](http://www.safetyquicklight.com) Call 1-866-4649 for technical support.



# Fast Attach Operation

Before installing or servicing a fixture with the Fast Attach system, consult the installation instructions received with your product or view the installation video at [www.safetyquicklight.com](http://www.safetyquicklight.com) to refresh your knowledge of this system.

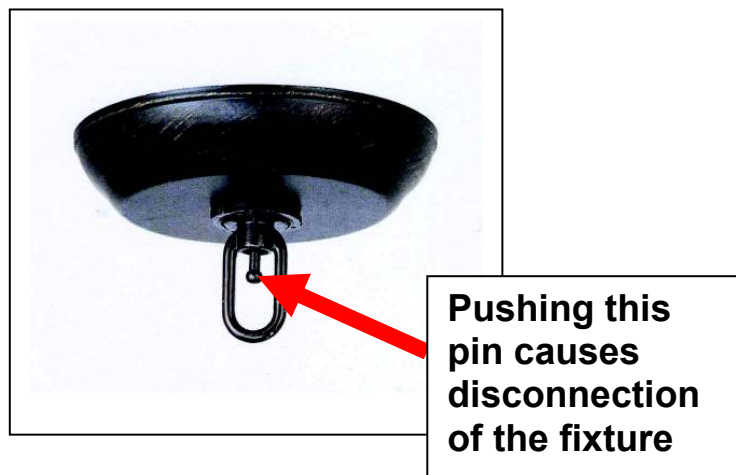
---

**WARNING:** Be aware that lighting fixtures mounted with this disconnecting device can fall away from attachment locations if not supported and constrained properly.

---

Pushing the canopy pin activates the disconnect assembly. With a second push or a continuous push, the fixture becomes both electrically and mechanically disconnected from the mounting box. Attempting to constrain a disconnected light fixture while on a ladder may cause you to lose your balance and fall.

**Use caution, proper tools and safe methods when installing or servicing a light fixture attached with a Fast Attach connector.**



---

**Save and refer to these instructions and warnings each time you service this light fixture**

---