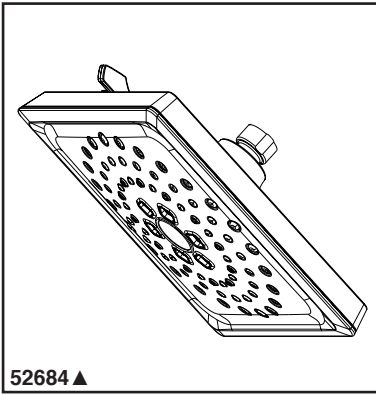




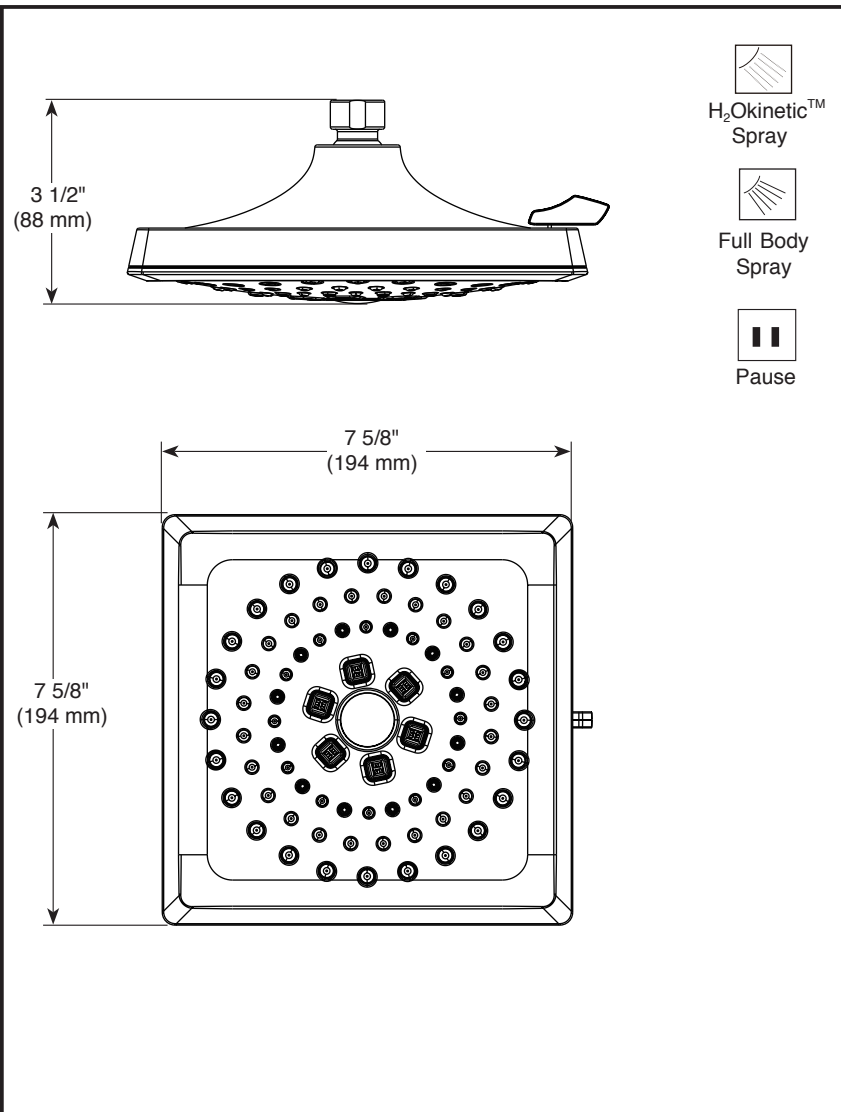
# SHOWERHEAD

- H<sub>2</sub>Okinetic<sup>®</sup> Showerhead
- 3-Spray Setting Showerhead
- Touch-Clean<sup>®</sup> Nozzles



Submitted Model No.: \_\_\_\_\_

Specific Features: \_\_\_\_\_



▲ Designate proper finish suffix

### STANDARD SPECIFICATIONS:

- Maximum flow rate 2.0 gpm (7.6L/min) @ 80 PSI.
- ABS showerhead with three settings – not a positive shut-off.
- Standard 1/2" pipe fitting.
- Easy-turn spray dial.
- Metal ball connector for durability. Easy installation.

### WARRANTY

- Lifetime limited warranty on parts (other than electronic parts and batteries) and finishes; or, for commercial users, for 5 years from the date of purchase.
- 5 year limited warranty on electronic parts (other than batteries); or for commercial users, for 1 year from the date of purchase. No warranty is provided on batteries.



### COMPLIES WITH:

- ASME A112.18.1 / CSA B125.1
- EPA WaterSense<sup>®</sup>



55 E. 111th Street, Indianapolis, Indiana 46280  
 350 South Edgeware Road, St. Thomas, Ontario Canada N5P 4L1  
 © 2015 Masco Corporation of Indiana

Delta reserves the right (1) to make changes in specifications and materials, and (2) to change or discontinue models, both without notice or obligation. Dimensions are for reference only. See current full-line price book or [www.deltafaucet.com](http://www.deltafaucet.com) for finish options and product availability.