



Manufacturer's Limited Warranty

PULSE Shower Spas, Inc. warrants that all ShowerSpas are free from defect in workmanship and/or materials for a period of three years from the date of purchase. This warranty extends to the original purchaser only and is non-transferable.

This warranty does not cover, and PULSE Showerspas will not pay for conditions, malfunctions or damages resulting from (1) normal wear and tear, improper installation, whether performed by a contractor, service company or the consumer, improper maintenance, misuse, abuse, negligence, accident or alteration; (2) the use of abrasive and/or caustic cleaning agents or "no-rinse" cleaning products or the use of the product in any manner contrary to the product instruction; or (3) conditions in the home such as excessive water pressure or corrosion.

Should any ShowerSpa be determined by PULSE Showerspas, Inc. to be defective in normal residential use, at the option of PULSE Showerspas, Inc., such product shall either be replaced or repaired and returned to the customer free of defects. The consumer shall give notice of any defects to PULSE Showerspas, Inc. within thirty days of discovery of such defect.

Proof of purchase (original sales receipt) must be provided to PULSE Shower Spas, Inc. with all warranty claims. PULSE Shower Spas, Inc. is not responsible for labor charges, removal charges, installation or other consequential costs. In no event shall the liability of PULSE Showerspas, Inc. exceed the purchase price of the ShowerSpa. Some states/provinces do not allow limitations of how long an implied warranty lasts or the exclusion or limitation of such damages, so these limitations and exclusions may not apply to you. This warranty gives the consumer specific legal rights. You may also have other rights that vary from state/province to state/province.

Follow manufacturers recommended installation. Use caution with children under ten years of age. Do not use ShowerSpa as a support device. Do not use harsh chemicals or abrasives when cleaning. Turn water supply off when servicing ShowerSpa.

PULSE Showerspas, Inc. ♦ 49 Hangar Way Suite A ♦ Watsonville, CA 95076 ♦ 888.785.7320
email:info@pulseshowerspas.com ♦ website: www.pulseshowerspas.com



PULSE

SHOWERSPAS

Navajo ShowerSpa

Installation Instructions

Model #1018



Navajo Model # 1018

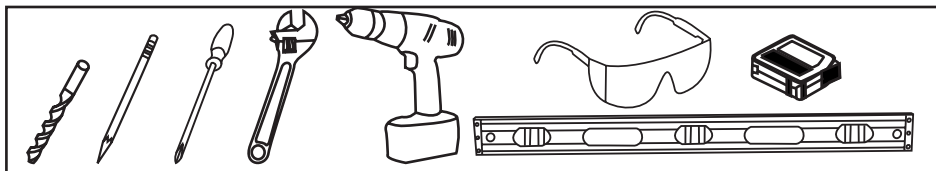
PLEASE READ THE FOLLOWING INSTRUCTIONS COMPLETELY BEFORE BEGINNING!

Our goal is to ensure your installation goes smoothly and safely. Please read these safety instructions carefully and follow recommendations for plumbing and mounting. **If, after reading instruction manual, you determine you do not have the necessary skills and/or tools, we then recommend a licensed plumbing contractor complete the installation.**

If you encounter any problems during installation call Technical Support toll free at 888-785-7320 before returning item to store.

You will need the following tools:

Level	Tape Measure
Soft pencil or felt pen to mark tile	Drill (Preferably cordless)
A Reciprocating Saw w/metal cutting blade (Sawzall®)	Channel Locks or adjustable wrench
1/4" Masonry Drill Bit	



ShowerSpa Assembly

- Shower Arm:** Align two mounts with pre-drilled holes in ShowerSpa. To align top mount loosen allen set screw (#19) inside mount and adjust accordingly to fit top hole. Insert threaded mount through holes in ShowerSpa and secure with soft washer (#10) and nut (#11) supplied. Tighten set screw (#19) inside mount. **CAUTION:** Do NOT over tighten set screw. Attach shower head supply line to the lower shower arm mount. Make sure rubber washer is inserted inside fitting. Install shower head onto shower arm.
- Glass Shelf:** Position glass shelf into slotted mounts. Secure allen set screws (#18) on the under side of mounts. Do NOT over-tighten screws.
- Hand Held Hose and Wand:** Attach hexagon nut end of hose (#9) to hand held hose outlet (#20). **NOTE:** Make sure rubber washers are inserted in each end of hose. Attach tapered end of hose (#8) to hand held wand (#3).

- Remove the handle(s) and trim cover(s) of your existing valve exposing the valve body in the wall.
- Locate the hot and cold supply lines entering the valve. Using a reciprocating saw with sharp metal saw blade, cut the existing valve out, preserving the threads of the supply lines entering the valve. (Note: you should also cut the riser within the wall supplying the existing shower head.) Carefully twist and remove the valve.
- Unscrew the old shower head from the arm and then unscrew the arm.
- It is recommended to extend the water supply lines outside the wall cavity parallel to the finished wall surface. Attach a male threaded fitting to each supply line, maintaining 1/4"- 1/2" space between the male threaded fittings and the finished wall. The open end of the male fitting should point down. For your convenience we have included (2) 1/2" 90° fittings³.
- Make certain the location (height/width) of the stub-outs and connecting to them does not interfere with the desired mounting height of the ShowerSpa.
- Mark the location of the holes for the mounting bracket making sure the bracket is level. For a person 5'8" – 6'2" tall, we recommend 53" from finished floor height⁴. Before drilling holes for the bracket, make certain the ShowerSpa will rest flat against finished wall surface at the desired mounting height with the supply lines connected.
- Drill 1/4" holes through the wall surface using a masonry bit. Drill slowly through wall surface to avoid cracking and chipping. Insert anchors and securely screw bracket to wall. Before connecting the hot and cold supply lines, mount the ShowerSpa on the wall, checking the height, and making sure the ShowerSpa feels secure.
- Connect hot and cold water supply lines to male threaded pipe, do not over-tighten. Before you mount the ShowerSpa, check the fittings to make sure they are secure. Turn on water and check for leaks. When fittings are leak-free mount ShowerSpa on wall.
- Hold hand held mount to desired height, making sure flexible hose reaches mount. Recommended 4" to 6" from ShowerSpa on the right side of the unit, so you can easily remove hand held wand. Position mount flat on surface make two marks with pencil. Carefully drill 1/4" holes through the wall surface using masonry bit. Insert anchors and securely screw mount to wall.
- Optional: Seal around the body of ShowerSpa with a bead of silicone.

³ Additional fittings may be necessary depending on your specific situation.

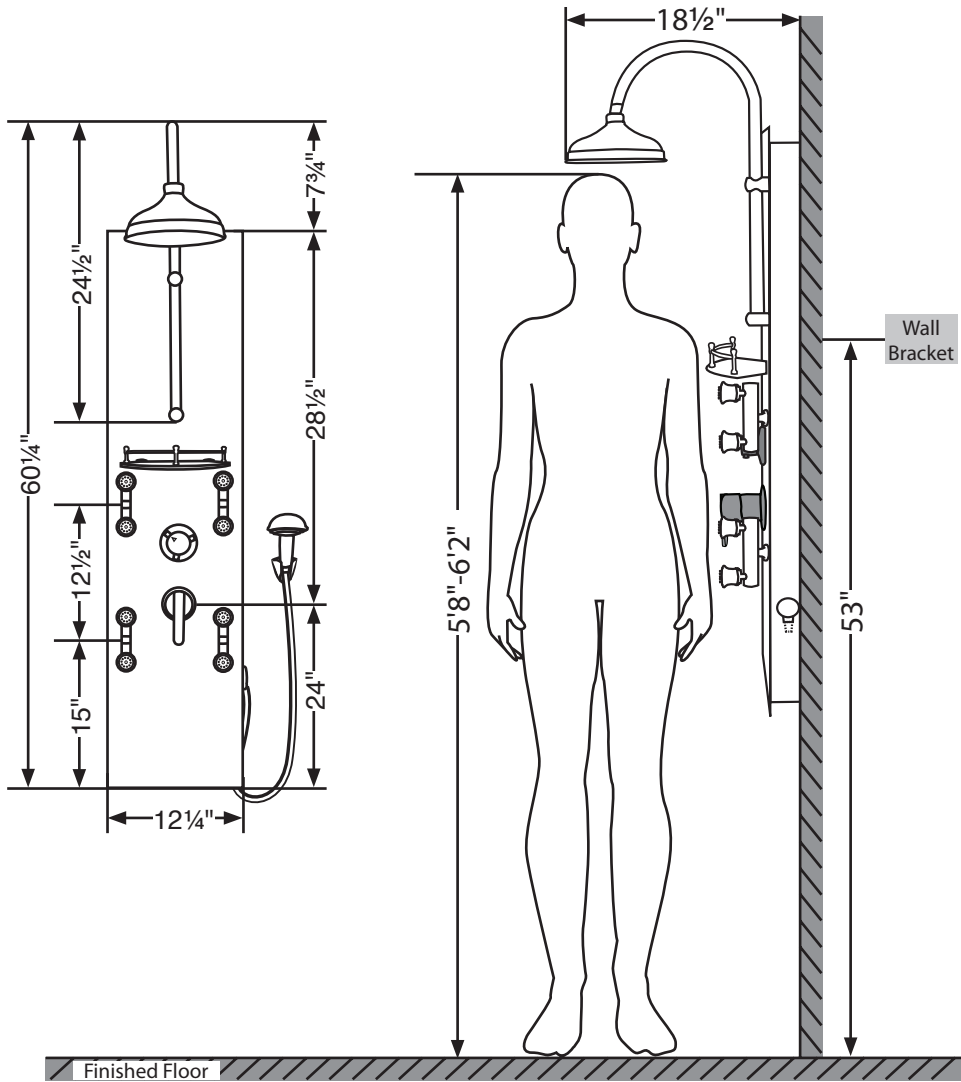
⁴ This height can vary depending on several factors (i.e. location of supply lines, old valve access area, personal preference, etc).

ATTENTION

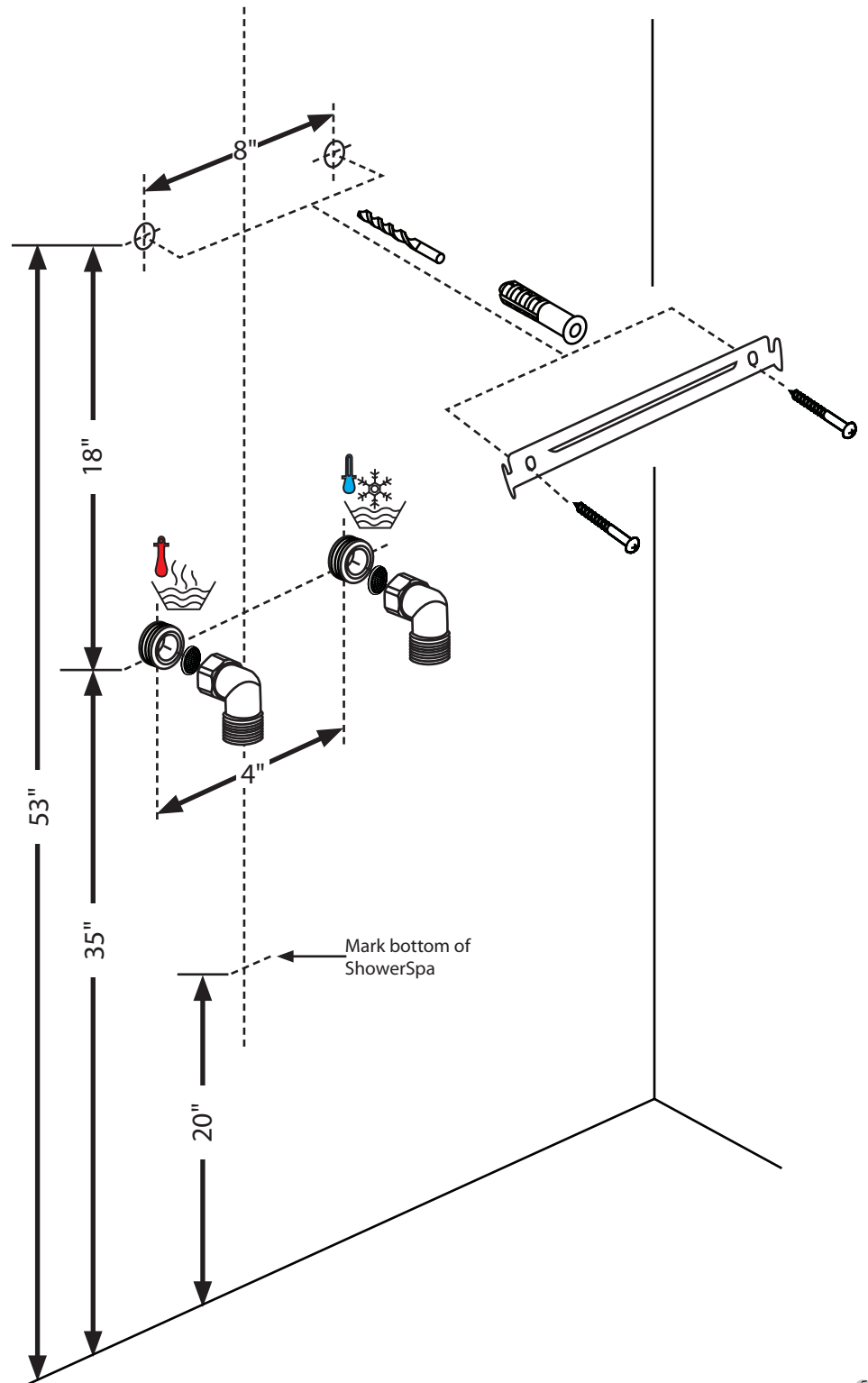
ONCE YOUR UNITS IS INSTALLED, IF YOU HEAR A KNOCKING SOUND WITHIN THE UNIT WHICH SOUNDS LIKE IT IS COMING FROM INSIDE THE WALL, WE HAVE A CHECK VALVE THAT WILL ELIMINATE THIS KNOCKING. PLEASE CONTACT PULSE SHOWER SPAS AT 1-888-785-7320

We will send you a check valve free of charge.

PULSE uses a cUPC certified pressure balanced valve which is designed to prevent scalding and maintain a consistent water temperature. If there is a sudden drop in water pressure, (i.e. flushing toilet, turning on a faucet, etc.) the valve will compensate for the drop in water pressure by knocking to maintain the flow rate. By installing the check valve, the pressure is maintained within the valve **eliminating** the knocking sound.



Dimensions



New Construction/Extensive Remodel "New Finished Wall Surface"

1. Prior to sheetrock, stub-out 1/2" hot and cold supply lines beyond the finished wall surface, 4" on center. The height of the Stub-outs is completely dependent upon the desired mounting height of the Navajo ShowerSpa. For a person 5'8" – 6'2" we recommend the stub-outs to be 35" from the finished floor.¹
2. After the finished wall surface has been completed, make certain the water is completely turned off to both hot & cold supply lines of the Shower. Connect the 90° male threaded fittings to the stub-outs maintaining 1/4" – 1/2" space between the fitting and finished wall. The open end of the threaded male fitting should point down.
3. Mark the location of the holes for the mounting bracket making sure the bracket is level. For a person 5'8" – 6'2" tall, we recommend 53" from finished floor height². Before drilling holes for the bracket, make certain the ShowerSpa will rest flat against finished wall surface at the desired mounting height with the supply lines connected.
4. Drill 1/4" holes through the wall surface using a masonry bit. Drill slowly through wall surface to avoid cracking and chipping. Insert anchor and securely screw bracket to wall. Before connecting hot and cold supply lines, mount the ShowerSpa on the wall, checking the height, and making sure the ShowerSpa feels secure.
5. Connect hot and cold water supply lines to male threaded pipe, do not over-tighten. Before mounting the ShowerSpa, check the fittings to make sure they are secure. Turn on water and check for leaks. When fittings are leak-free mount ShowerSpa on wall.
6. Hold hand held mount to desired height, making sure flexible hose reaches mount. Recommended 4" to 6" from ShowerSpa on the right side of the unit, so you can easily remove hand held wand. Position mount flat on surface make two marks with pencil. Carefully drill 1/4" holes through the wall surface using masonry bit. Insert anchors and securely screw mount to wall.
7. **Optional:** Seal around the body of ShowerSpa with a bead of silicone.

¹ The desired mounting height of the ShowerSpa determines the height of the 1/2" stub-outs. The stub-outs must be located at a height allowing the supply lines to be connected and the body of the ShowerSpa to rest flat against the finished wall.

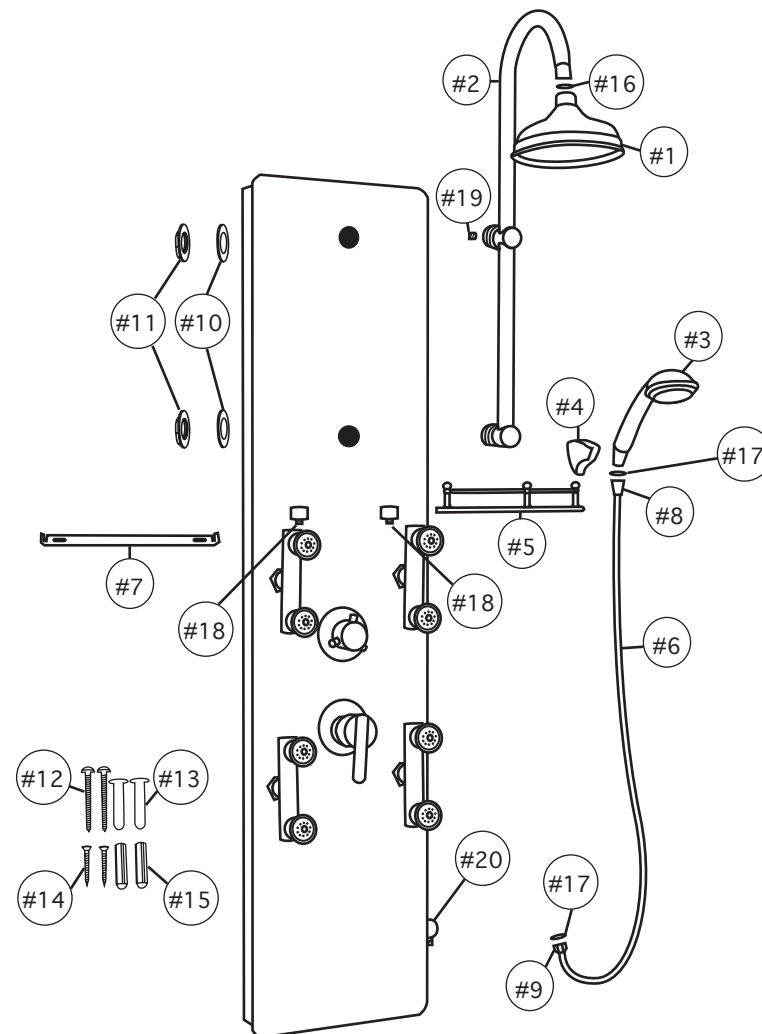
² This height may vary depending on several factors (i.e. location of supply lines, interference from ShowerSpa plumbing, personal preference, etc.)

Retrofitting An Existing Shower:

Note: In a re-model in which you are not replacing the finished wall surface (tile, or backing material) it is advisable to purchase a PULSE ShowerSpa model that covers the location of the existing valve assembly- either single handle or two-handle type. If your PULSE ShowerSpa model does not cover this area, you will need to either choose another PULSE ShowerSpa model that does or make the necessary repairs with appropriate materials (i.e. wallboard, tile, fiberglass, etc).

1. Turn off the water supply to the shower. (Note: Typically there is a gate valve where the water main enters the house. Turning the water valve off at the hot water tank does not turn off the cold water supply line.)
2. Make certain the water is completely turned off to both hot & cold supply lines of the Shower. (Turn the shower valve on, both hot and cold, to verify the water supply is off.) Open a sink faucet in the bathroom in which you are installing the ShowerSpa to relieve any pressure and help adequately drain the shower supply lines.

Navajo ShowerSpa Numbered Components



Parts Legend

1. Shower Head.....	Qty 1	11. Shower Arm Nuts.....	Qty 2
2. Shower Arm.....	Qty 1	12. Mounting Screw Panel Bracket.....	Qty 2
3. Hand Held Shower Wand.....	Qty 1	13. Mounting Anchor Panel Bracket.....	Qty 2
4. Hand Held Mount.....	Qty 1	14. Mounting Screw Hand Held Mount (blk) ...	Qty 2
5. Glass Shelf.....	Qty 1	15. Mounting Anchor Hand Held Mount.....	Qty 2
6. Stainless Steel Hose (ORB).....	Qty 1	16. Screen 3mm Washer (inserted).....	Qty 1
7. Shower Panel Wall Mount.....	Qty 1	17. 3mm Washer.....	Qty 2
8. Tapered End of Hose.....		18. Allen Set Screw w/ Nylon Top (inserted)...	Qty 2
9. Hexagon Nut End of Hose.....		19. Allen Set Screw (inserted).....	Qty 1
10. Soft Washer.....	Qty 2	20. Hand Held Hose Outlet (attached).....	Qty 1