

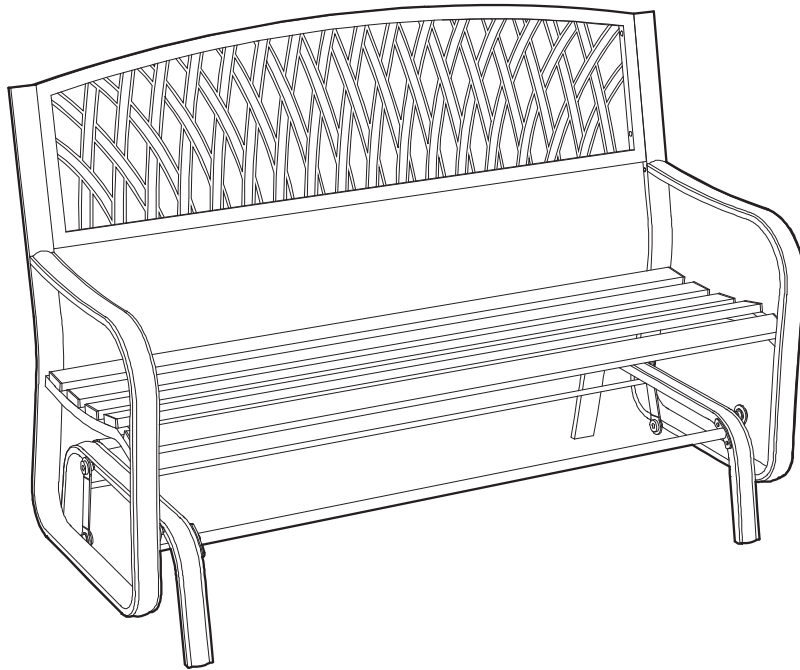
Item# 1003 535 856  
1003 421 786  
Model# L-DNC1418PST-A

# HAMPTON BAY®

## USE AND CARE GUIDE

---

### FLINTRIDGE METAL GLIDER



Questions, problems, missing parts? Before returning to the store,  
call Hampton Bay Customer Service  
8 a.m. - 7 p.m., EST, Monday – Friday, 9 a.m. – 6 p.m., EST, Saturday

**1-855-HD-HAMPTON**

**HAMPTONBAY.COM**

---

#### **THANK YOU**

*We appreciate the trust and confidence you have placed in Hampton Bay through the purchase of this Glider. We strive to continually create quality products designed to enhance your home. Visit us online to see our full line of products available for your home improvement needs. Thank you for choosing Hampton Bay!*

# Table of Contents

Table of Contents.....	2	Pre-Assembly .....	3
Important Safety Instructions.....	2	Planning assembly.....	3
Warranty.....	2	Hardware Included.....	3
What is Covered.....	2	Package Contents.....	4
What is Not Covered .....	2	Assembly .....	5
		Care and Cleaning .....	7


## Important Safety Instructions

### READ ALL INSTRUCTIONS BEFORE USE

To reduce the risk of injury to persons:

1. Close supervision is necessary when this furnishing is used by, or near children, or disabled persons.
2. Use this furnishing only for its intended use as described in these instructions. Do not use attachments not recommended by the manufacturer.
3. Some parts may contain sharp edges. Wear protective gloves.
4. Please count the parts before assembly.
5. Set up your furniture properly. Ensure that all parts are assembled properly and fully tightened as per instructions. When placing in the desired location, ensure that all legs are resting on the same surface. You may adjust the leg levelers as required to ensure that the item stands in a level position.
6. Examine occasionally to ensure that there are no loose parts. If loose parts are found, they must be re-tightened fully before additional use.

 **DANGER:** Keep children and parts away from the assembly area.

 **WARNING:** To avoid destroying the finish ,please handle the surface by using a soft cloth instead of your bare hands. Due to the nature of iron, surface oxidation(rusting) will occur once these protective coatings are scratched. We recommend immediate touch-up with rust inhibiting paint(not included).

 **CAUTION:** Do NOT over tighten any of the bolts or nuts.

## Warranty

### 2 YEAR WARRANTY

#### WHAT IS COVERED

This limited warranty is extended to the original purchaser and applies to defects in materials and workmanship of your item provided the item is maintained with care and used only for personal, residential purposes. The item is warranted to be free from defects in material or workmanship for a period of 2 years.

#### WHAT IS NOT COVERED

We do not reimburse for transportation of delivery costs, or compensate the individual or any outside party for assembling or disassembling the product.

Contact the Customer Service Team at 1-855-HD-HAMPTON or visit [HAMPTONBAY.COM](http://HAMPTONBAY.COM).  
Production Number: 2020200012

# Pre-Assembly

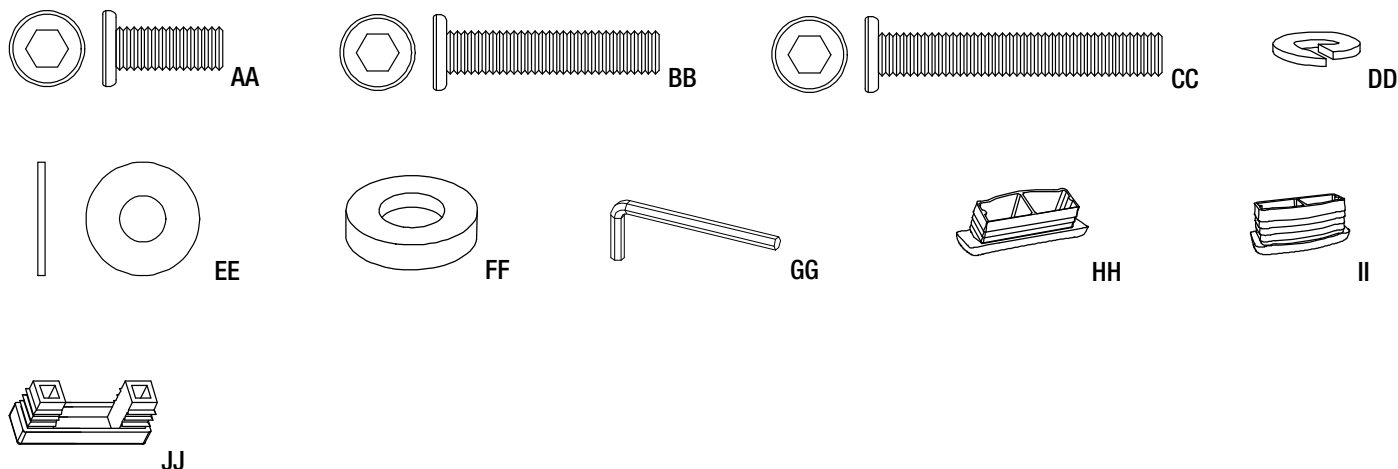
## PLANNING INSTALLATION

Before beginning assembly of this product, make sure all parts are present. Compare parts with the Hardware Included and Package Contents lists. If any part is missing or damaged, do not attempt to assemble the product. Contact customer service for replacement parts.

## HARDWARE INCLUDED



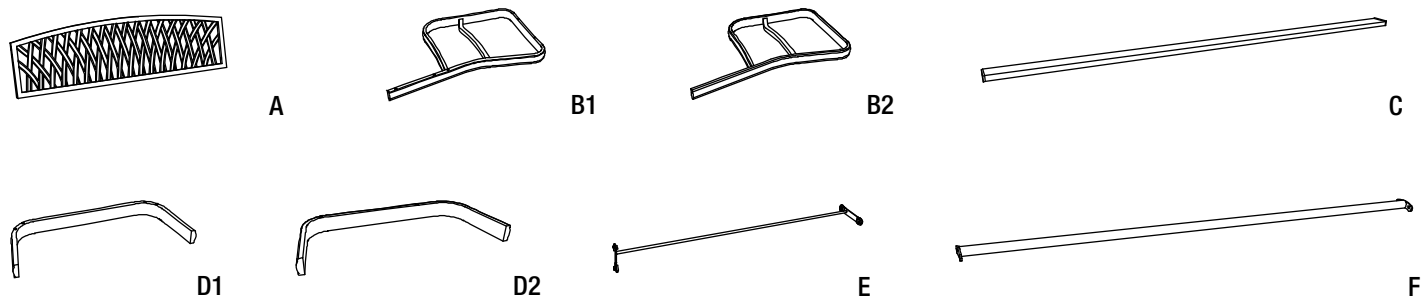
**NOTE:** Hardware not shown to actual size.



Part	Description	Quantity	Additional hardware
AA	Bolt M6*15	8	1
BB	Bolt M6*30	18	2
CC	Bolt M6*40	4	1
DD	Spring Washer Outer diameter9*Inner diameter6.5*Thickness1.5	22	3
EE	Flat Washer Outer diameter12*Inner diameter6.5*Thickness0.7	30	3
FF	Plastic Washer Outer diameter15*Inner diameter7*Thickness4	8	1
GG	Hex wrench	1	0
HH	Foot Pad Pre-assembled	2	0
II	Foot Pad Pre-assembled	2	0
JJ	Plastic Plug Pre-assembled	10	0

# Pre-Assembly (continued)

## PACKAGE CONTENTS



Part	Description	Quantity
A	Back	1
B1	Handrail (Left)	1
B2	Handrail (Right)	1
C	Seat	5
D1	Leg (Left)	1
D2	Leg (Right)	1
E	Glide bar	2
F	Connect bar	2

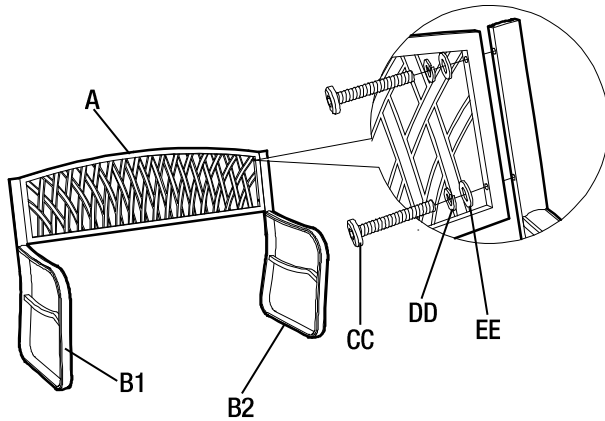
# Assembly

## 1 Connecting the Back and Handrail

- ❑ Attach the Handrail (B1&B2) to the Back (A) using the bolts (CC), spring washers (DD) and flat washers (EE) with the hex wrench (GG). Do not tighten the bolts.



**DANGER:** To avoid destroying the finish, do not put the parts on the ground directly.

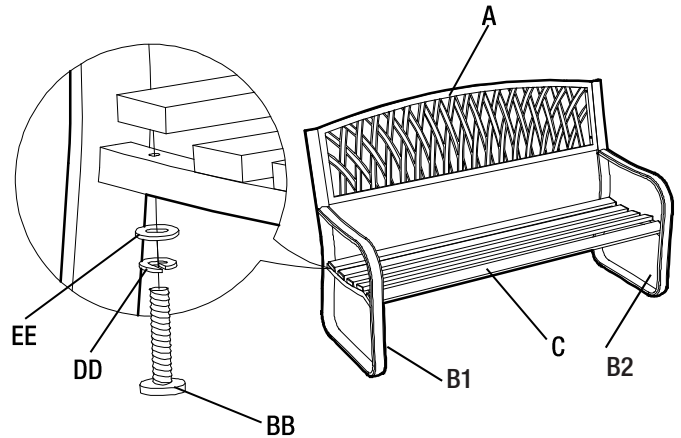


## 2 Connecting the Handrail and Seat

- ❑ Connect the Handrail (B1&B2) with the Seat Insert a space (C) using the bolts (BB), spring washers (DD) and flat washers (EE) with the hex wrench (GG). Do not tighten the bolts.



**DANGER:** To avoid destroying the finish, do not put the parts on the ground directly.

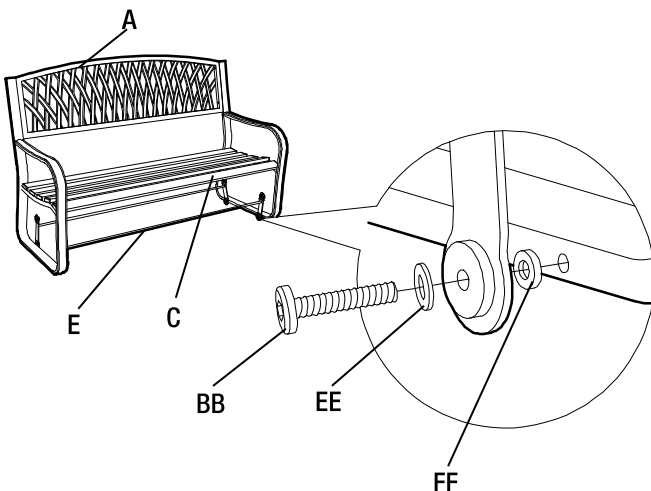


## 3 Connecting the Handrail and Glide bar

- ❑ Connect the Handrails (B1&B2) with the Glider Bar (E) using the bolts (BB), flat washers (EE) and plastic washers (FF) with the hex wrench (GG). Do not tighten the bolts.



**DANGER:** To avoid destroying the finish, do not put the parts on the ground directly.

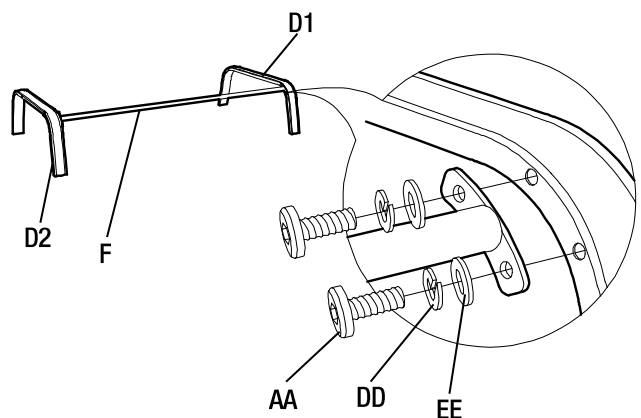


## 4 Connecting the Legs and Connect bar

- ❑ Attach the Legs (D1&D2) to the Connect bar (F) using the bolts (AA), spring washers (DD) and flat washers (EE) with the hex wrench (GG). Do not tighten the bolts.



**DANGER:** To avoid destroying the finish, do not put the parts on the ground directly.



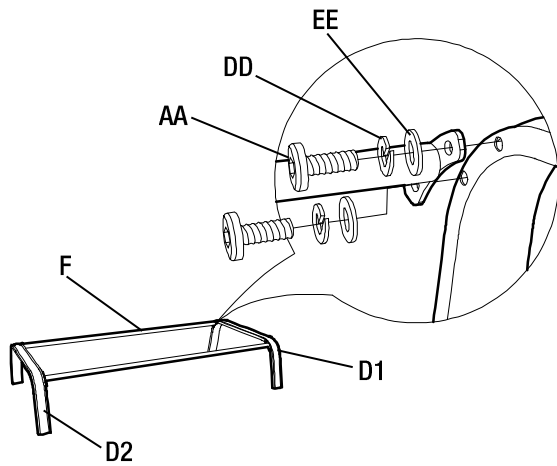
## Assembly (continued)

### 5 Attaching the Legs

- ❑ Attach the Legs (D1&D2) to the Connect bar (F) using the bolts (AA), spring washers (DD) and flat washers (EE) with the hex wrench (GG). Do not tighten the bolts.



**DANGER:** To avoid destroying the finish, do not put the parts on the ground directly.

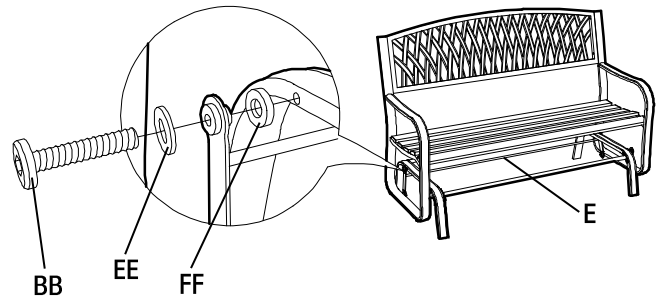


### 6 Connecting the Glide bar and Leg

- ❑ Connect the Glider bar (E) with the Legs (D1&D2) using the bolts (BB), flat washers (EE) and plastic washer (FF) with the hex wrench (GG). Tighten all the bolts using wrench (GG).



**NOTE:** To avoid destroying the finish, do not put the parts on the ground directly.



## Care and Cleaning

---

- Before using, clean the glider completely with a soft dry towel.
- Do not put your glider in wet conditions where there is a risk of rust developing.
- When not in use, store in a cool, dry area.

# HAMPTON BAY<sup>®</sup>

Questions, problems, missing parts? Before returning to the store,  
call Hampton Bay Customer Service  
8 a.m. – 7 p.m., EST, Monday – Friday, 9 a.m. – 6 p.m., EST, Saturday

**1-855-HD-HAMPTON**

**HAMPTONBAY.COM**

Retain this manual for future use.