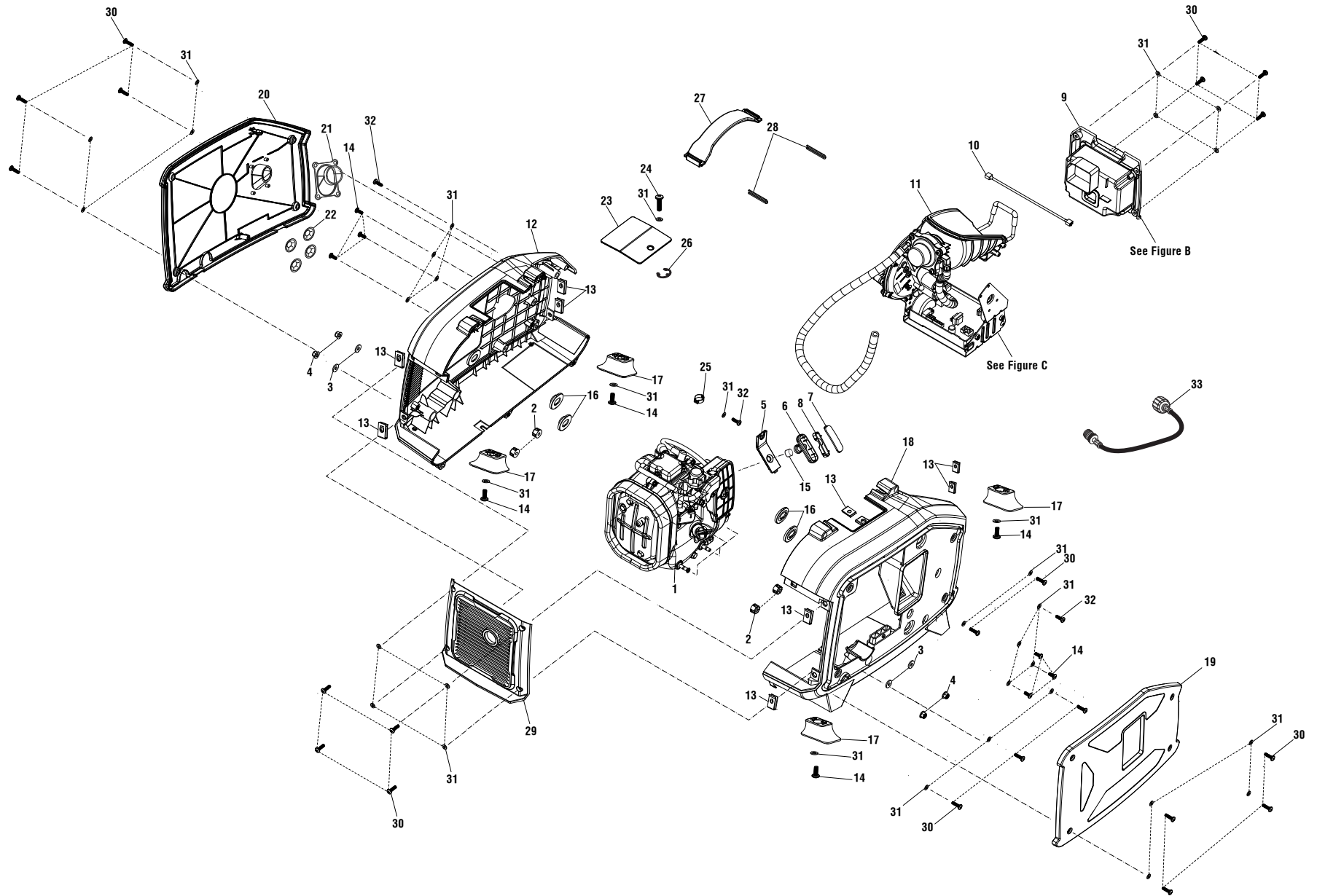




**Item No. BAI911LP  
Mfg. No. 090930346  
Replacement Parts List**

BAJA DIGITAL INVERTER GENERATOR – MODEL NO. BAI911LP

FIGURE A



## BAJA DIGITAL INVERTER GENERATOR – MODEL NO. BAI911LP

The model number will be found on a label attached to motor housing. Always mention the model number in all correspondence regarding your **DIGITAL INVERTER GENERATOR** or when ordering replacement parts.

### FIGURE A PARTS LIST

KEY NO.	PART NUMBER	DESCRIPTION	QTY	KEY NO.	PART NUMBER	DESCRIPTION	QTY
1	<b>NOTE</b>	Engine .....	1	21	564158008	Rubber Grommet .....	1
2	561454003	Side Engine Isolator .....	4	22	638704008	Internal Tooth Washer (ID5).....	4
3	460703000130	Rubber Washer (ID6.25 x OD15.5 x 2t).....	4	23	524003024	Spark Plug Door.....	1
4	001410006001	Lock Flange Nut (M6).....	4	24	660345022	Screw (M5 x 16 mm, T-25 Torx Hd.).....	1
5	524003019	Starter Cover.....	1	25	678409011	Fuel Hose Clamp .....	1
6	524003026	Recoil Handle.....	1	26	638623009	E-Clip Lock Washer .....	1
7	524003027	Recoil Handle Cover .....	1	27	564158002	Rubber Handle (Upper).....	1
8	524003066	Recoil Handle Plastic Support .....	1	28	678815018	Side Lock (U-Shaped).....	2
9	<b>See Figure B</b>	Control Panel Assembly.....	1	29	524003023	Muffler Cover .....	1
10	469020030000	Stepper Motor Extended Wire Harness.....	1	30	660345016	Screw (M5 x 18 mm, T-25 Torx Hd.).....	21
11	<b>See Figure C</b>	Fuel System & Bracket Assembly.....	1	31	638128034	Washer (ID5.2 x OD10 x 1t).....	35
12	524003016	Panel Housing (Right) .....	1	32	660345017	Screw (M5 x 16 mm, T-25 Torx Hd.).....	3
13	469003000150	U-Clip.....	9	33	308792012	Hose Adaptor Assembly (20 lb. LP).....	1
14	660345019	Screw (M5 x 12 mm, T-25 Torx Hd.).....	10	<b>Not Shown:</b>			
15	564158009	Rubber Grommet Handle.....	1		480210016145	Spark Plug Wrench	
16	561454005	Rubber Grommet .....	4		480212002100	Screw Driver	
17	561454010	Rubber Foot w/Metal Insert and Ribs.....	4		995000404	Operator's Manual	
18	524003017	Panel Housing (Left).....	1				
19	524003058	Maintenance Panel (Left) .....	1				
20	524003060	Maintenance Panel (Right) .....	1				

**NOTE:** OWT Industries, Inc., will not provide engines as replacement parts. Engines are covered through the engine manufacturer's warranty. Consult the accompanying engine manual or contact our service department for assistance.

\* Not all parts shown on the exploded view are available. Some parts are shown to identify position and location of parts that are available.



## BAJA DIGITAL INVERTER GENERATOR – MODEL NO. BAI911LP

The model number will be found on a label attached to motor housing. Always mention the model number in all correspondence regarding your **DIGITAL INVERTER GENERATOR** or when ordering replacement parts.

### FIGURE B PARTS LIST

KEY NO.	PART NUMBER	DESCRIPTION	QTY
1	662653001	Screw (M4 x 13 mm, Flat Hd.).....	4
2	001030005000	Wingnut (M5) .....	1
3	639799001	Washer (ID5 x OD8 x 1.4t) .....	1
4	638128033	Washer (ID5.3 x OD10 x 1t) .....	2
5	662652002	Lock Nut (M5) .....	1
6	760700002	On/Off Switch .....	1
7	660345026	Screw (M4 x 10 mm, T-20 Torx Pan Hd.).....	4
8	291789001	Indicator (Red LED) .....	1
9	760945005	Reset Button.....	1
10	480101020040	120V-15A Duplex Receptacle.....	1
11	940040054	Control Panel Label .....	1
12	638700045	Control Panel Faceplate .....	1
13	662652001	Lock Nut (M4) .....	4
14	661345003	Screw (M5 x 18 mm, Flange Hex Hd.).....	1
15	524003022	Control Panel Housing.....	1
16	564158004	Rubber Grommet.....	1
17	462417016000	Ignition Module (700W).....	1
18	638128034	Washer (ID5.2 x OD10 x 1t) .....	1
19	660345017	Screw (M5 x 16 mm, T-25 Torx Pan Hd.).....	1
<b>Not Shown:</b>			
	469020020000	Unit Wire Harness	
	469017012500	AC Socket Wire Harness	
	469017012650	Overload/Momentary Switch Wire Harness	

BAJA DIGITAL INVERTER GENERATOR – MODEL NO. BAI911LP

FIGURE C

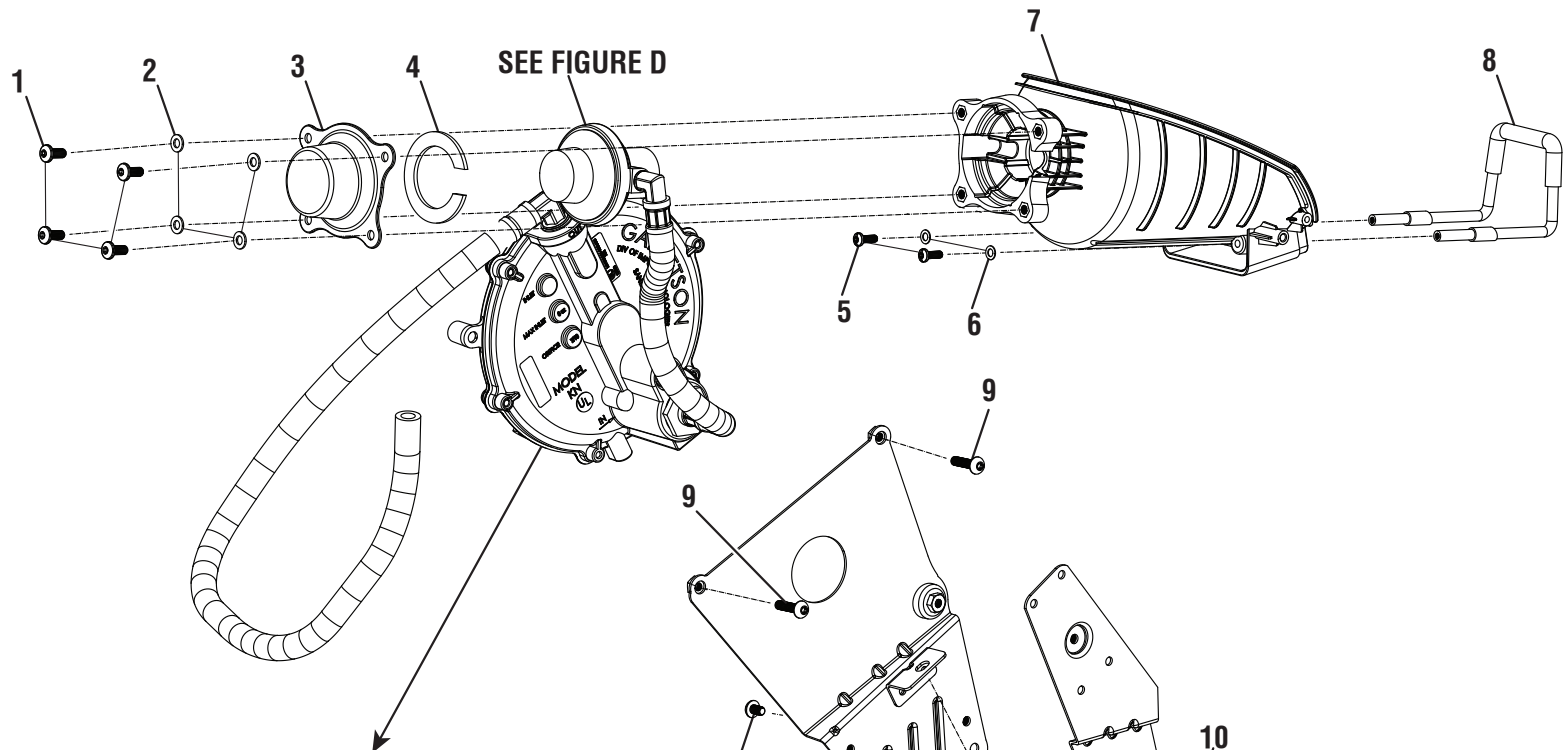
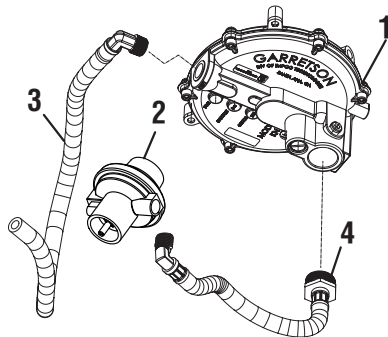


FIGURE D



Note: add loctite 592 on the hose's thread prior to assembly

## BAJA DIGITAL INVERTER GENERATOR – MODEL NO. BAI911LP

The model number will be found on a label attached to motor housing. Always mention the model number in all correspondence regarding your **DIGITAL INVERTER GENERATOR** or when ordering replacement parts.

### FIGURE C PARTS LIST

KEY NO.	PART NUMBER	DESCRIPTION	QTY
1	660345019	Screw (M5 x 12 mm, T-25 Torx Pan Hd.).....	4
2	638128034	Washer (ID5.2 x OD10 x 1t).....	4
3	638700049	Metal Cover.....	1
4	564158010	Rubber Pad.....	1
5	660345023	Screw (M4 x 12 mm, T-20 Torx Pan Hd.).....	2
6	638128031	Washer (ID4.5 x OD8 x 0.5t).....	2
7	524003056	1LP Tank Assembly.....	1
8	638701036	Metal Tube.....	1
9	660345020	Screw (M5 x 22 mm, T-25 Torx Pan Hd.).....	2
10	661345002	Screw (M5 x 8 mm, T-25 Torx Pan Hd.).....	2
11	570356015	Rubber Support.....	2
12	673678001	Bracket.....	1
13	290991024	Inverter Module (700W).....	1
14	660345024	Bolt (1/4 in. x 20-1/2 in., Flanged Hex Hd.).....	1

### FIGURE D PARTS LIST

KEY NO.	PART NUMBER	DESCRIPTION	QTY
1	312751003	Propane Regulator (2nd Stage).....	1
2	312751002	Propane Regulator (1st Stage).....	1
3	570358187	Propane Fuel Hose.....	1
4	308792009	Propane Fuel Hose.....	1

**NOTE:** OWT Industries, Inc., will not provide engines as replacement parts. Engines are covered through the engine manufacturer's warranty. Consult the accompanying engine manual or contact our service department for assistance.

\* Not all parts shown on the exploded view are available. Some parts are shown to identify position and location of parts that are available.

BAJA DIGITAL INVERTER GENERATOR – MODEL NO. BAi911LP

FIGURE E

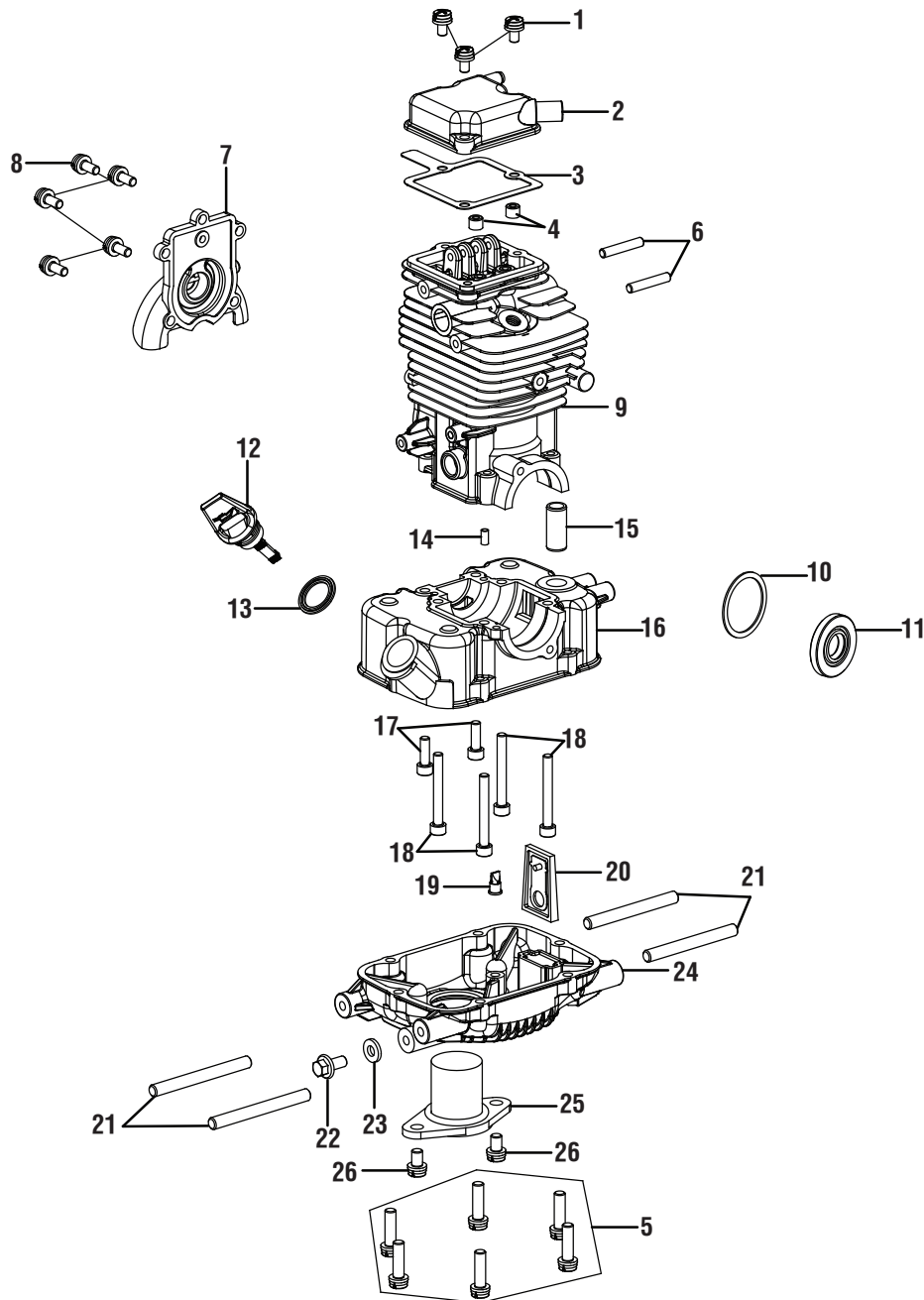
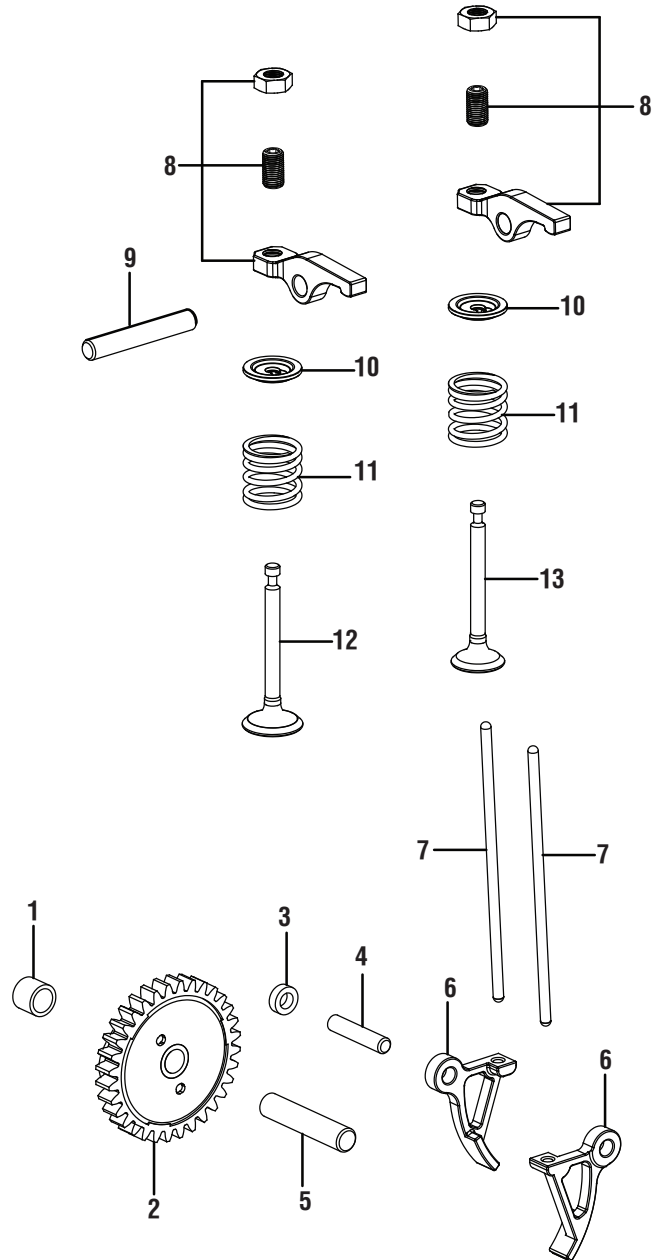


FIGURE F





## BAJA DIGITAL INVERTER GENERATOR – MODEL NO. BAI911LP

The model number will be found on a label attached to motor housing. Always mention the model number in all correspondence regarding your **DIGITAL INVERTER GENERATOR** or when ordering replacement parts.

### FIGURE E PARTS LIST

KEY NO.	PART NUMBER	DESCRIPTION	QTY
1	00252000502081	Screw (M5 × 20 mm) .....	3
2	14760100001001	Cylinder Head Cover .....	1
3	14760100002081	Cylinder Head Cover Seal .....	1
4	14760101001101	Valve Oil Seal .....	2
5	00252000502581	Dual-Head Bolt (M5 × 25 mm) .....	6
6	14760100005041	Dual-Head Bolt (M5 × 28 mm) .....	2
7	14760100003001	Cam .....	1
8	00252000501481	Screw (M5 × 14 mm) .....	5
9	14870101100001	Upper Crankcase .....	1
10	14770100004041	Washer (ID30 × OD37 × 1t) .....	1
11	14760100007102	Oil Seal .....	1
12	14760102101003	Oil Gauge .....	1
13	14760102102101	Oil Gauge Gasket .....	1
14	00510000400801	Dowell Pin .....	1
15	14770102003081	Ventilation Nozzle .....	1
16	14760102001001	Lower Crankcase .....	1
17	00204000501681	Screw (M5 × 16 mm) .....	2
18	00204000504041	Screw (M5 × 40 mm) .....	4
19	14760102002101	Rubber Valve .....	1
20	14760501000001	One-Way Valve Component .....	1
21	14760103003081	Dual-Head Bolt (M6 × 36 mm) .....	4
22	00031000601281	Bolt (M6 × 12 mm, Flange Hex Hd.) .....	1
23	14760103002031	Aluminium Gasket .....	1
24	14760103001001	Oil Pan .....	1
25	14620103100001	Oil Level Sensor .....	1
26	00252000601881	Screw (M6 × 18 mm) .....	2

### FIGURE F PARTS LIST

KEY NO.	PART NUMBER	DESCRIPTION	QTY
1	14760100006001	Bushing .....	1
2	14760401100081	Camshaft .....	1
3	14760400010041	Rocker Gasket .....	1
4	00504000402003	Pin (G4 × 20 mm) .....	1
5	00504000603003	Pin (G6 × 30 mm) .....	1
6	14760400006002	Lower Rocker .....	2
7	14760400009002	Tappet .....	2
8	14760400005002	Upper Rocker Assembly .....	2
9	00504000503203	Pin (G6 × 32 mm) .....	1
10	14760400003002	Valve Spring Seat .....	2
11	14760400004002	Valve Spring .....	2
12	14760400001101	Intake Valve .....	1
13	14760400002101	Exhaust Valve .....	1

**NOTE:** OWT Industries, Inc., will not provide engines as replacement parts. Engines are covered through the engine manufacturer's warranty. Consult the accompanying engine manual or contact our service department for assistance.

\* Not all parts shown on the exploded view are available. Some parts are shown to identify position and location of parts that are available.

FIGURE G

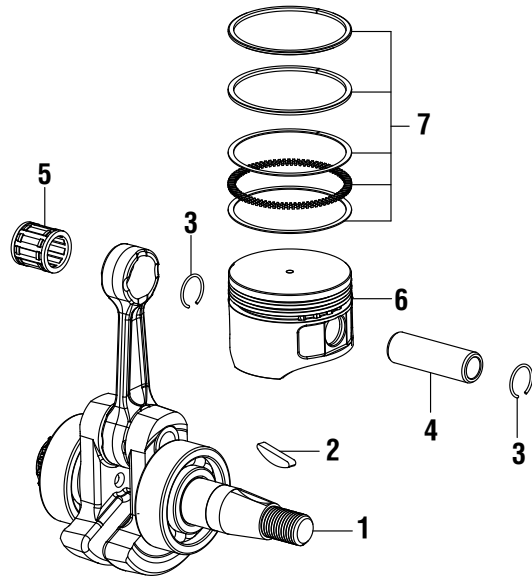


FIGURE I

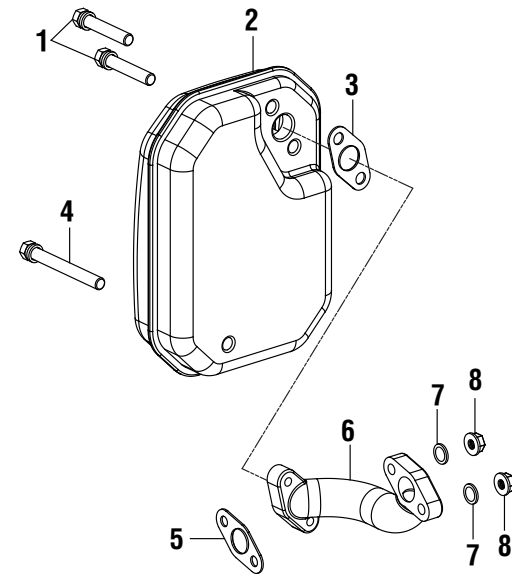


FIGURE H

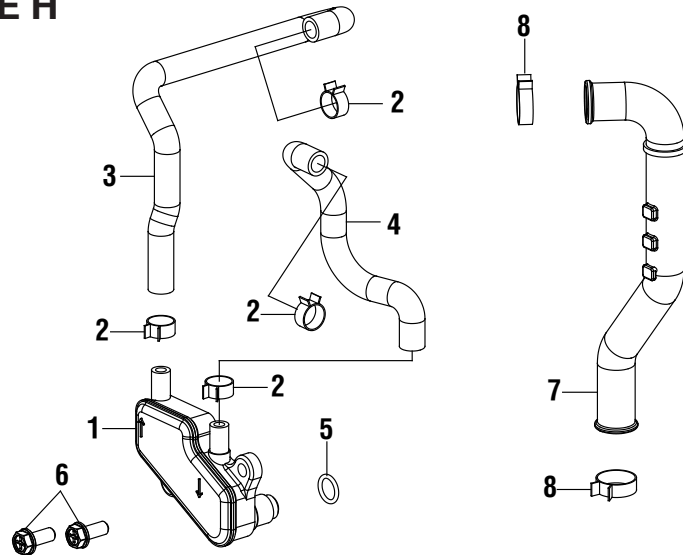
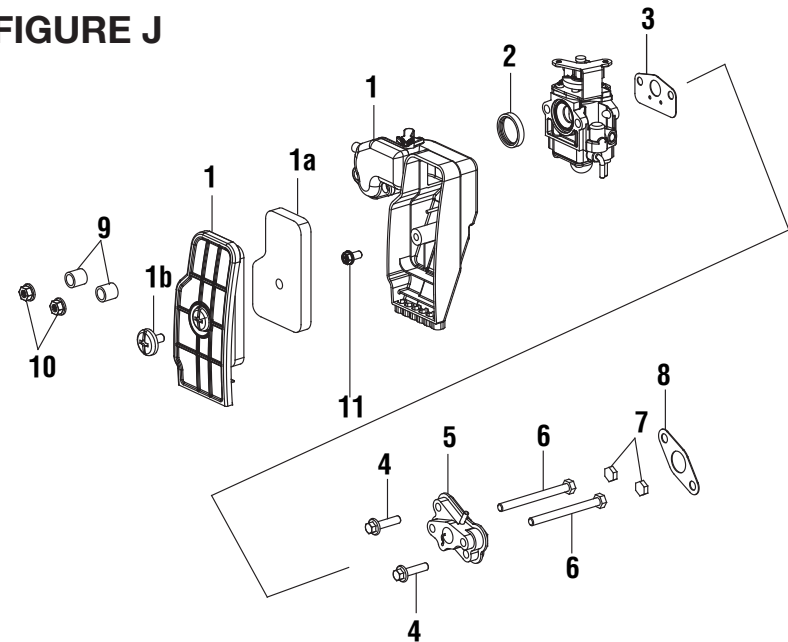


FIGURE J



## BAJA DIGITAL INVERTER GENERATOR – MODEL NO. BAI911LP

The model number will be found on a label attached to motor housing. Always mention the model number in all correspondence regarding your **DIGITAL INVERTER GENERATOR** or when ordering replacement parts.

### FIGURE G PARTS LIST

KEY NO.	PART NUMBER	DESCRIPTION	QTY
1	14760302000001	Connecting Rod .....	1
2	11310300010001	Woodruff Key.....	1
3	14760300001002	Piston Pin Clip.....	2
4	14760300002002	Piston Pin .....	1
5	00833710141402	Needle Bearing (K101414).....	1
6	14810301001001	Piston .....	1
7	14780301006001	Piston Ring .....	1

### FIGURE I PARTS LIST

KEY NO.	PART NUMBER	DESCRIPTION	QTY
1	00722000603581	Bolt (M6 × 35 mm).....	2
2	14760701000001	Muffler .....	1
3	14760700003081	Muffler Pipe Gasket.....	1
4	00722000605581	Bolt (M6 × 55 mm).....	1
5	14760700001081	Muffler Gasket.....	1
6	14760700002003	Muffler Pipe .....	1
7	00030000500081	Washer (M5) .....	2
8	00101000500081	Hex Flange Nut (M5).....	2

### FIGURE H PARTS LIST

KEY NO.	PART NUMBER	DESCRIPTION	QTY
1	14760502000102	Deaerator.....	1
2	14760500005081	Hose Clip (8/9).....	4
3	14760500002001	Respiratory Hose.....	1
4	14760500003001	Outlet Tube .....	1
5	14760500004003	O-Ring .....	1
6	00031000501681	Bolt (M5 × 16 mm, Flange Hex Hd.).....	2
7	14760500001001	Upper Lubricant Hose .....	1
8	11311600006081	Hose Clip (13/14).....	2

### FIGURE J PARTS LIST

KEY NO.	PART NUMBER	DESCRIPTION	QTY
1	14870801000101	Air Filter Base & Air Filter Cover .....	1
1a	14760801003002	Foam .....	1
1b	14760801007081	Chrome Plated Screw (Big Head).....	1
2	14760800004001	Air Filter Gasket.....	1
3	14780800003081	Carburetor Gasket.....	1
4	00033000502281	Bolt (M5 × 22 mm, Flange Hex Hd.).....	2
5	14870801001001	Insulation Board Component .....	1
6	00026000505581	Bolt (M5 × 55 mm, Flange Hex Hd.).....	2
7	14810800003001	Rubber Block.....	2
8	14810800001081	Insulation Board Gasket.....	1
9	15561100004002	Fan Volute Bushing .....	2
10	00129000500081	Nut (M5).....	2
11	00427014801681	Screw (M4.8 × 16 mm) .....	1

**NOTE:** OWT Industries, Inc., will not provide engines as replacement parts. Engines are covered through the engine manufacturer's warranty. Consult the accompanying engine manual or contact our service department for assistance.

\* Not all parts shown on the exploded view are available. Some parts are shown to identify position and location of parts that are available.

FIGURE K

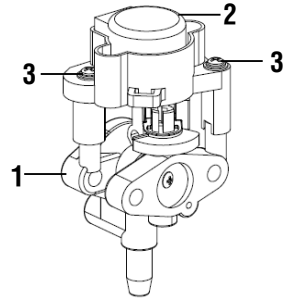


FIGURE M

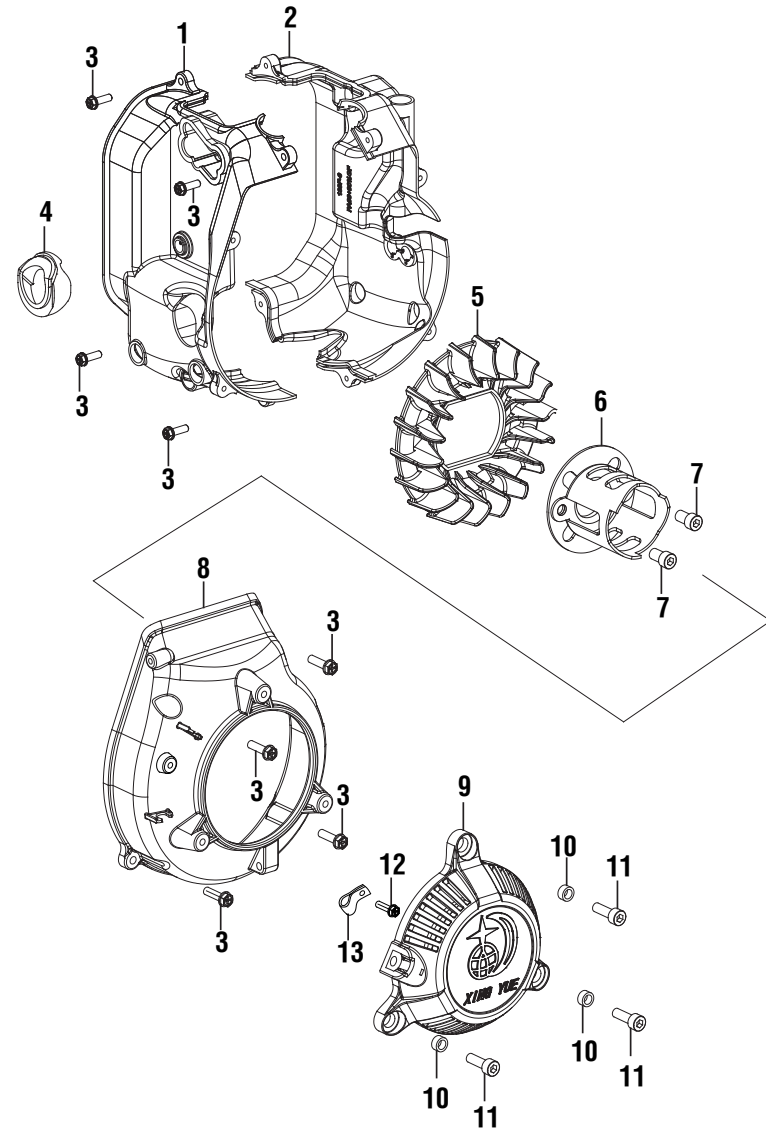
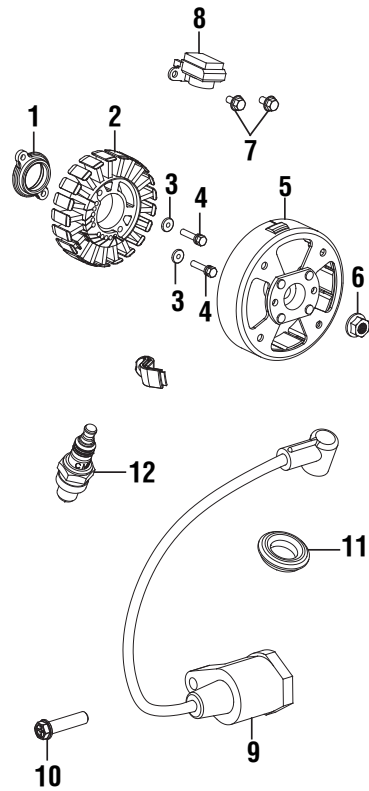


FIGURE L



## BAJA DIGITAL INVERTER GENERATOR – MODEL NO. BAI911LP

The model number will be found on a label attached to motor housing. Always mention the model number in all correspondence regarding your **DIGITAL INVERTER GENERATOR** or when ordering replacement parts.

### FIGURE K PARTS LIST

KEY NO.	PART NUMBER	DESCRIPTION	QTY
1	14870901000001	Vaporizer.....	1
2	465020010000	Stepper Motor .....	1
3	007090003008	Screw (M4 x 25 mm) .....	2

### FIGURE L PARTS LIST

KEY NO.	PART NUMBER	DESCRIPTION	QTY
1	14761000001001	Locating Plate .....	1
2	14871001100201	Stator Assembly (Inc. Key No. 2a).....	1
3	00030000500081	Washer (M5) .....	2
4	00033000502281	Bolt (M5 x 22 mm, Flange Hex Hd.).....	2
5	14761001200101	Rotor.....	1
6	00129001000081	Hex Flange Nut (M10).....	1
7	00033000501081	Bolt (M5 x 10 mm, Hex Flange Hd.).....	2
8	14761000004003	Trigger.....	1
9	14761003000181	Ignition Coil .....	1
10	00241004802581	Screw (M4.8 x 25 mm) .....	1
11	14761000003081	Ignition Coil Cap Seal.....	1
12	14761002000001	Spark Plug (CMR6A) .....	1
<b>Not Shown:</b>			
2a	14761000002002	Bushing	

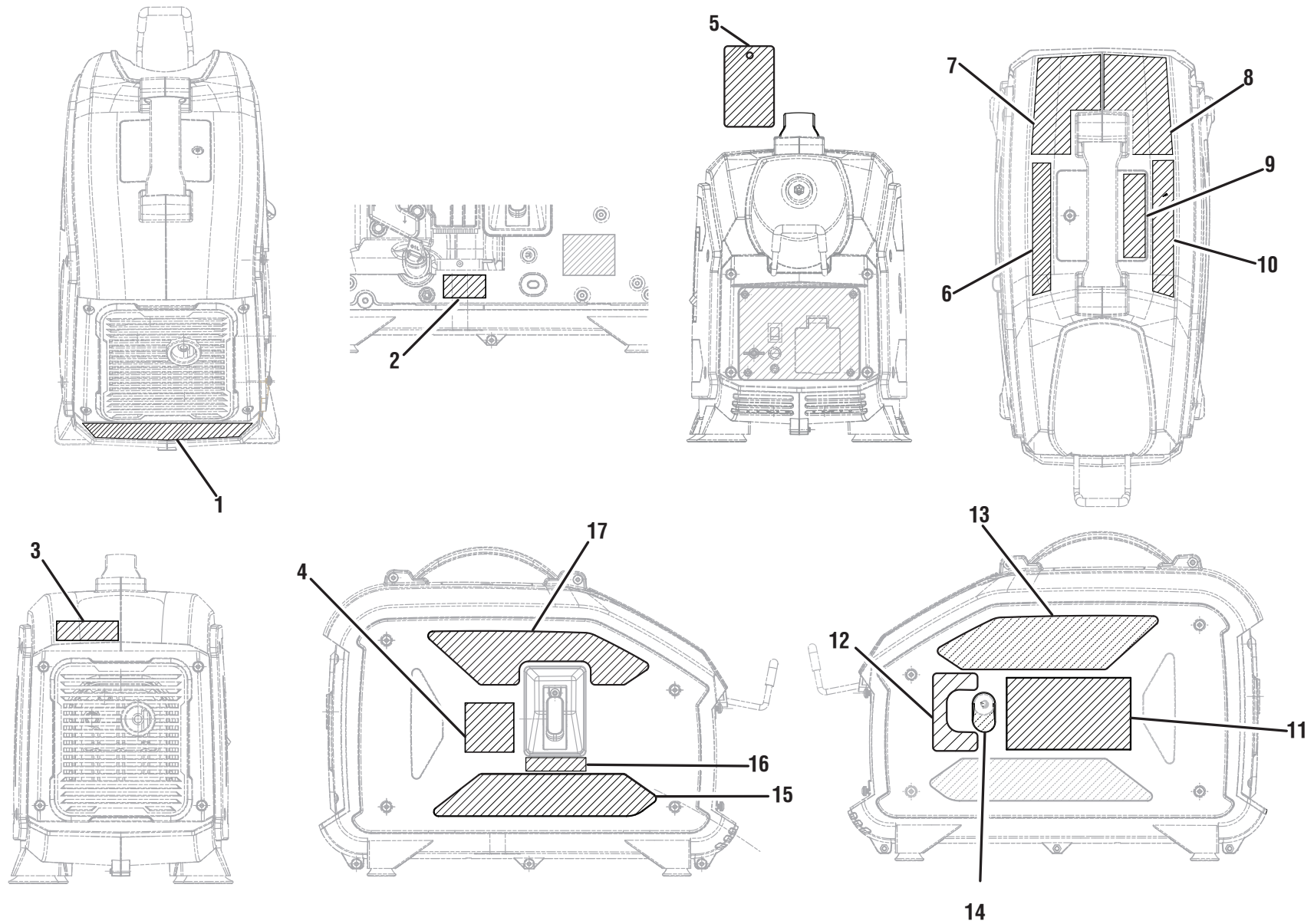
### FIGURE M PARTS LIST

KEY NO.	PART NUMBER	DESCRIPTION	QTY
1	14811100001002	Air Guide Sleeve (A).....	1
2	14761100014002	Air Guide Sleeve (B).....	1
3	00427014801681	Screw (M4.8 x 16 mm) .....	8
4	14761100006003	Pad .....	1
5	14761100001003	Cooling Fan .....	1
6	14760602000001	Starting Hub .....	1
7	00204000601081	Screw (M6 x 10 mm, Hex Hd.).....	2
8	14761100002081	Fan Volute.....	1
9	14760601000002	Recoil Starter.....	1
10	15600600002003	Recoil Starter Bushing.....	3
11	00031000501681	Bolt (M5 x 16 mm, Flange Hex Hd.).....	3
12	00421114201081	Screw (M4.2 x 10 mm) .....	1
13	14761000006081	Ignition Coil Wires Clamp.....	1

**NOTE:** OWT Industries, Inc., will not provide engines as replacement parts. Engines are covered through the engine manufacturer's warranty. Consult the accompanying engine manual or contact our service department for assistance.

\* Not all parts shown on the exploded view are available. Some parts are shown to identify position and location of parts that are available.

FIGURE N



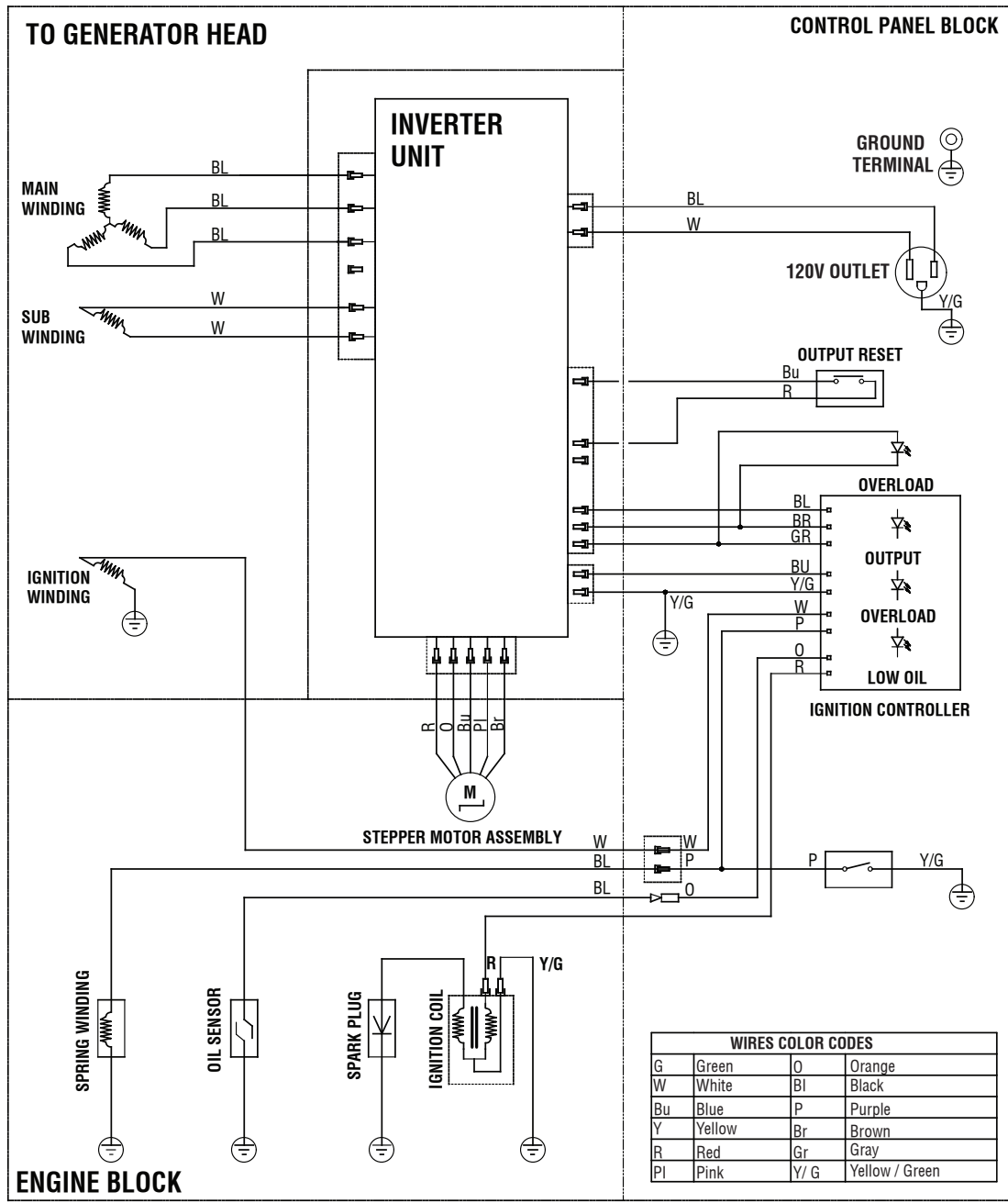
## BAJA DIGITAL INVERTER GENERATOR – MODEL NO. BAI911LP

The model number will be found on a label attached to motor housing. Always mention the model number in all correspondence regarding your **DIGITAL INVERTER GENERATOR** or when ordering replacement parts.

### FIGURE N PARTS LIST

KEY NO.	PART NUMBER	DESCRIPTION	QTY
1	940947030	Combustion Label.....	1
2	940911003	Maintenance Label .....	1
3	940680092	Hot Surface Label (English/Spanish) .....	1
4	940708029	Lubricant Label .....	1
5	940971103	Warning Hangtag .....	1
6	940654355	Storage Tips Label.....	1
7	940515029	CPSC Label (English).....	1
8	940515031	CPSC Label (Spanish) .....	1
9	941486010	Inquiries Label.....	1
10	940617196	Starting Instructions Label.....	1
11	940707053	LP Warning Label.....	1
12	940721016	Primer Button Label.....	1
13	940974023	Fire Distance Label .....	1
14	940721012	Primer Button.....	1
15	940779218	Performance Label (Bottom).....	1
16	940721013	Primer Reminder Label .....	1
17	940779219	Performance Label (Top).....	1

# BAJA DIGITAL INVERTER GENERATOR – MODEL NO. BAI911LP



## WIRING DIAGRAM