

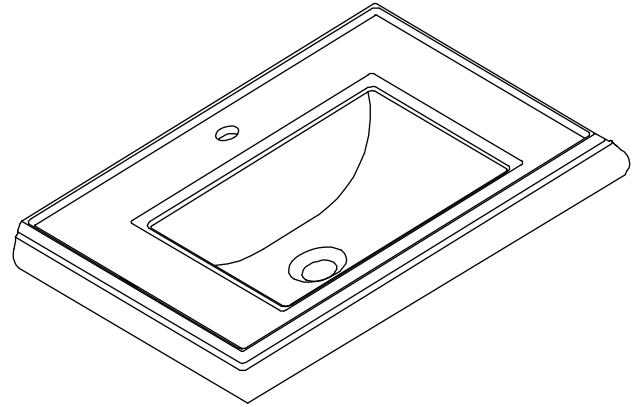
Features

- Vitreous china
- Drop-in
- ADA compliant when installed according to ADA guidelines
- With overflow
- 8" (203 mm) centers (-8), 4" (102 mm) centers (-4), or single-hole (-1)
- Available with KOHLER Artist Editions designs
- 22-3/4" (578 mm) x 18" (457 mm)

Codes/Standards Applicable

Specified model meets or exceeds the following:

- ADA
- ASME A112.19.2/CSA B45.1
- ICC/ANSI A117.1



Colors/Finishes

- 0: White
- Other: Refer to Price Book for additional colors/finishes

Accessories

- CP: Polished Chrome
- Other: Refer to Price Book for additional colors/finishes

Specified Model

Model	Description	Colors/Finishes	
K-2241-1	Bathroom sink with single hole	<input type="checkbox"/> 0	<input type="checkbox"/> Other_____
K-2241-4	Bathroom sink with 4" (102 mm) centers	<input type="checkbox"/> 0	<input type="checkbox"/> Other_____
K-2241-8	Bathroom sink with 8" (203 mm) centers	<input type="checkbox"/> 0	<input type="checkbox"/> Other_____
K-14229	Bathroom sink with 8" (203 mm) centers - Artist Editions	<input type="checkbox"/> 0	<input type="checkbox"/> Other_____

Recommended Accessories			
K-8998	P-trap	<input type="checkbox"/> CP	<input type="checkbox"/> Other_____

Product Specification

The self-rimming bathroom sink shall be 22-3/4" (578 mm) in length, and 18" (457 mm) in width. Bathroom sink shall be made of vitreous china. Bathroom sink shall have single-hole (-1), 4" (102 mm) centers (-4), or 8" (203 mm) centers (-8). Bathroom sink shall be available with KOHLER Artist Editions designs. Bathroom sink shall have overflow. Bathroom sink shall be ADA complaint when installed according to ADA guidelines. Bathroom sink shall be Kohler Model K-2241-_____-_____.

MEMOIRS®

Technical Information

Fixture*:	
Bathroom sink:	
Basin area	17" (432 mm) x 10" (254 mm)
Water depth	5" (127 mm)
Drain hole	Ø 1-3/4" (44 mm)
* Approximate measurements for comparison only.	

Holes	K-2241-1	K-2241-4	K-2241-8 K-14229
Spout	Ø 1-3/8" (35 mm)	Ø 1-1/4" (32 mm)	Ø 1-3/8" (35 mm)
Faucet		Ø 1-1/4" (32 mm)	Ø 1-3/8" (35 mm)

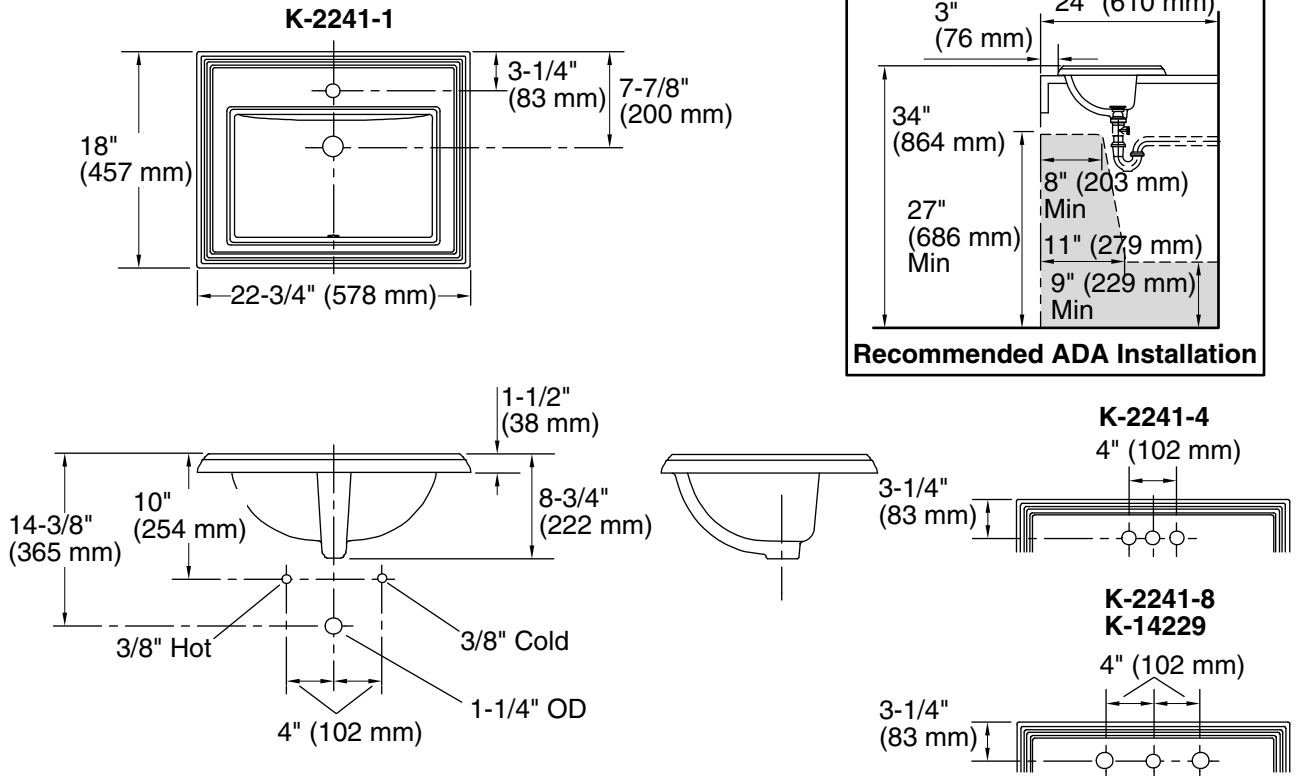
Included components:	
Cut-out template	1003676

provided by Kohler (call 1-800-4-KOHLER). Kohler is not responsible for cutout errors when incorrect cutout template is used.

Installation Notes

Install this product according to the installation guide.

NOTICE: Countertop manufacturer or cutter **must** use the cutout template provided with the product, or a current one



Product Diagram