

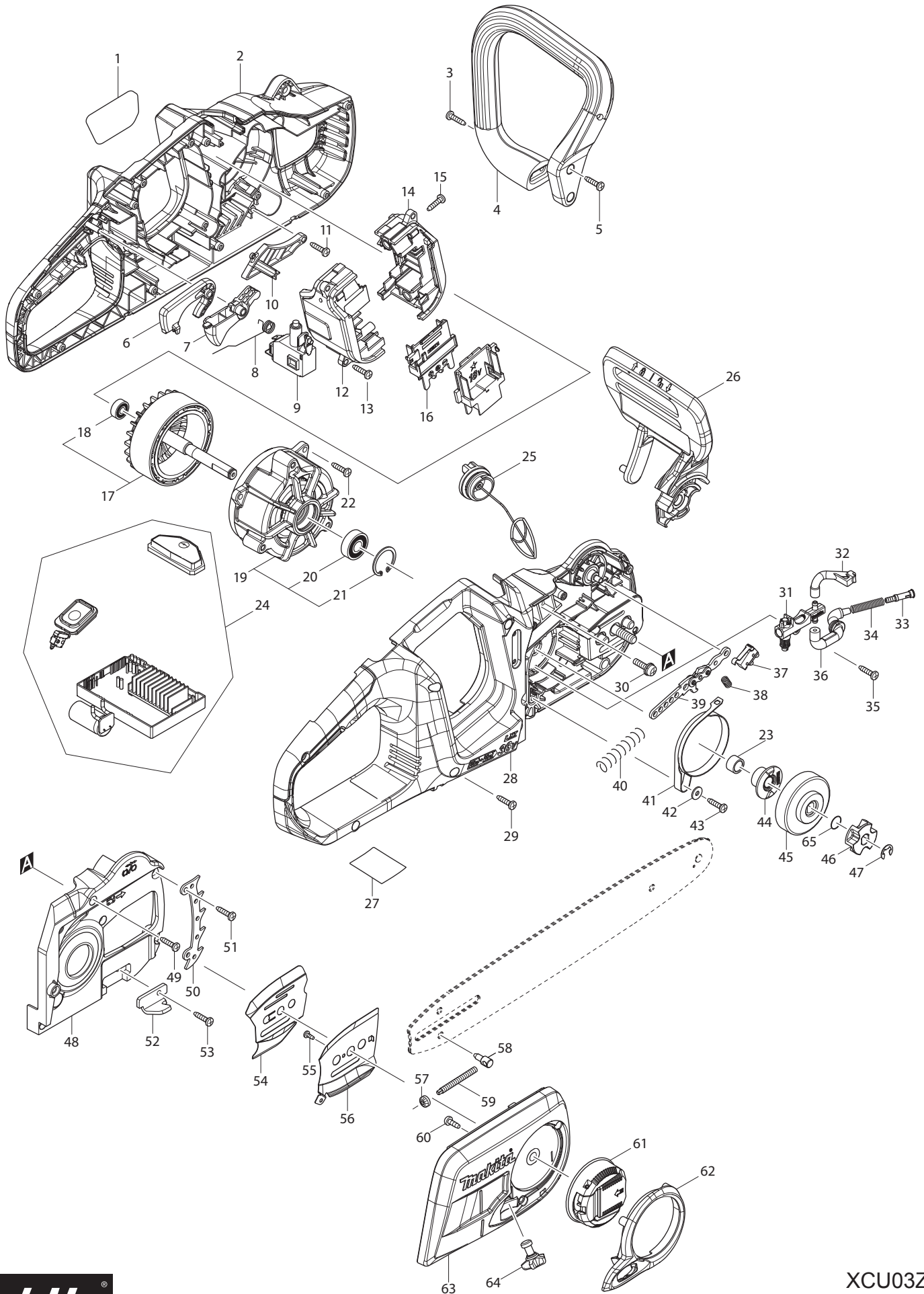
Model XAG06Z Parts List

A = Standard Equipment

O = Circuit Diagram

Item#	Part#	Description	Q'ty	Unit	
001	629139-6	STATOR COMPLETE	1		
002	210034-7	BALL BEARING 607LLB	1	PC.	
003	519354-9	ROTOR ASS'Y	1		
	D10	INC. 2			
004	319214-3	GEAR HOUSING COVER	1		
005	213445-5	O-RING 26	1	PC.	
006	210042-8	BALL BEARING 629LLB	1	PC.	
007	227541-3	SPIRAL BEVEL GEAR 10	1	PC.	
008	252186-8	HEX. NUT M6	1	PC.	
009	417771-6	PIN CAP	1	PC.	
010	233072-2	COMPRESSION SPRING 8	1	PC.	
011	266361-0	TAPPING SCREW 4X30	4	PC.	
012	213960-9	O RING 5	1	PC.	
013	256546-6	SHOULDER PIN 4	1	PC.	
014	319213-5	GEAR HOUSING	1		
015	263002-9	RUBBER PIN 4	1	PC.	
016	210033-9	BALL BEARING 696ZZ	1	PC.	
017	233950-6	RING SPRING 11	1	PC.	
018	227641-9	SPIRAL BEVEL GEAR 37	1		
019	962151-6	RETAINING RING R-32	1	PC.	
020	211129-9	BALL BEARING 6201DDW	1	PC.	
021	267113-2	FLAT WASHER 12	1	PC.	
022	213622-9	O RING 45	1	PC.	
023	318331-6	BEARING BOX	1	PC.	
024	911121-2	PAN HEAD SCREW M4X14	4	PC.	
025	345464-4	LABYRINTH RING	1	PC.	
026	324955-8	SPINDLE A	1	PC.	
027	123144-0	TOOLLESS WHEELCOVER 115AK ASSY	1	PC.	
	C10	213009-5	O RING 4	1	PC.
	C20	265180-1	PAN HEAD SCREW M5X16	1	PC.
028	224399-1	INNER FLANGE 45	1	PC.	
029	193465-4	LOCK NUT 5/8-45	1	PC.	
030	850L04-2	XAG06 NAME PLATE	1		
031	266326-2	TAPPING SCREW 4X18	5	PC.	
032	455450-8	DUST COVER R	1		
033	183A52-3	MOTOR HOUSING SET	1		
	C10	263005-3	RUBBER PIN 6	2	PC.
	D10	INC. 41			
036	632E12-1	SWITCH UNIT	1	PC.	
037	234357-9	COMPRESSION SPRING 11	1		
038	142976-6	SWITCH LEVER COMPLETE	1		
039	142901-7	INDICATOR PANEL COMPLETE	1		
040	650734-1	SWITCH TG73BDS-2	1		
041	183A52-3	MOTOR HOUSING SET	1		
	C10	263005-3	RUBBER PIN 6	2	PC.
	D10	INC. 33			
042	455449-3	DUST COVER L	1		
043	643899-6	TERMINAL	1	PC.	
046	850L08-4	XAG06 SERIAL NO. LABEL	1		
A01	A-95956	INOX GRINDING WHEEL 115MM	1	PC.	

A02	158237-4	GRIP 36 COMPLETE	1 PC.
A03	782424-9	LOCK NUT WRENCH 28	1 PC.
A04	122910-2	WHEEL COVER 115CK ASSEMBLY	1 PC.
	C10 213009-5	O RING 4	1 PC.
	C20 265180-1	PAN HEAD SCREW M5X16	1 PC.
A05	724115-A-25	THIN CUTTING 115	1 PC.
E01	805C42-5	CAUTION LABEL	1



Model XCU03Z Parts List

A = Standard Equipment

O = Circuit Diagram

Item#	Part#	Description	Q'ty	Unit
001	810X87-6	XCU03 MODEL NO. LABEL	1	
002	183F24-8	HOUSING SET	1	
	C10 810R30-9	CAUTION LABEL	1	
	D10	INC. 28		
003	266326-2	TAPPING SCREW 4X18	2	PC.
004	457007-1	FRONT HANDLE	1	
005	266326-2	TAPPING SCREW 4X18	2	PC.
006	457013-6	CATCH LEVER	1	
007	457006-3	SWITCH LEVER	1	
008	232318-3	TORSION SPRING 10	1	PC.
009	650781-2	SWITCH C3JW-6B-P	1	
010	457010-2	HOUSING L COVER	1	
011	266326-2	TAPPING SCREW 4X18	1	PC.
012	183F15-9	TERMINAL BOX SET	1	
	C10 263005-3	RUBBER PIN 6	4	PC.
	D10	INC. 14		
013	266326-2	TAPPING SCREW 4X18	4	PC.
014	183F15-9	TERMINAL BOX SET	1	
	C10 263005-3	RUBBER PIN 6	4	PC.
	D10	INC. 12		
015	266326-2	TAPPING SCREW 4X18	2	PC.
016	643874-2	TERMINAL	2	PC.
017	519411-3	ROTOR ASS'Y	1	
	D10	INC. 18		
018	210028-2	BALL BEARING 606ZZ	1	PC.
019	592H45-5	STATOR ASS'Y	1	
	D10	INC. 20,21		
020	210059-1	BALL BEARING 6000DDW	1	PC.
021	962105-3	RETAINING RING R-26	1	PC.
022	266326-2	TAPPING SCREW 4X18	3	PC.
023	257402-3	SLEEVE 10	1	
024	144483-5	CONTROLLER COMPLETE	1	
025	168399-0	TANKCAP COMPLETE	1	PC.
026	144234-6	FRONT HAND GUARD COMPLETE	1	
	C10 810R20-2	CAUTION LABEL	1	
027	852V63-2	XCU03 NAME PLATE	1	
028	183F24-8	HOUSING SET	1	
	C10 810R30-9	CAUTION LABEL	1	
	D10	INC. 2		
029	266326-2	TAPPING SCREW 4X18	8	PC.
030	911233-1	PAN HEAD SCREW M5X20	3	PC.
031	142156-4	OIL PUMP COMPLETE	1	PC.
032	424904-6	CONNECTOR B	1	
033	452666-6	NIPPLE	1	PC.
034	234207-8	COMPRESSION SPRING 6	1	PC.
035	266326-2	TAPPING SCREW 4X18	1	PC.
036	424903-8	CONNECTOR A	1	
037	632H47-0	SWITCH UNIT	1	PC.
038	231298-0	COMPRESSION SPRING 6	1	PC.

039	163448-8	LINKPLATE COMPLETE	1 PC.
040	232319-1	COMPRESSION SPRING 9	1 PC.
041	345454-7	BRAKE BAND	1 PC.
042	267195-4	FLAT WASHER 4	1 PC.
043	266326-2	TAPPING SCREW 4X18	1 PC.
044	221427-3	WORM GEAR	1 PC.
045	161526-8	BRAKE DRUM COMPLETE	1 PC.
046	221464-7	SPROCKET 6	1
047	961013-5	STOP RING E-7	1 PC.
048	457004-7	HOUSING R COVER	1 PC.
049	266326-2	TAPPING SCREW 4X18	4 PC.
050	347078-5	SPIKE BUMPER	1 PC.
051	266326-2	TAPPING SCREW 4X18	2 PC.
052	347079-3	CHAIN CATCHER	1 PC.
053	266326-2	TAPPING SCREW 4X18	1 PC.
054	346694-0	GUIDE PLATE ES	1
055	266166-8	TAPPING SCREW CT 3X8	1 PC.
056	346699-0	GUIDE PLATE CS	1
057	227496-2	STRAIGHT BEVEL GEAR 14	1 PC.
058	326310-0	ADJUST PIN	1
059	326312-6	ADJUST SCREW	1
060	266427-6	TAPPING SCREW 4X12	3 PC.
061	142235-8	NUT COMPLETE	1
062	454519-5	NUT COVER	1
063	457000-5	SPROCKET COVER	1 PC.
064	142288-7	WHEEL COMPLETE	1 PC.
	C10 213011-8	O RING 7	1 PC.
065	213060-5	O RING 10	1 PC.
A02	165246-6	GUIDE BAR	1 PC.
A03	952-010-630	CHAIN COVER	1 PC.
A04	196741-5	SAW CHAIN SET	1