

GLOBEL®

ENGLISH

Lean-To Roof GARDEN SHED Assembly Instructions

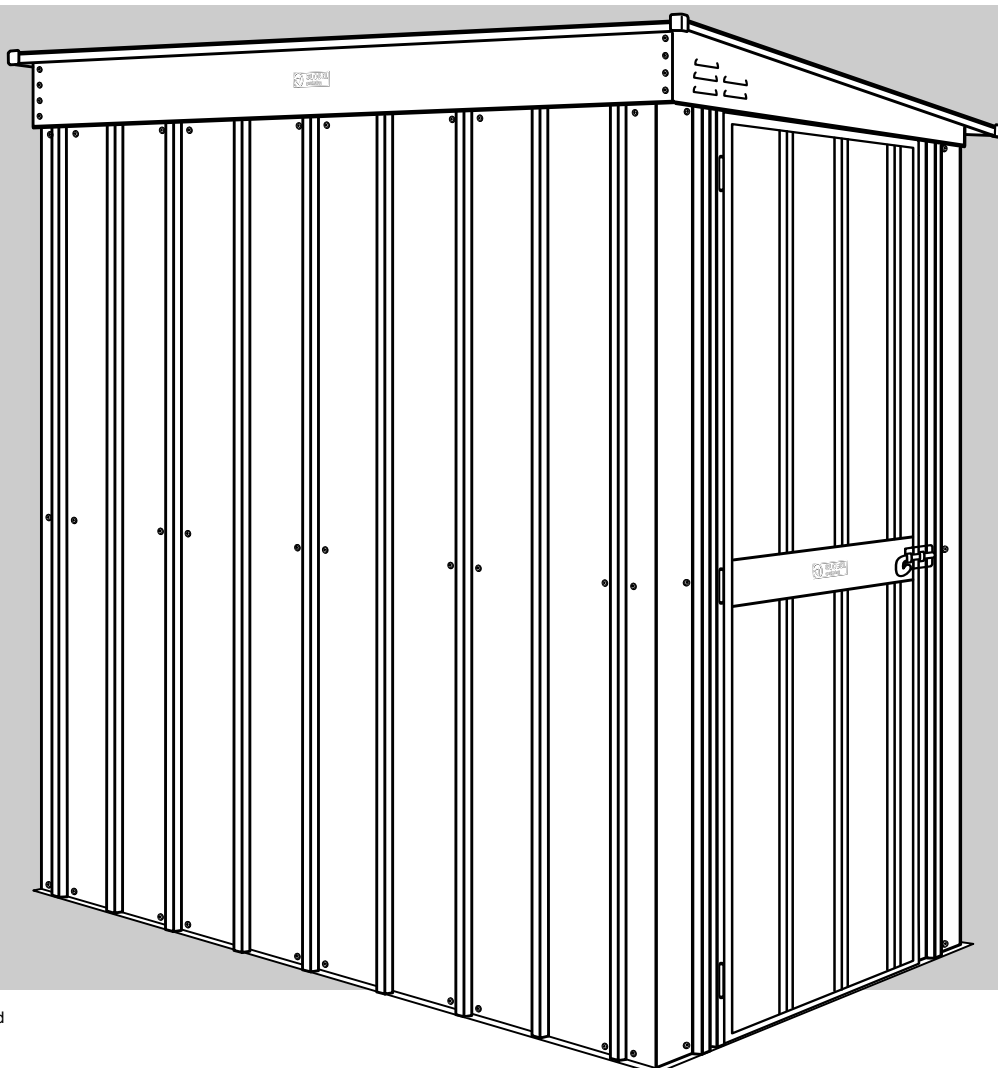
Suitable for Models:

4'w x 6'd

5'w x 6'd

4'w x 8'd

5'w x 8'd



INSTALLATION ADVICE

It's Not That Difficult!

The construction of your shed isn't as complicated as it may first appear.

Our step by step, illustrated instructions are easy to follow, and we provide hints to make the assembly even easier. Simply follow our recommendations and carefully study our illustrations, then your garden shed will be assembled quickly and accurately.

Garden Shed Specifications								
SHED TYPE / SIZE		BASE DIMENSIONS (Sides x Front mm)	ROOF DIMENSIONS (Front x Sides mm)	WALL SHEET HEIGHT mm	OVERALL HEIGHT mm		DOOR OPENING (Height x Width mm)	No. CARTONS (Weight Kg)
Type	Size (Feet)				High	Low		
Hinged Door	4 x 6	1130 x 1710	1240 x 1800	1780	1980	1790	1725 x 670	1 (55)
Hinged Door	5 x 6	1440 x 1710	1550 x 1800	1780	2030	1790	1725 x 670	1 (60)
Hinged Door	4 x 8	1130 x 2340	1240 x 2420	1780	1980	1790	1725 x 670	2 (65)
Hinged Door	5 x 8	1440 x 2340	1550 x 2420	1780	2030	1790	1725 x 670	2 (70)

IMPORTANT! Read These Instructions FIRST.

CHECK THE PARTS:

Before you start, separate and identify all the parts and hardware. (Refer to Parts List diagrams in the following pages).

WARNING: Edges are sharp - Handle with care - Using gloves is highly recommended.
Choking Hazard - This product contains small parts.



WE RECOMMEND you get a second pair of hands to assist you with the assembly.

For simplicity, in most part, this manual illustrates the construction of a 6' deep x 4' wide garden shed, with additional instructions for 8' deep and 5' wide garden sheds inserted where applicable.

NOTE: The **HIGH** profile side of this lean-to shed is designed to be placed against a structure (eg house wall).

Make sure the site you choose for your garden shed is firm and level, and water drains away from the site.

Do not install the garden shed in areas subject to high winds.

Do not assemble the garden shed on a windy day.

Your garden shed should be assembled on a specifically prepared base, ie concrete slab or pavers (or a suitable Garden Shed Foundation Kit) and then secured using the recommended dyna bolts as listed in the "Tools Required" page. A heavy duty polythene sheet should be placed under the foundation to assist in reducing rising dampness from the soil, thus reducing condensation build up in your garden shed.

Once secured, we highly recommend applying silicone along the inside of the base rail to prevent water from seeping under the base frame and into your shed.

Do not backfill against the shed's walls or base, as this will cause corrosion and void the warranty.

Check the labelling on the Parts Cartons to ensure you have the shed model you ordered, and the correct number of Parts Cartons.

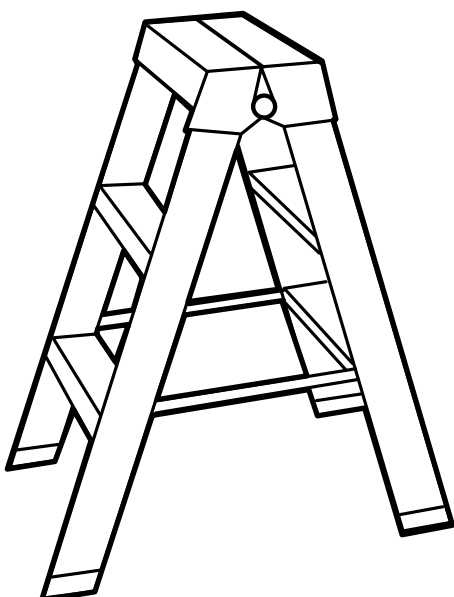
TOOLS INFORMATION:

The tools you need are shown in the "TOOLS REQUIRED" section as all holes for screws and nuts and bolts are pre-drilled (excluding one hole only, which will require a 3mm drill bit) you will only need a power screw driver or a cordless drill with a magnetic Phillips-head tip to make the assembly quicker and easier.

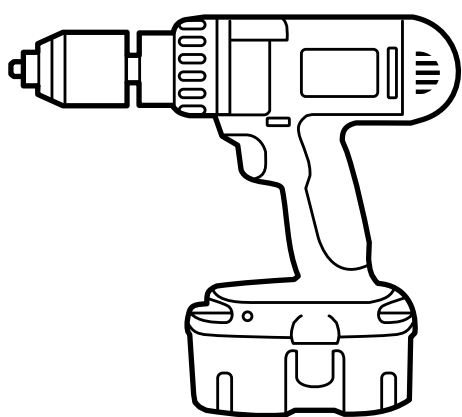
Do not over-tighten self-tapping screws.

Nuts can be tightened by holding your finger on them as you tighten the bolt with the power screw driver - no spanner needed.

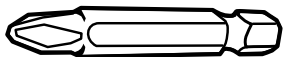
TOOLS REQUIRED



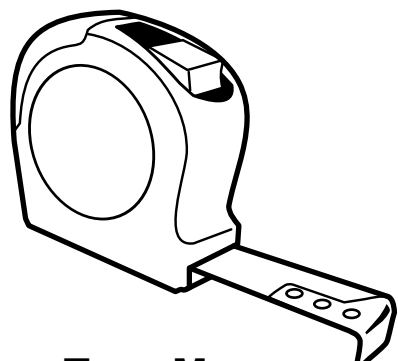
Step Ladder



Battery Power Drill



**Phillips-Head
Screw Driver Bit
(P2)**



Tape Measure



Dyna Bolts
(not supplied)
6.5mm x 36mm
recommended



**Masonry
Drill Bit**
6.5mm



**Steel
Drill Bit**
3mm

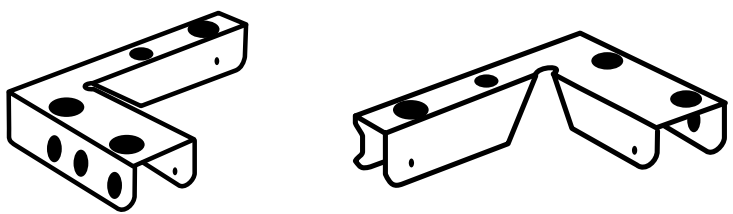
PARTS LIST

SPECIFIC TO MODEL SIZES LISTED

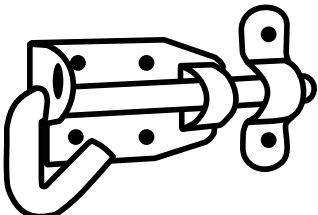
	4' x 6'	5' x 6'	4' x 8'	5' x 8'
CARTON '1'	QTY	QTY	QTY	QTY
Corner Panel	4	4	4	4
Wall Sheet (Full)	5	6	7	8
Wall Sheet (Half)	1	1	1	1
Door Jamb	1	1	1	1
Roof Sheet (Full)	2	2	3	3
Roof Sheet (Half)	1	1	1	1
Door (Hinged)/Door Jamb	1	1	1	1
Roof Starters (One of Each Profile)	2	2	2	2
Fascia Panel	1	1	1 x Left & 1 x Right	1 x Left & 1 x Right
Gables (One of Each Profile)	2	2	2	2
HARDWARE KIT				
NOTE: Hardware Kit is packed in Carton '1' for all models				
Roof Corner Cap	4	4	4	4
Corner Brace	8	8	8	8
Top-Wall Rail Brackets (Two of Each Profile)	4	4	4	4
Door Lock Bolt	1	1	1	1
Screws	1 x bag	1 x bag	1 x bag	1 x bag
Nuts	1 x bag	1 x bag	1 x bag	1 x bag
Bolts	1 x bag	1 x bag	1 x bag	1 x bag
Washers	YES	YES	YES	YES
CARTON '2' -				
(8' deep models only)				
NOTE:				
Carton '2' parts as listed below for 6' wide models are packed in Carton '1'.				
Long Base Rail	2	2	2	2
Short Base Rail	2	2	2	2
Long Mid-Wall Brace	2	2	2	2
Short Mid-Wall Brace	1	1	1	1
Door End Mid-Wall Brace (Left)	1	1	1	1
Door End Mid-Wall Brace(Right)	1	1	1	1
Short Top-Wall Rails (One of Each Profile)	2	2	2	2
High Profile Top Rail	1	1	1	1
Low Profile Top Rail	1	1	1	1
High Profile Roof Trim	1	1	1	1
Low Profile Roof Trim	1	1	1	1

PARTS LIST - Hardware Kit

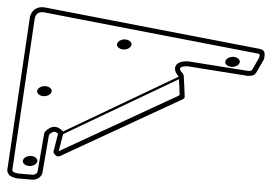
WARNING
• **CHOKING HAZARD** - This product contains small parts.



TOP-WALL RAIL BRACKETS
(TWO PROFILES)



DOOR LOCK BOLT



CORNER BRACE



ROOF
CORNER CAP



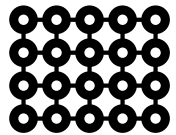
SCREW



BOLT

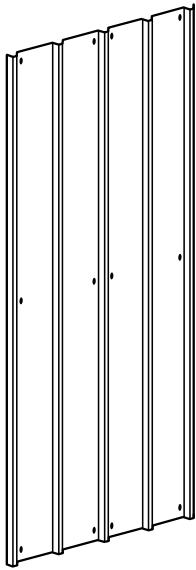


NUT

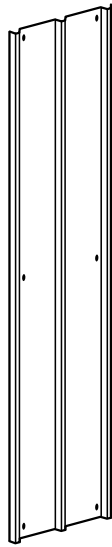


WASHERS

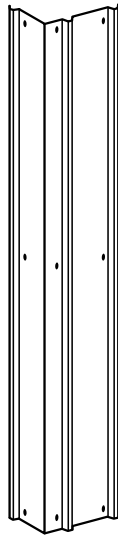
PARTS LIST - Carton '1'



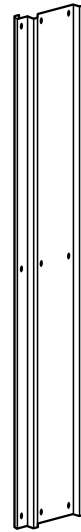
FULL WALL SHEET



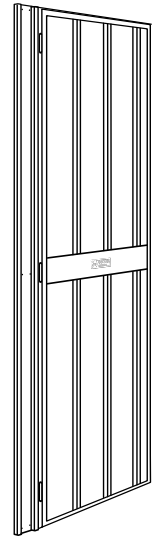
HALF WALL SHEET



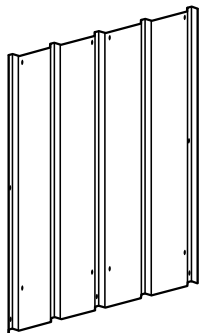
CORNER PANEL



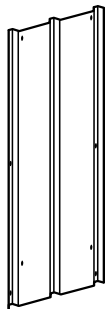
DOOR JAMB



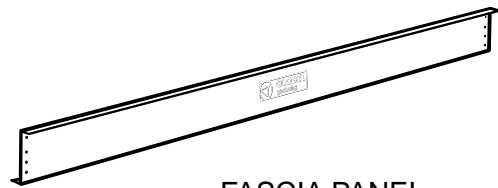
HINGED DOOR / DOOR JAMB



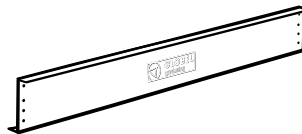
FULL ROOF SHEET



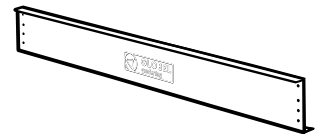
HALF ROOF SHEET



FASCIA PANEL
(6' DEEP SHEDS ONLY)

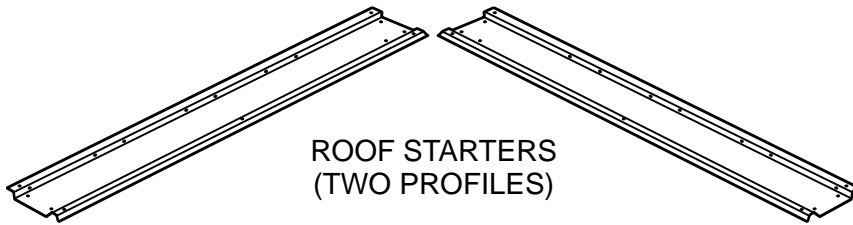


LEFT FASCIA PANEL

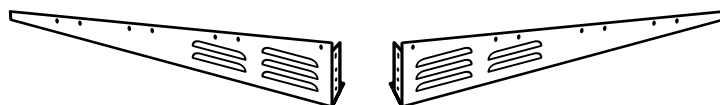


RIGHT FASCIA PANEL

(8' DEEP SHEDS ONLY)

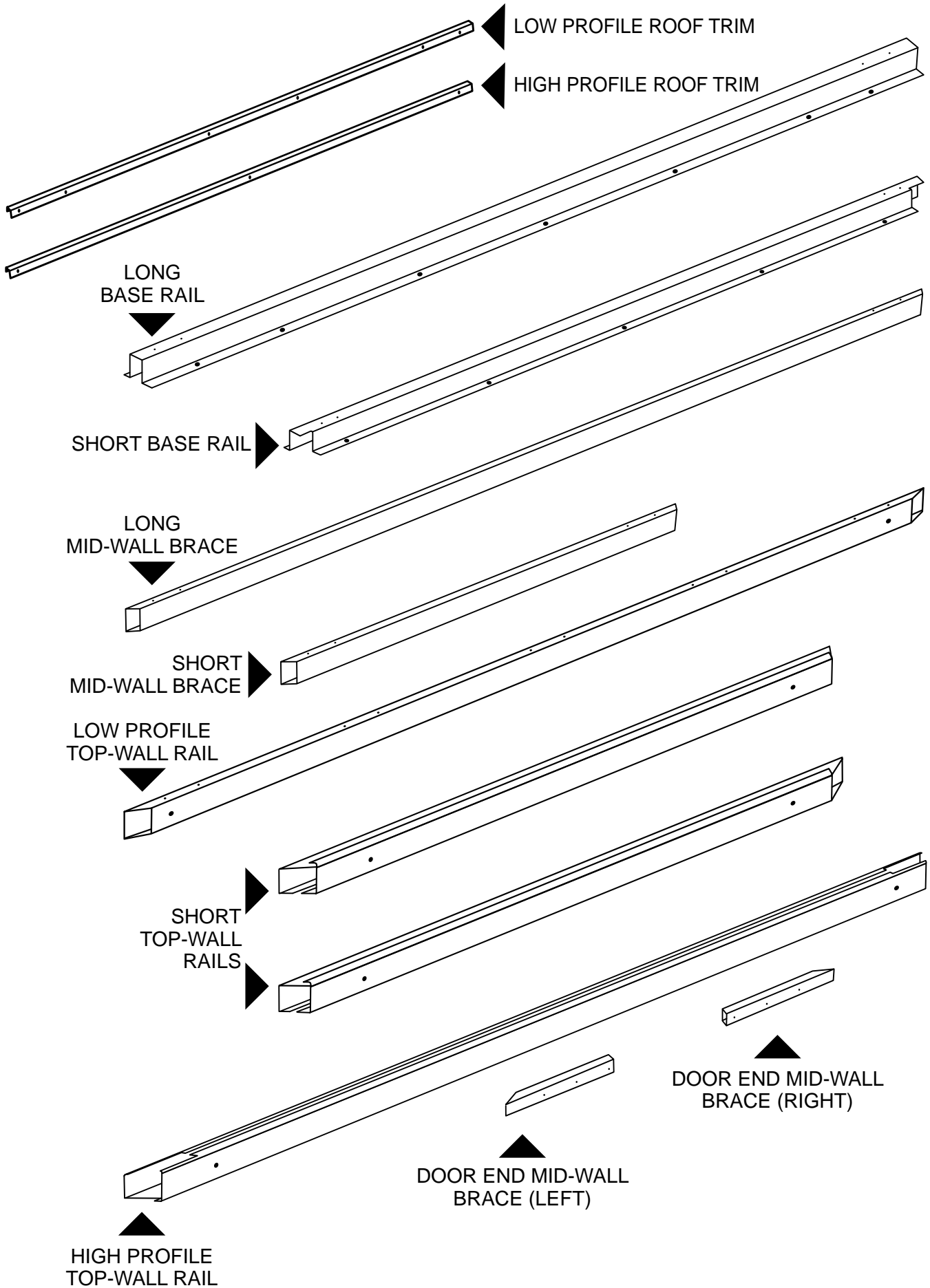


ROOF STARTERS
(TWO PROFILES)



GABLES
(TWO PROFILES)

PARTS LIST - Carton '2'



FOUNDATIONS

Your shed requires a solid foundation.

If you need to construct a concrete slab, this page shows the method and dimensions we recommend.

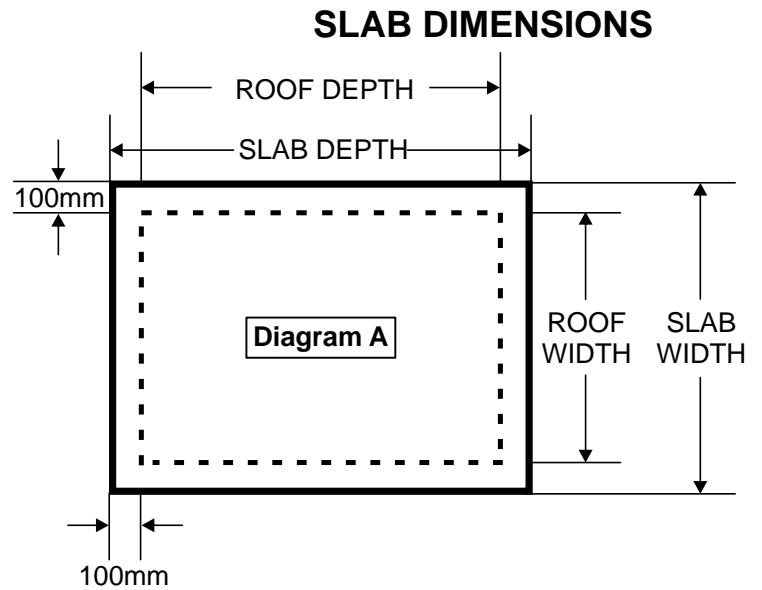
A

Determine the size of the concrete slab

by adding 100mm to the width and 100mm to the depth of the roof size of the shed.

(See Diagram A).

Adding the additional 100mm prevents rainwater from the roof creating a trench, and splashing soil against the walls of the shed, which could cause corrosion.

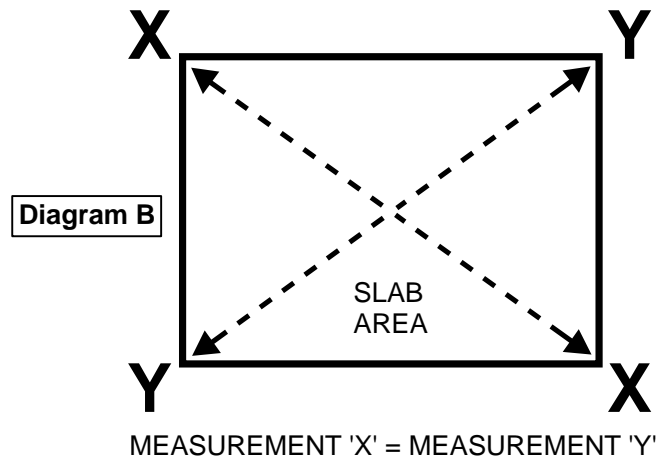


B

Make sure the slab area is square

by ensuring diagonal corner dimensions are equal.

(Diagram B)



C

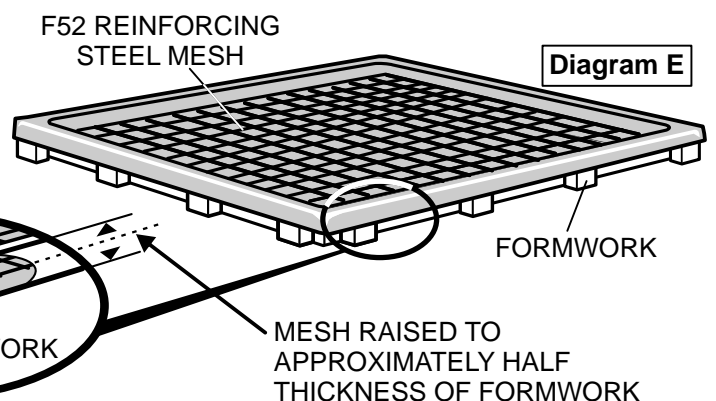
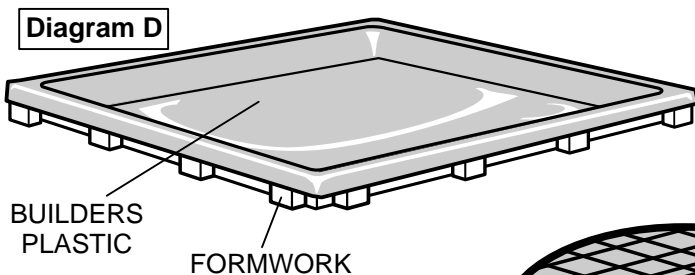
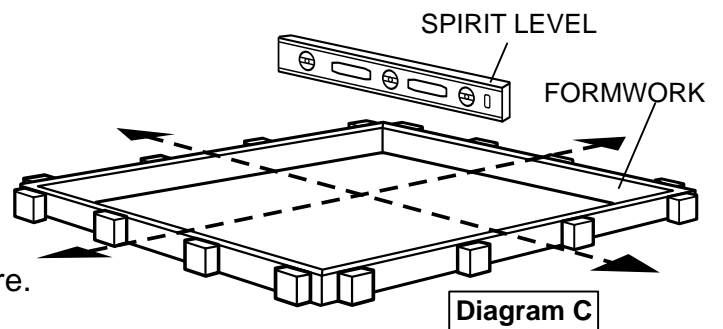
Formwork

must be 100mm thick and level. (Diagram C)

First, lay builders plastic on the ground as a barrier to rising moisture. (Diagram D)

Then place F52 reinforcing steel mesh on top of the builders plastic, ensuring the steel mesh is raised off the plastic to a depth of approximately half the thickness of the formwork. (Diagram E)

Then pour the concrete and allow five days to cure.



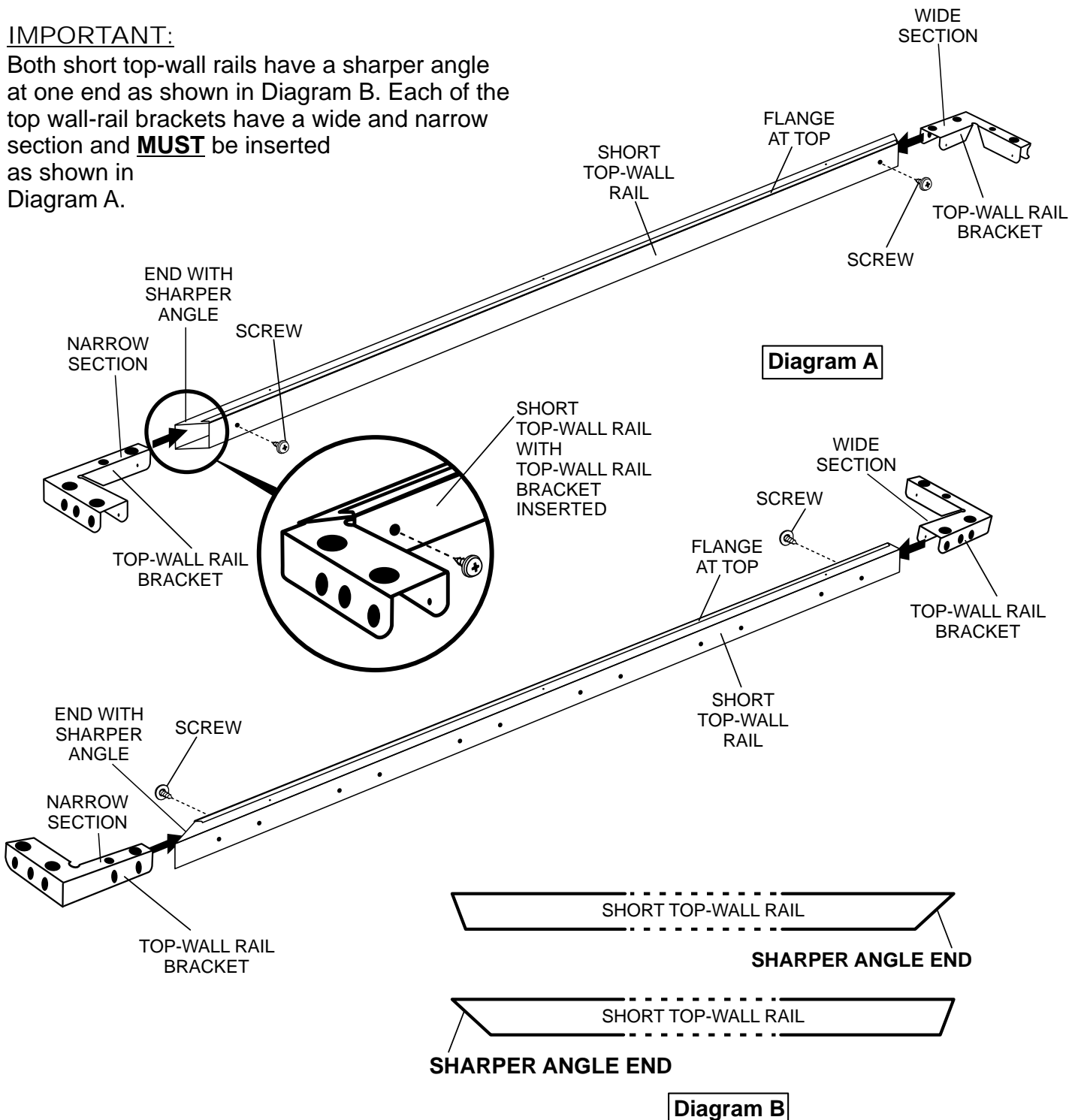
Pre-Assembly

SHORT TOP-WALL RAILS

- (i) Using one of the short top-wall rails, slide the corresponding top-wall rail brackets into each end as shown in Diagram A below. Then secure each end with a screw as shown.
- (ii) Repeat using remaining short top-wall rail and the two top-wall rail brackets.

IMPORTANT:

Both short top-wall rails have a sharper angle at one end as shown in Diagram B. Each of the top wall-rail brackets have a wide and narrow section and **MUST** be inserted as shown in Diagram A.



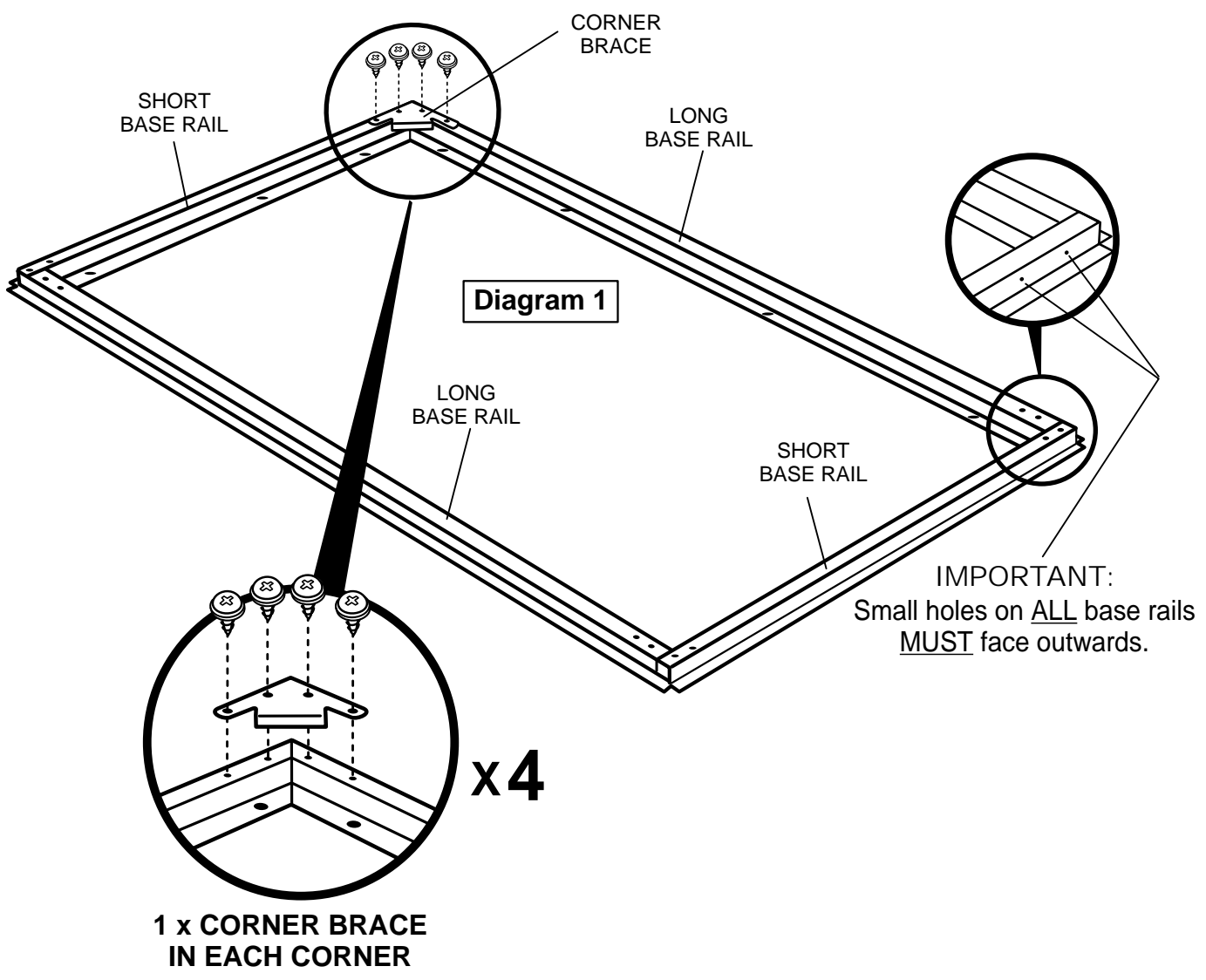
Garden Shed Construction

Step 1 Refer to Diagram 1

IMPORTANT: The small holes on the vertical (side) faces of each base rail MUST face outwards.

Fit four base rails together as shown in Diagram 1.
Then secure base rails together using four corner brackets as shown in Diagram 1.

HINT:
Make sure the frame is square by measuring from corner to corner with a tape measure.

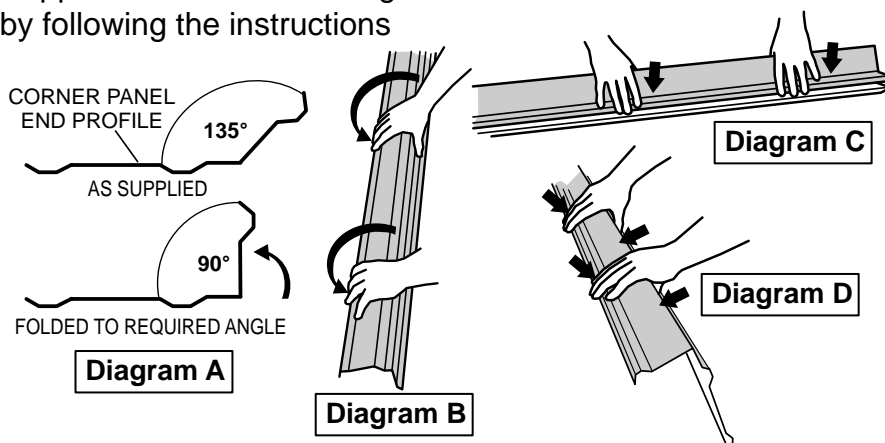


FORMING CORNER PANELS

IMPORTANT: Corner panels are supplied bent to a 135° angle. Bend all four panels to a 90° angle by following the instructions and diagrams to the right.

Lay the panel on a non-scratch surface and carefully form the angle to 90° by slowly working along the panel and bending it as you go. See Diagrams A - D.

IMPORTANT: DO NOT OVER BEND PANEL.



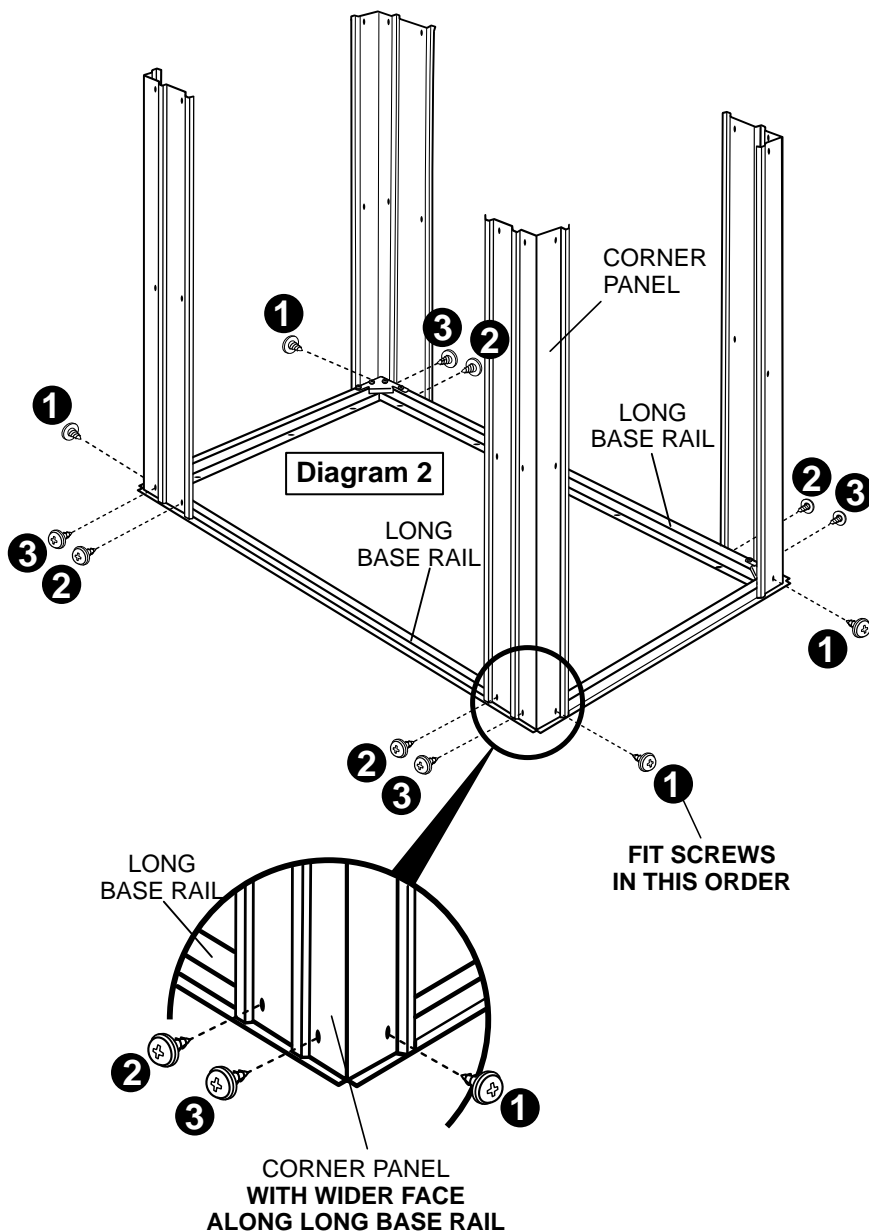
Step 2 FITTING CORNER PANELS

IMPORTANT: Throughout these instructions fit panels and screws in the order shown (where applicable).

Fit corner panels to the outer edges of the base rails at each corner as shown in Diagram 2.

IMPORTANT: WIDER face of panels MUST FACE LONG EDGE OF BASE RAILS.

Secure with three screws in numerical order as shown in Diagram 2.



Step 3

IMPORTANT:

You **MUST** select one short side for the door to be attached, as this will determine the continuing assembly of your lean-to shed.

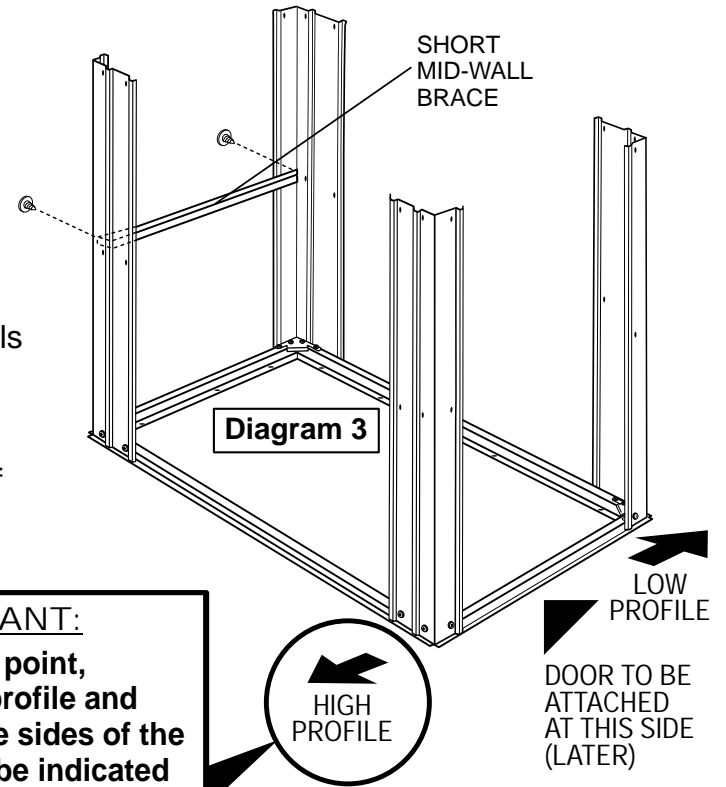
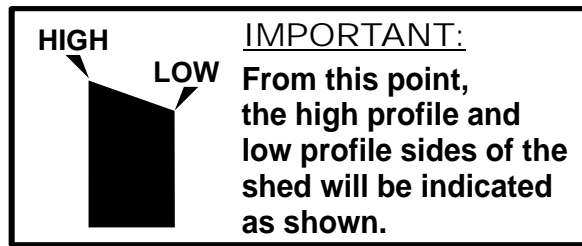
NOTE: For the purpose of this assembly process, we will assume the door will be attached as indicated in Diagram 3.

Fit the short mid-wall brace to the two corner panels at the centre hole position, and secure using a screw at each end of the short mid-wall brace. See Diagram 3.

NOTE: This is now considered the BACK profile of the shed.

IMPORTANT:

Holes at each end on the thin face of the short mid-wall brace **MUST** face upward.



Step 4

This step uses pre-assembled components.

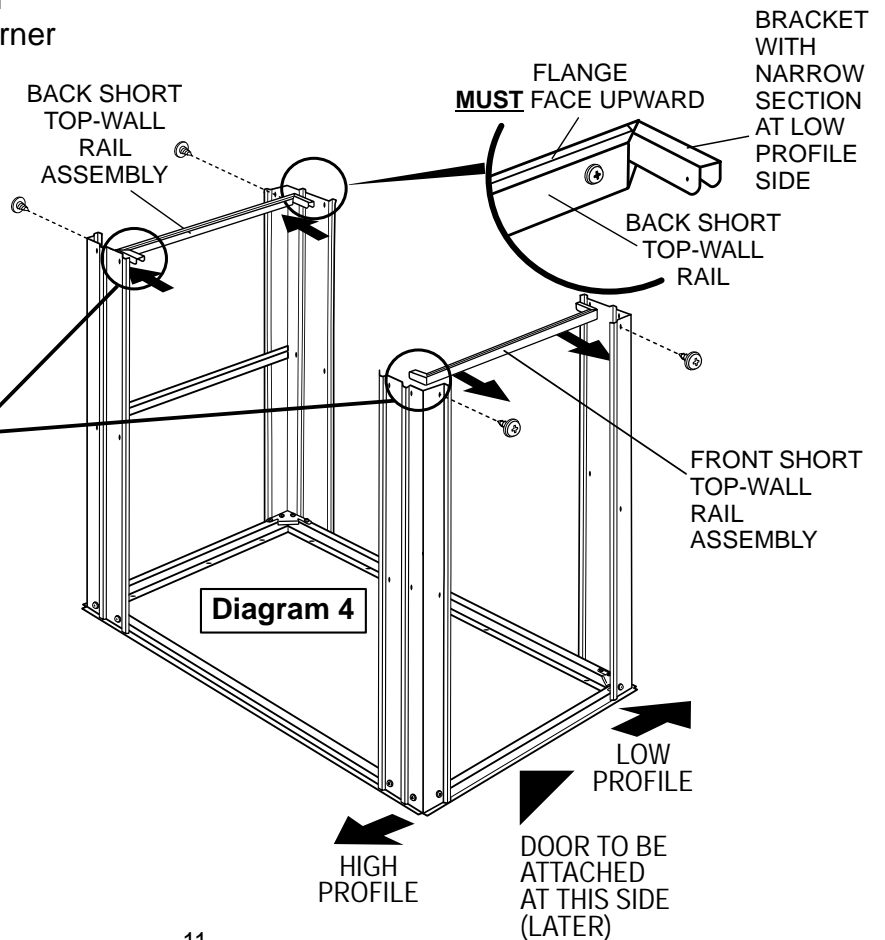
Attach and secure both short top-wall rail assemblies to the inside of the corner panels as shown, using one screw at each end of rail. See Diagram 4.

NOTE:

The two faces of the short top rails, with multiple holes, **MUST** face outwards and top of shed.

IMPORTANT:

The ends of the short top-wall rail assemblies with the **WIDE** section brackets **MUST** be positioned at the **HIGH PROFILE SIDE** of the shed, and the **NARROW** section brackets positioned at the **LOW PROFILE** side of the shed.



Step 5

Attach the LOW PROFILE top rail as shown in Diagram 5.

IMPORTANT:

The two faces of this top rail with multiple holes **MUST** face outwards and top of shed.

HINT:

Push the corner panels out slightly, to allow each end of the brackets to be inserted.

Secure using one screw at each end of the top rail (inside) and secure top of both corner panels to low profile top rail using two screws per panel, as shown in Diagram 5.

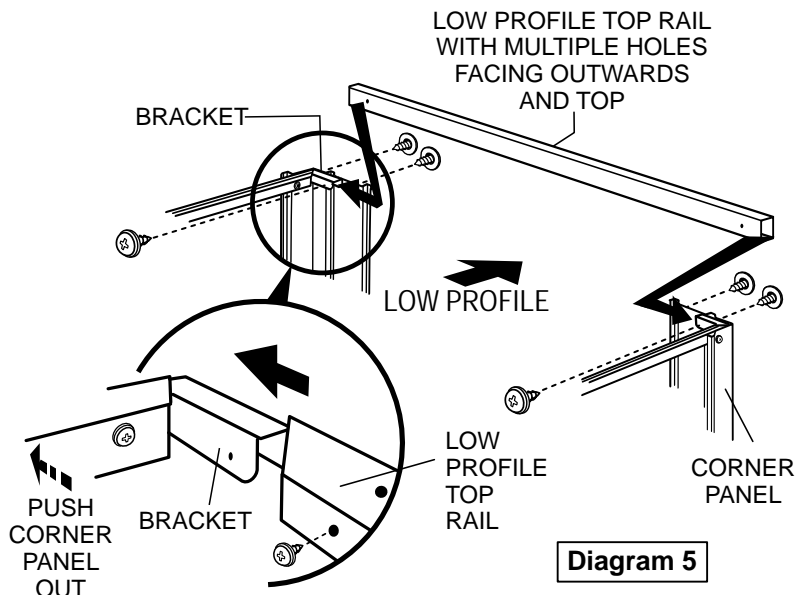


Diagram 5

Step 6

Attach and secure the high profile top rail to the front and back short top-wall rail brackets at the high profile side, as shown in Diagram 6.

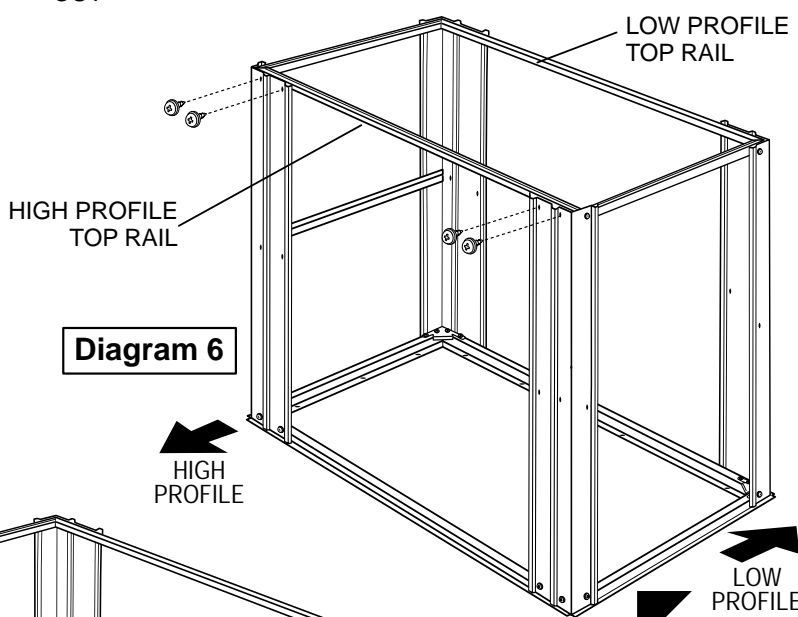


Diagram 6

Step 7

Attach one of the long mid-wall braces to the inside of the corner panels at the LOW PROFILE side, at the centre hole position, using two screws at each end as shown in Diagram 7.

IMPORTANT:

Holes at each end on the thin face of the long mid-wall brace **MUST** face upward, and holes along the long wide face **MUST** face outwards.

Repeat the procedure to fit the remaining long mid-wall brace to the corner panels at the high profile side. See Diagram 7.

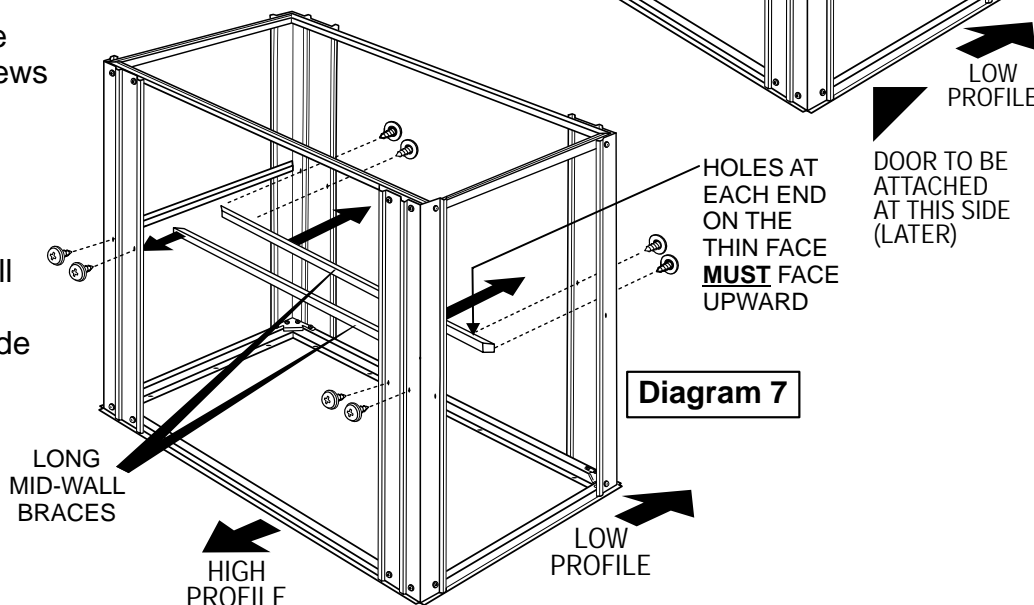


Diagram 7

Step 8

Secure the long and short mid-wall braces together using a corner brace and four screws as shown in Diagram 8.

Following the same procedure, secure the mid-wall braces at the high profile side.

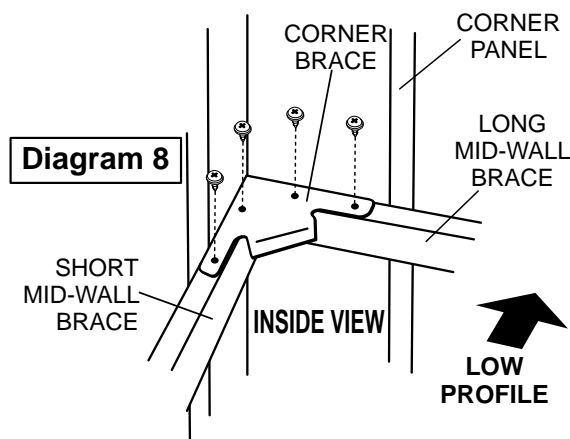


Diagram 8

Step 9

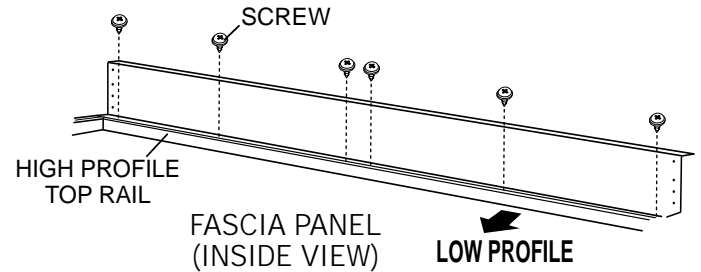
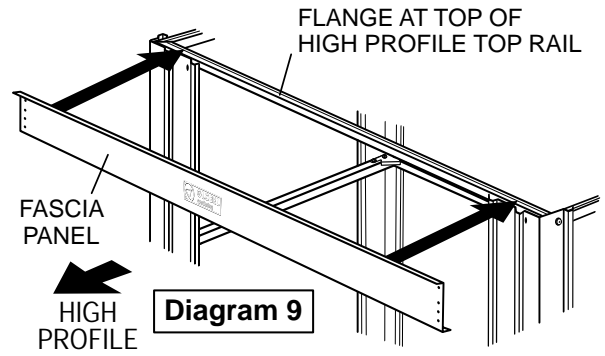
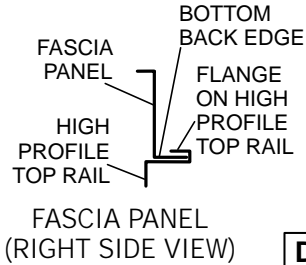
ATTACHING THE FASCIA PANEL

IMPORTANT: If you are constructing an 8' deep shed go directly to Step 9A now.

6' deep sheds

Fit the fascia panel to the **HIGH PROFILE** top rail by sliding the bottom back edge of the fascia panel into the flange at the top of the high profile top rail. See Diagram 9.

Secure using six screws. See Diagram 9A.



Step 9A

8' deep shed

IMPORTANT:

Ensure LEFT fascia panel is positioned at LEFT side (when viewing from HIGH PROFILE side of shed) and RIGHT fascia panel is positioned at RIGHT side. The left and right panels can be identified by having no hole at the outside edge of the bottom flange. See Diagram 10.

Fit the left and right fascia panels to the **HIGH PROFILE** top rail by sliding the bottom back edge of one panel into the flange at the top of the high profile top rail and aligning it to the left side of the high profile top rail. See Diagram 10. Then repeat for the other panel, overlapping the holes at the centre. See Diagram 10.

Secure using eight screws into the high profile top rail and four nuts and bolts in the centre overlapping holes of the fascia panels. See Diagram 10.

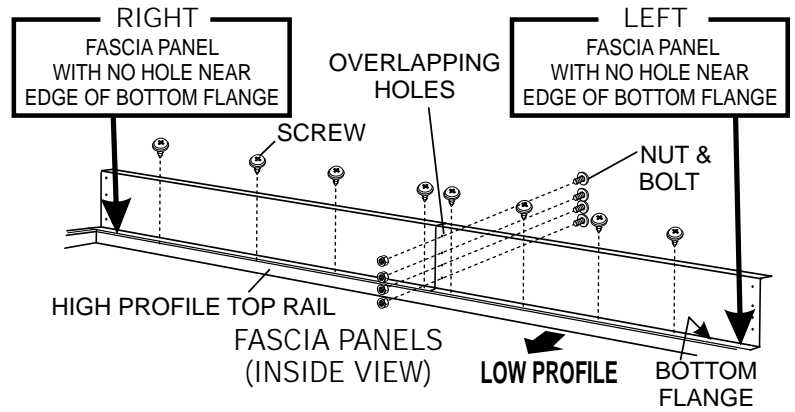
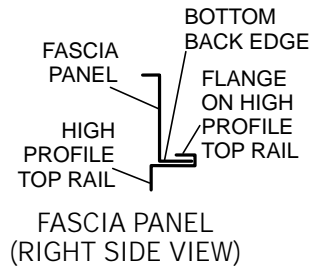


Diagram 10



Step 10

ATTACHING THE TWO GABLES

Fit the front and back gables to the short top-wall rails by sliding the inside bottom edge of the gable into the flange at the top of the short top-wall rails and secure using screws. See Diagram 11.

Secure to the fascia panel using four nuts and bolts as shown.

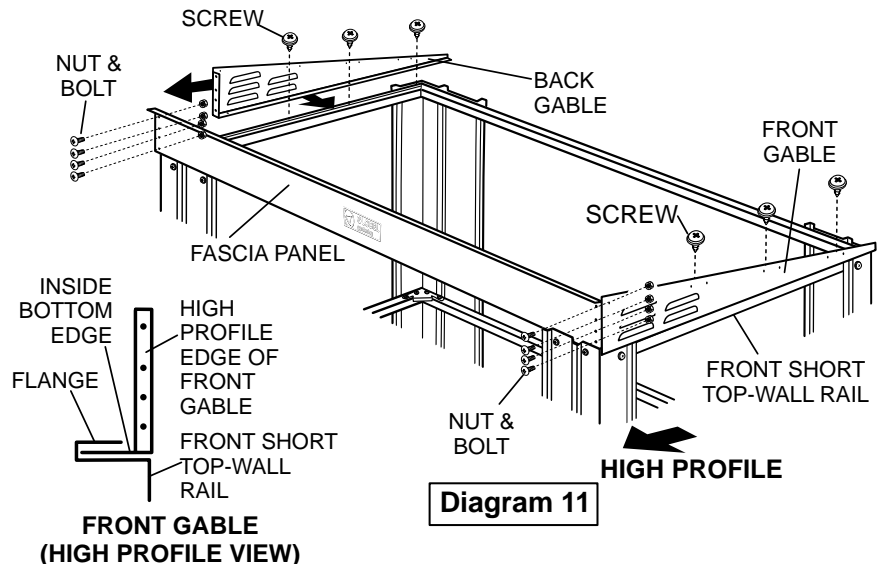
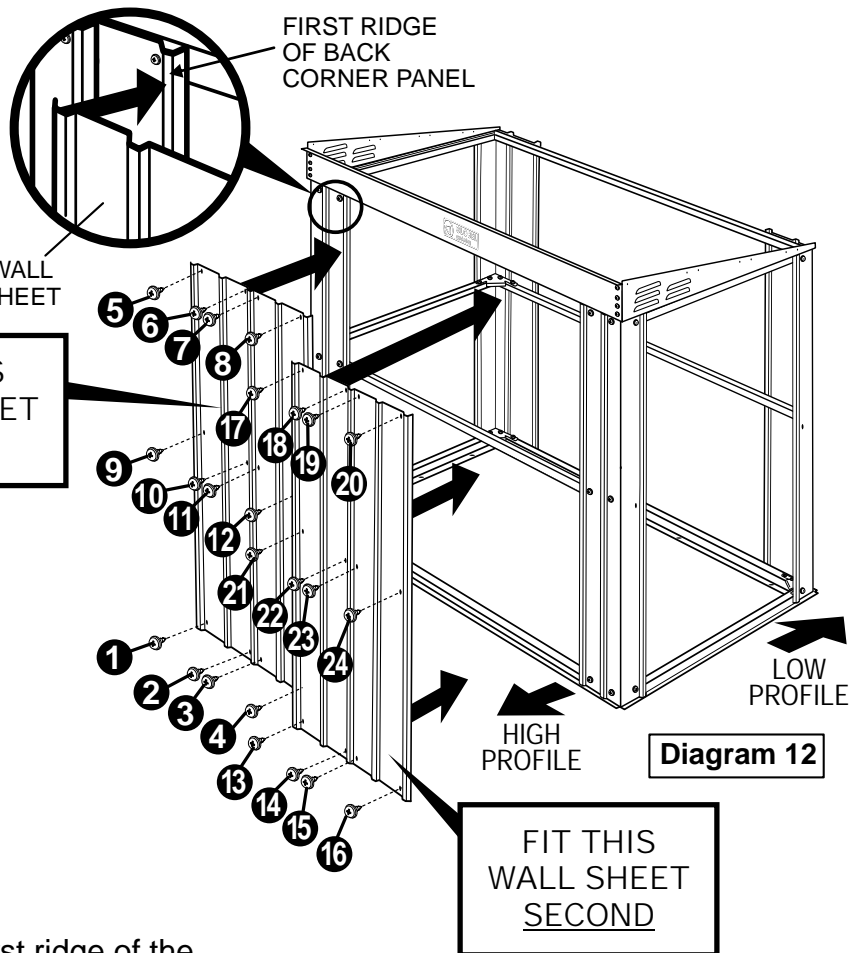


Diagram 11

Step 11 FITTING WALL SHEETS

IMPORTANT:
Fit screws in this order for all wall sheets:
 Bottom row, Top row, Middle row, working left to right.

FIT THIS WALL SHEET FIRST



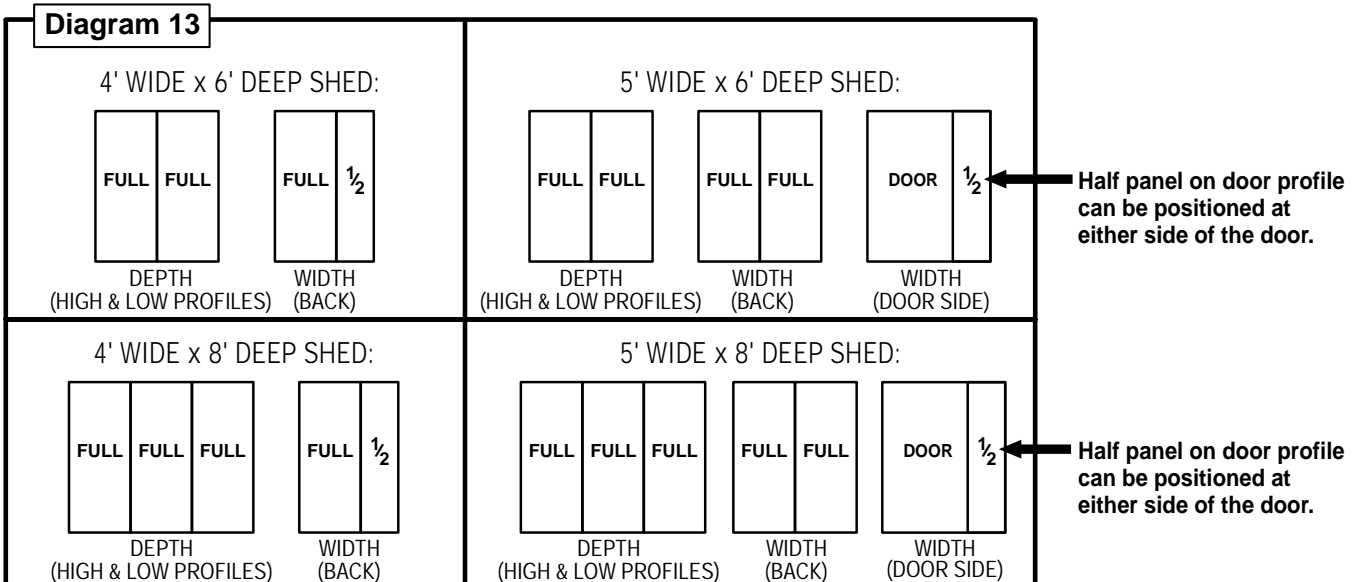
IMPORTANT:
 Study Diagram 13 (below) to identify the wall sheet configuration specific to your shed.

Starting at the LEFT SIDE of the HIGH PROFILE side of the shed:

Refer to Diagram 12.
 Fit one full wall sheet, overlapping the first ridge of the BACK corner panel and secure to the bottom, top and middle rails/brace, using screws, and following the numerical order shown in the diagram.

Repeat the procedure to fit the consecutive full wall sheet(s) to the high profile side.

EXAMPLES OF WALL SHEET CONFIGURATIONS FOR FOUR SHED SIZES - LOW & HIGH PROFILE SIDES (Depth) & SIDES (Width)



Step 12

WALL SHEETS - BACK

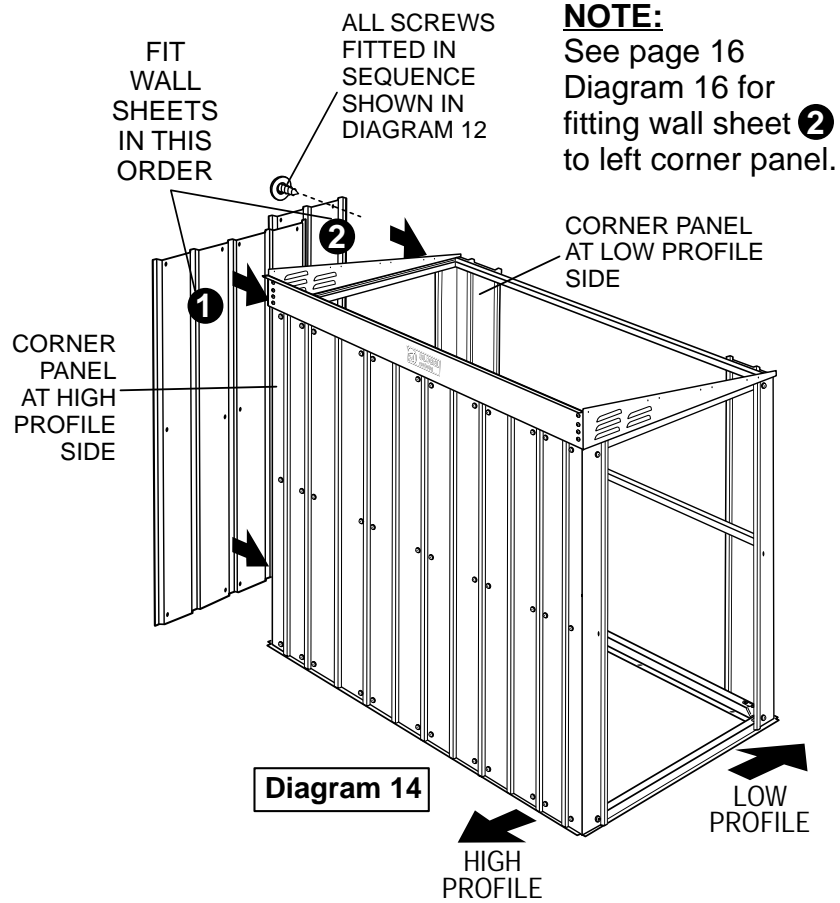
IMPORTANT:

BEFORE ATTACHING BACK WALL SHEETS:

READ "FITTING WALL SHEETS TO CORNER PANELS" (ON THE NEXT PAGE) and FOLLOW DIAGRAM 16 for fitting the last wall sheet at the back to the CORNER PANEL at the **LOW PROFILE** side.

Attach the wall sheets to the back of the shed, starting at the corner panel at the **HIGH PROFILE** side and overlapping each sheet.

Secure them with screws to the bottom, top and middle rails/brace, in the same sequence as shown in Diagram 12.



NOTE:
See page 16 Diagram 16 for fitting wall sheet ② to left corner panel.

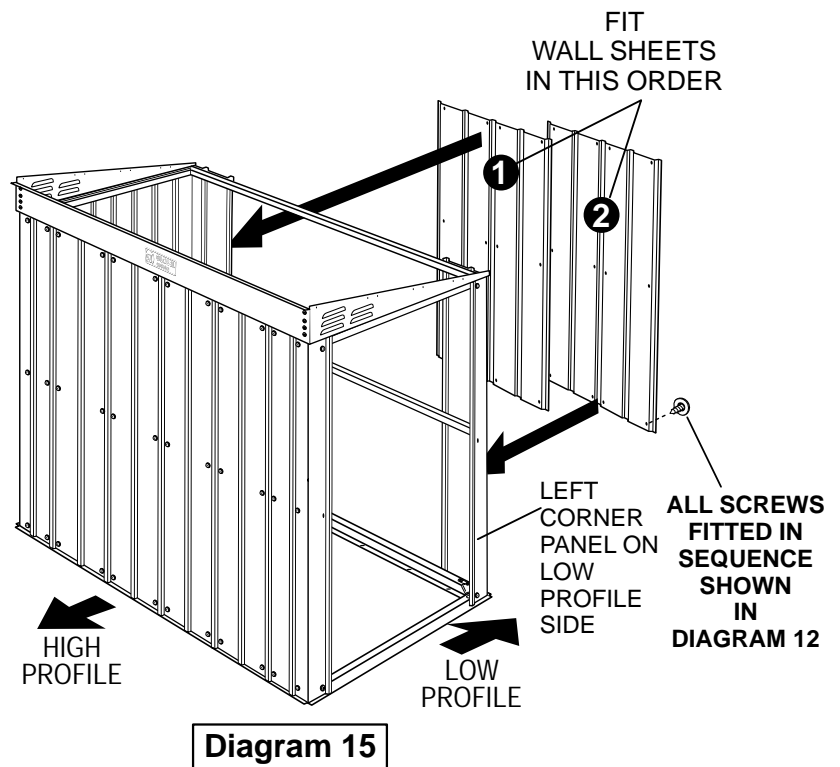
Step 13

WALL SHEETS - LOW PROFILE SIDE

Attach full wall sheets to the low profile side of the shed, starting at the **RIGHT** corner as shown in Diagram 15, and overlapping each sheet.

Secure them with screws to the bottom, top and middle rails/brace, in the same sequence as shown in Diagram 12.

NOTE: See page 16 Diagram 16 for fitting wall sheet ② to left corner panel.



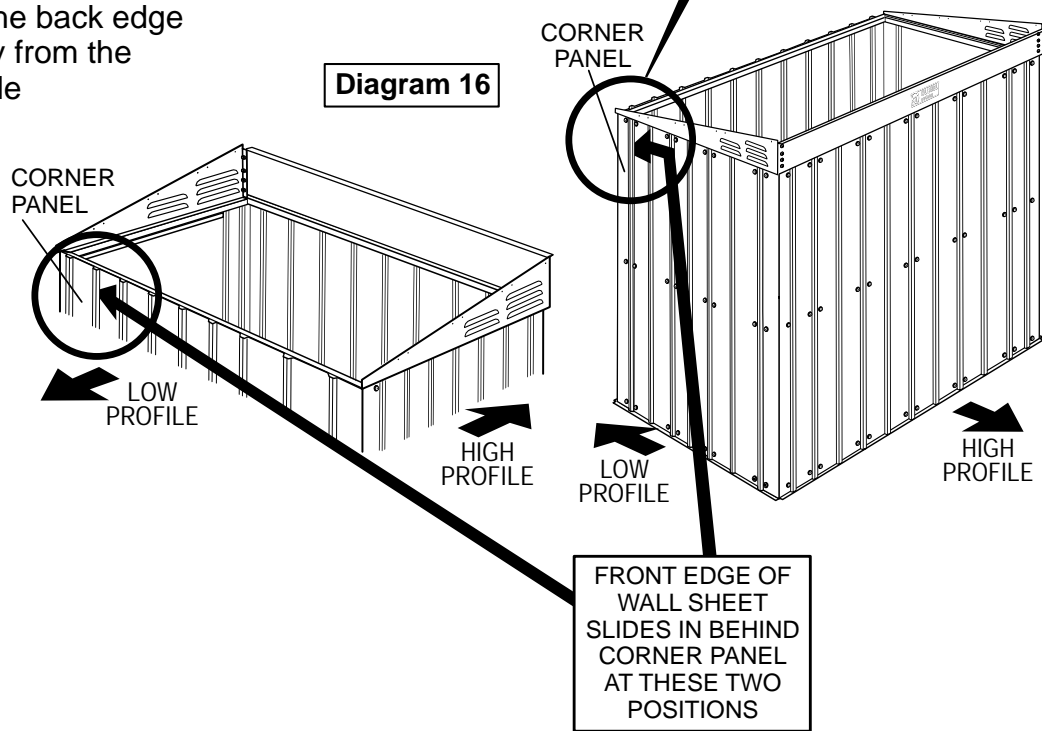
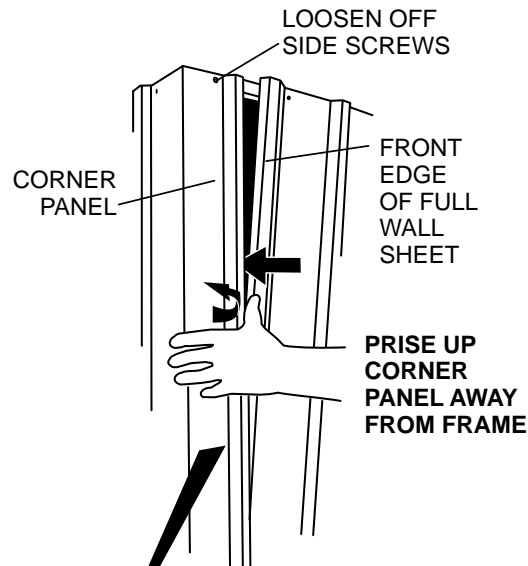
FITTING WALL SHEETS TO CORNER PANELS.

For aesthetics we recommend the wall sheets underlap the corner panels at the LOW PROFILE SIDE OF THE BACK and at the LEFT of the LOW PROFILE SIDE. This 'underlapping' creates the appearance of the shed wall being one continuous sheet. Follow the instructions below:

Loosen off (but do not remove) the three screws along the side edge of the corner panels where wall sheets are to be underlapped.

Then, by slightly prising the back edge of the corner panels away from the frame with your hand, slide the front edge of the wall sheets in behind. See Diagram 16.

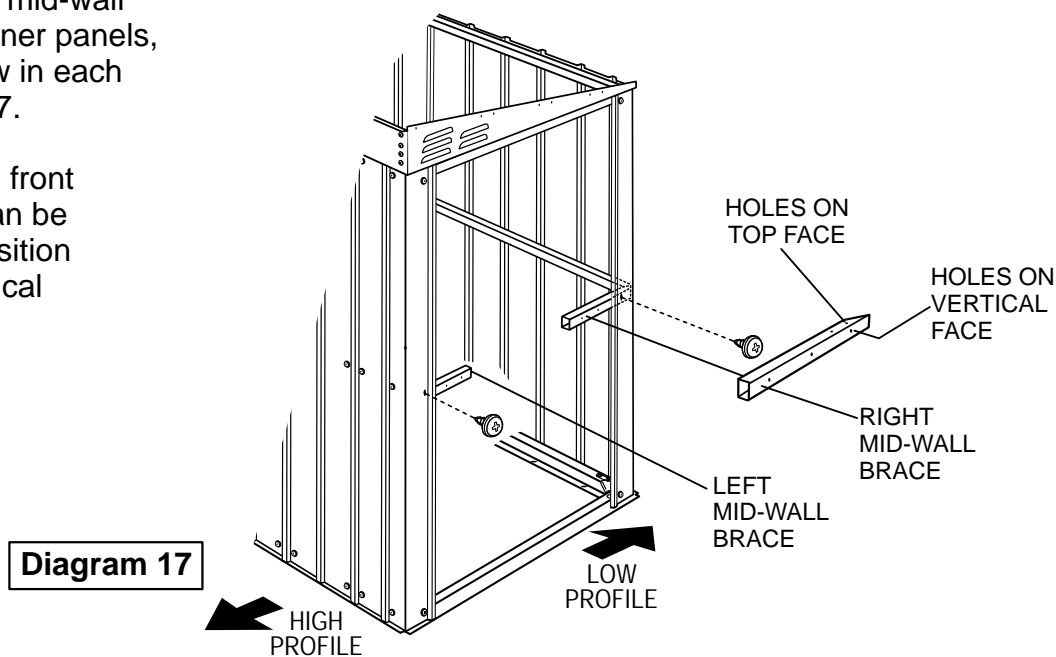
Re-tighten the three screws in the corner panels and secure the wall sheets, using screws, in the numerical order shown in Diagram 12.



Step 14

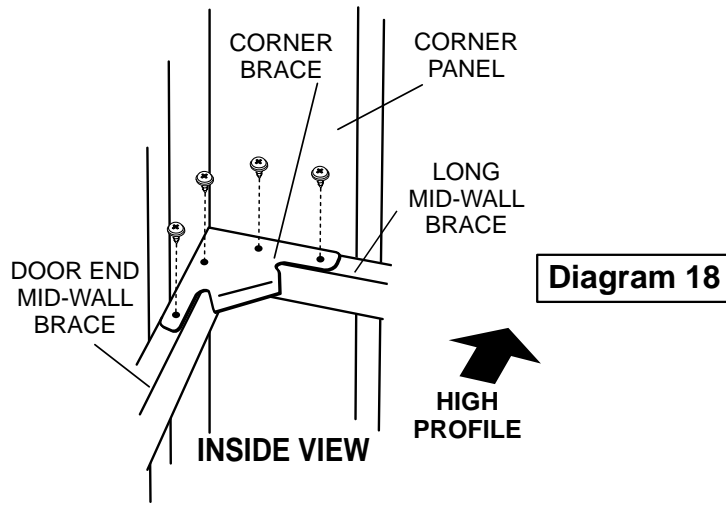
Attach the left and right mid-wall braces to the inside corner panels, securing with one screw in each as shown in Diagram 17.

HINT: The front left and front right mid-wall braces can be distinguished by the position of the holes on the vertical and top faces. See Diagram 17.



Step 15

Secure the two door end mid-wall braces to the two long mid-wall braces using two corner braces and eight screws as shown in Diagram 18.



Step 16

FITTING HINGED DOOR/DOOR JAMB

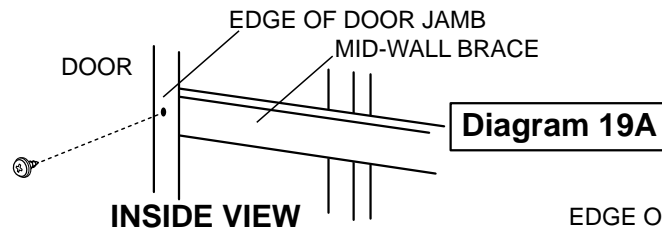
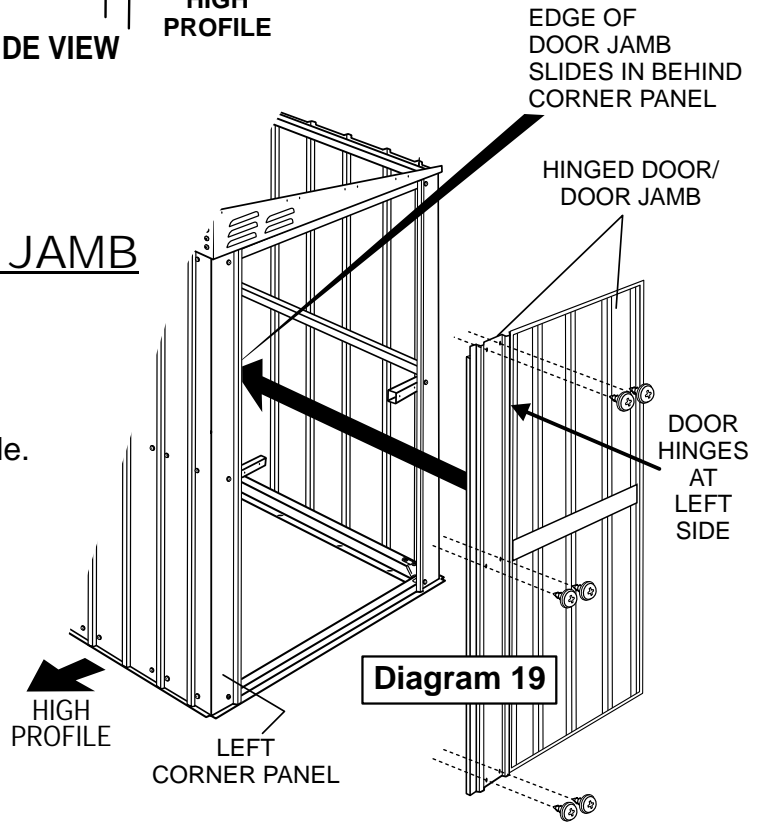
IMPORTANT:

Door can be left or right opening. This can be achieved by fitting the door jamb (supplied attached to the door) to either the left or right side. For the purpose of this assembly we are demonstrating a left opening door with the door jamb attached to the high profile side.

NOTE: Rotate the door 180° (top to bottom) if right door opening is required.

Attach the hinged door/door jamb to the left corner panel by prising up the edge of the corner panel and sliding the door jamb under, as shown in Diagram 16, Page 16. Secure the door jamb using six screws as shown in Diagram 19.

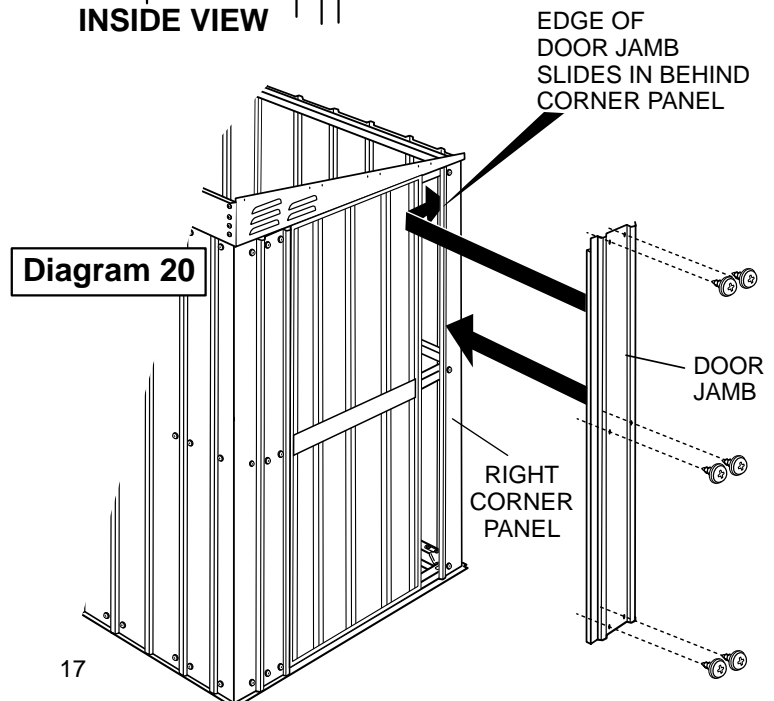
NOTE: Working from the INSIDE of the shed, secure the edge of the door jamb to the mid-wall brace using one screw. See Diagram 19A.



Step 17

FITTING DOOR JAMB

Attach the door jamb to the right corner panel by slightly prising up the edge of the corner panel and sliding the door jamb under, as shown in Diagram 16, Page 16. Secure the door jamb to the corner panel and mid-wall brace using six screws as shown in Diagram 20.



Step 18

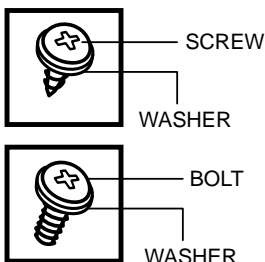
ROOF STARTERS & SHEETING

IMPORTANT:

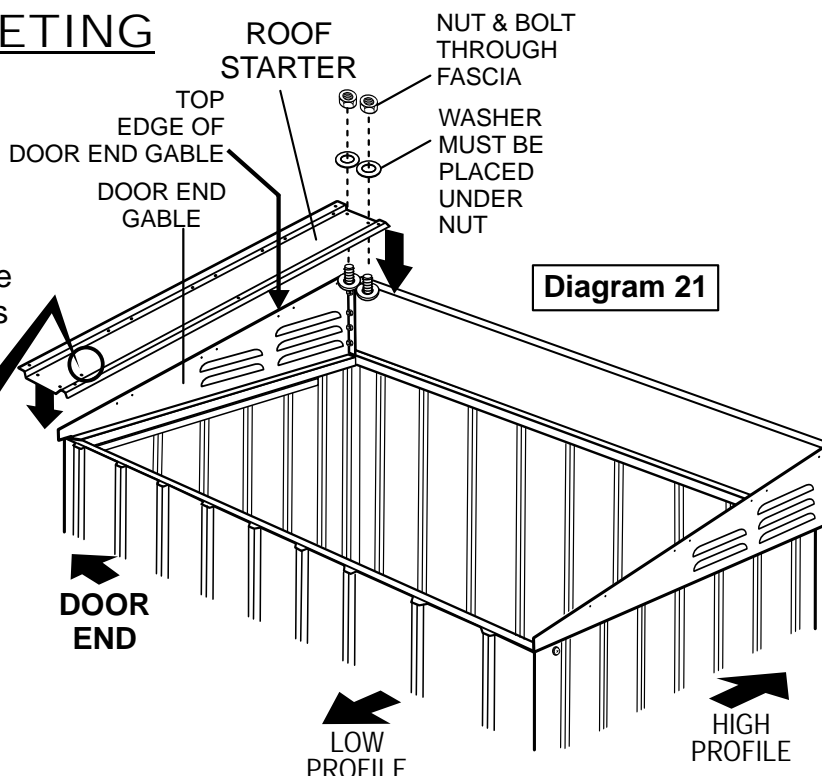
For the roof starters and sheeting, every screw and bolt must have a washer.

NOTE:

Nuts and bolts fitted upside down along the top edge of high profile side of roof starters and roof sheets to fascia must have the washers placed under the nut.



IMPORTANT:
THIS HOLE MUST BE POSITIONED AT THIS LOCATION



ROOF STARTERS

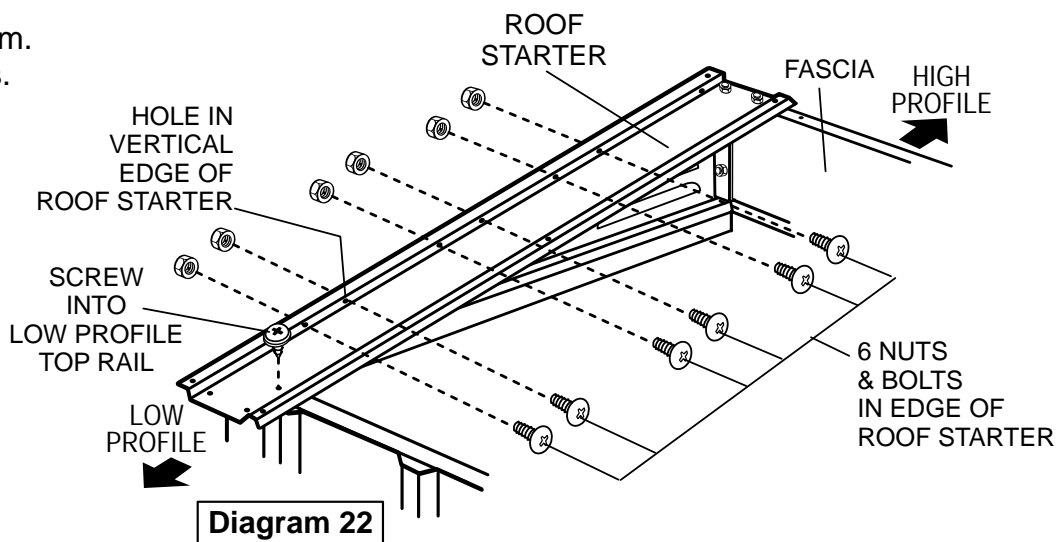
Fit the roof starter to the top edge of the DOOR END gable and secure to the top of the fascia using two nuts and bolts in the positions shown in Diagram 21.

IMPORTANT:

Insert bolts from the bottom. Place washers under nuts.

Step 19

Secure the roof starter to the door end gable assembly using six nuts and bolts with washers, in the holes along the vertical edge of the roof starter. See Diagram 22.

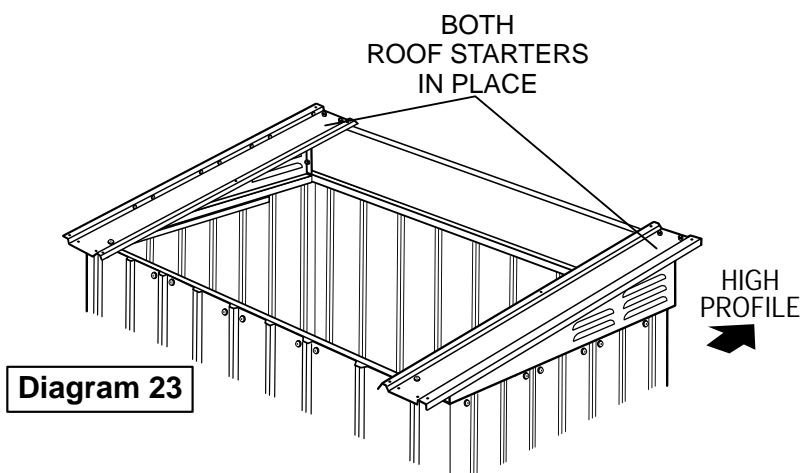


IMPORTANT:

NUTS AND BOLTS MUST BE INSERTED AS SHOWN

Then fit a screw in the hole near the bottom of the roof starter and into the top edge of the low profile top rail as shown in Diagram 22.

Repeat procedure for the opposite side roof starter. See Diagram 23.



Step 20

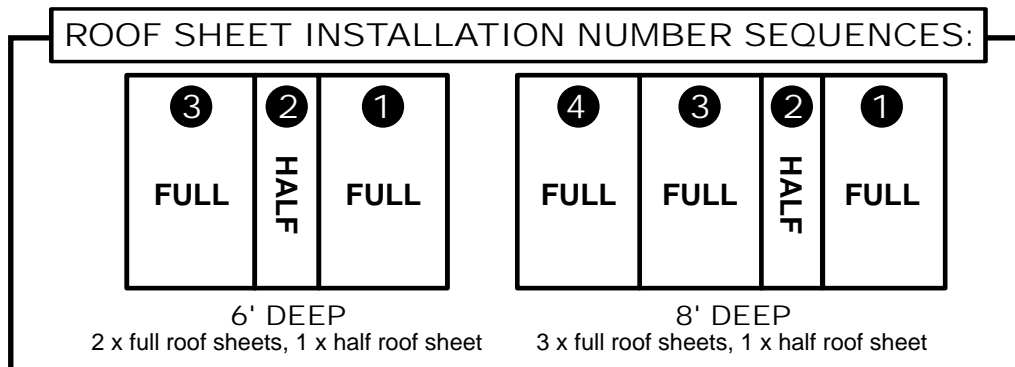
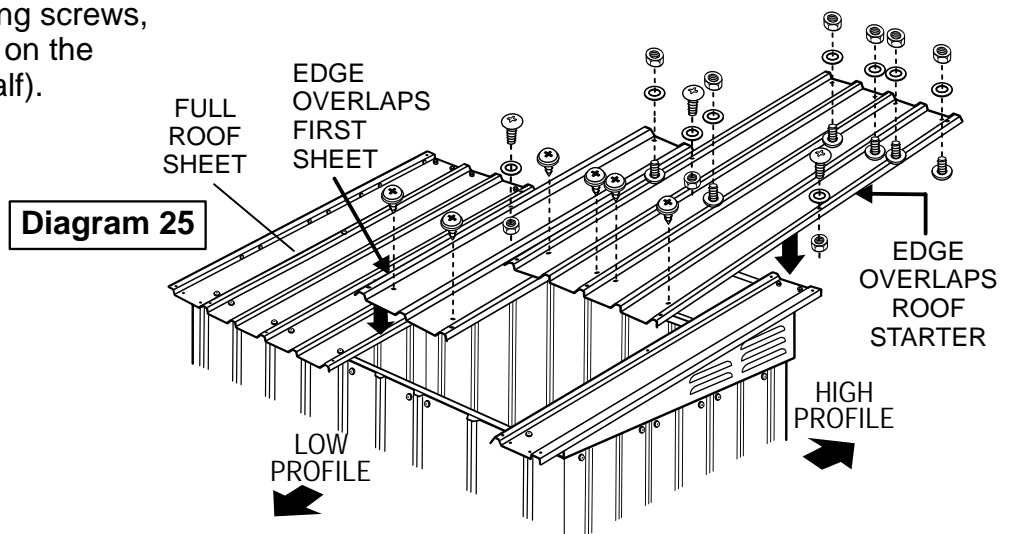
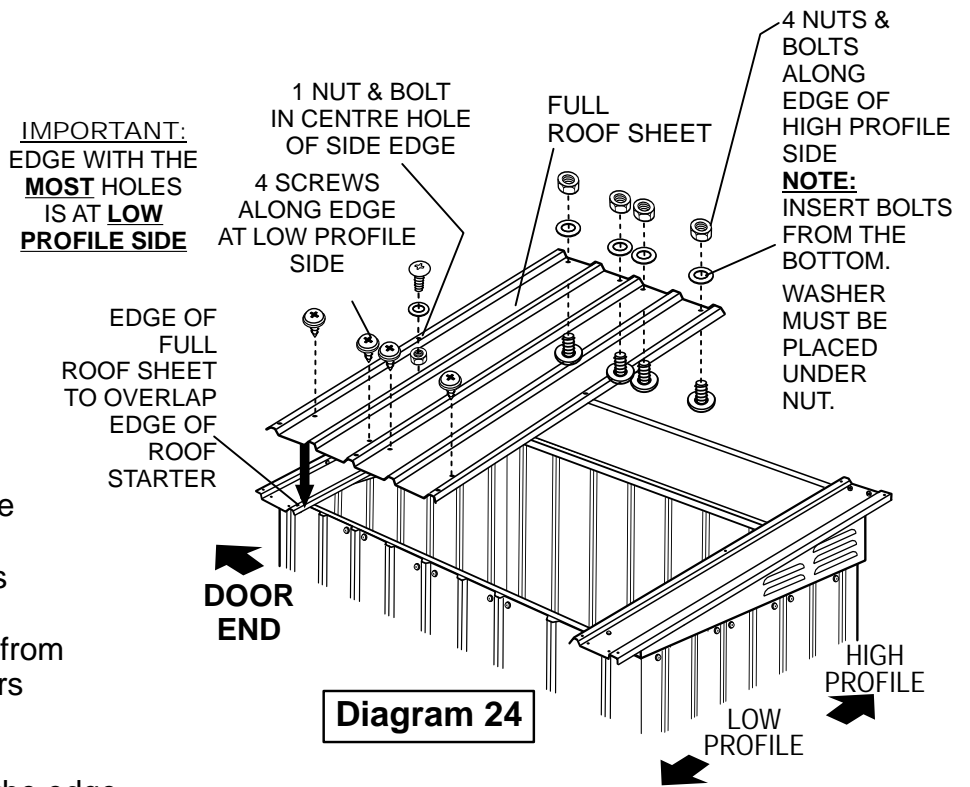
Refer to Diagram 24 and fit roof sheets in the sequence shown in the "Roof Sheet Installation Number Sequences" Diagram at the bottom of this page, ensuring they are the correct way up, and the side edges overlap the corresponding roof starters.

First, secure the front edge at the high profile side to the top of the fascia panel using nuts and bolts as shown in Diagram 24.

NOTE: insert the nuts and bolts from the bottom and place the washers under the nuts.

Then secure the side edge and the edge at the low profile side using screws, nuts and bolts as shown in Diagram 24.

Continue fitting sheets using screws, nuts and bolts, depending on the roof sheets used (full or half). See Diagram 25.



Step 21

FITTING HIGH PROFILE AND LOW PROFILE ROOF TRIMS

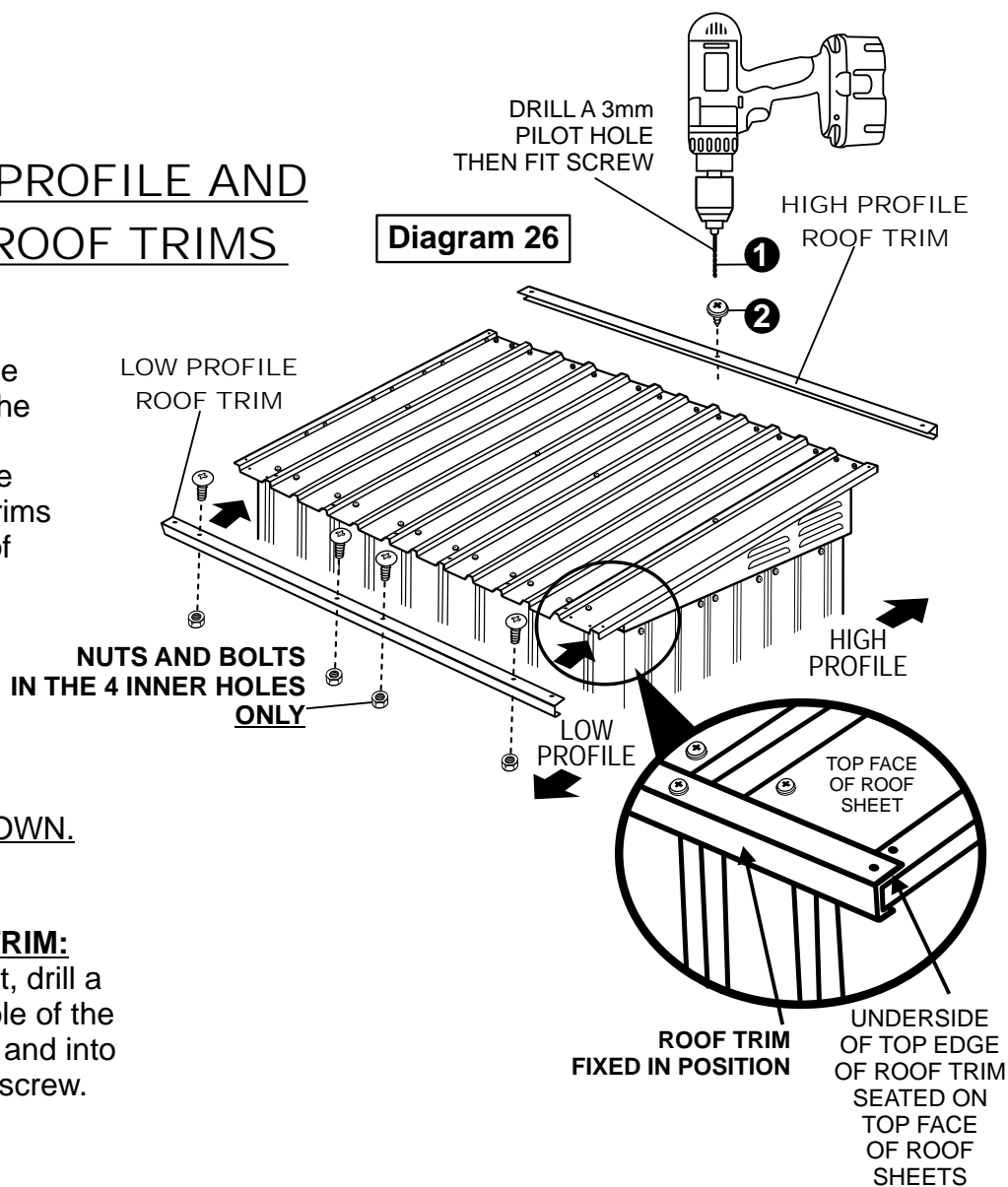
Attach the roof trims to the corresponding edges of the roof sheets as shown in Diagram 26, by sliding the bottom edge of the roof trims under the edge of the roof sheets so the underside of the top edge of the roof trims are seated on the top face of the roof sheets.

Secure using one screw, and nuts and bolts ONLY IN HOLES AS SHOWN.

IMPORTANT:

HIGH PROFILE ROOF TRIM:

Using a 3mm steel drill bit, drill a pilot hole at the centre hole of the HIGH PROFILE roof trim and into the roof sheet. Then fit a screw.

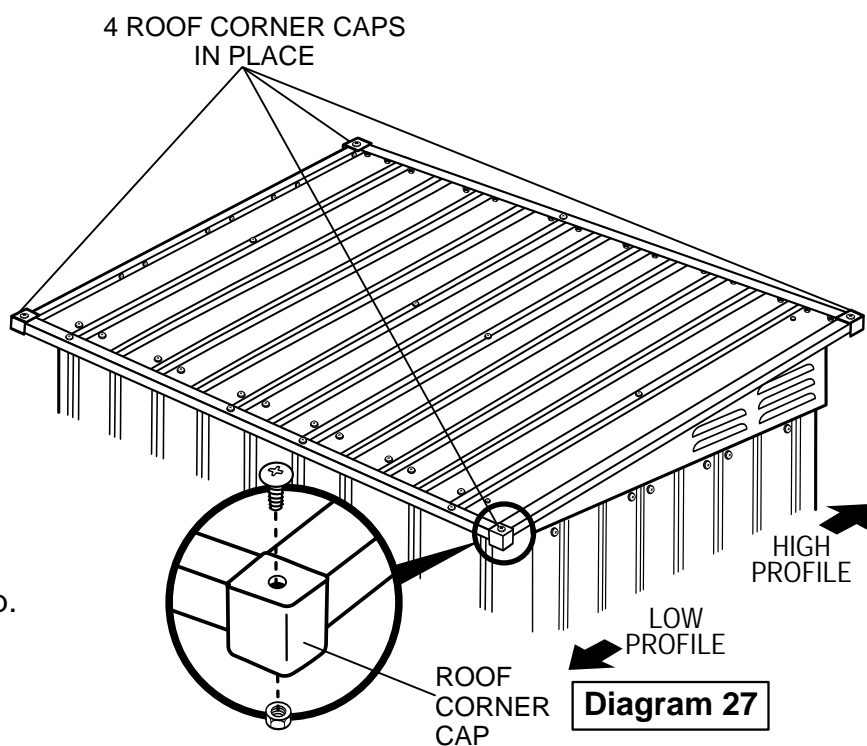


Step 22

Fit the four roof corner caps to the ends of both roof trims and secure with nuts and bolts as shown in Diagram 27.

NOTE:

Roof corner cap fits OVER roof trim. Washers are not required for this step.



Step 23 ATTACHING THE DOOR LOCK BOLT TO THE DOOR.

Refer to Diagram 28:

Position the door lock bolt on the flat panel of the door.

IMPORTANT:

Align the edge of the door lock bolt to the edge of the door and ensure door lock bolt is level.

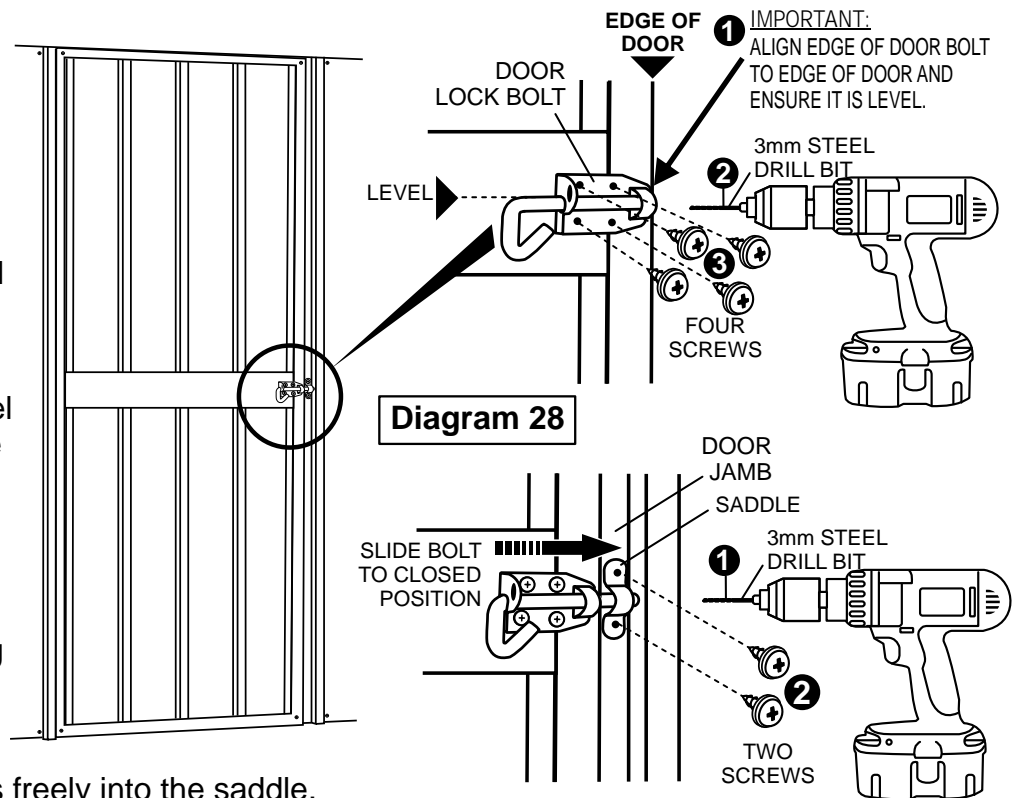
Using a 3mm steel drill bit, drill a pilot hole in the door flat panel for the four screws, through the holes in the door lock bolt and secure using four screws.

Fit the saddle to the door jamb by sliding the door lock bolt to its closed position and inserting it into the saddle.

IMPORTANT:

Ensure the door lock bolt slides freely into the saddle.

Drill two pilot holes in the door jamb, through the holes in the saddle and secure using two screws.



Additional Notes

SECURING & SEALING SHED BASE RAILS:

We recommend the following procedure for securing and sealing shed base rails to concrete floor:

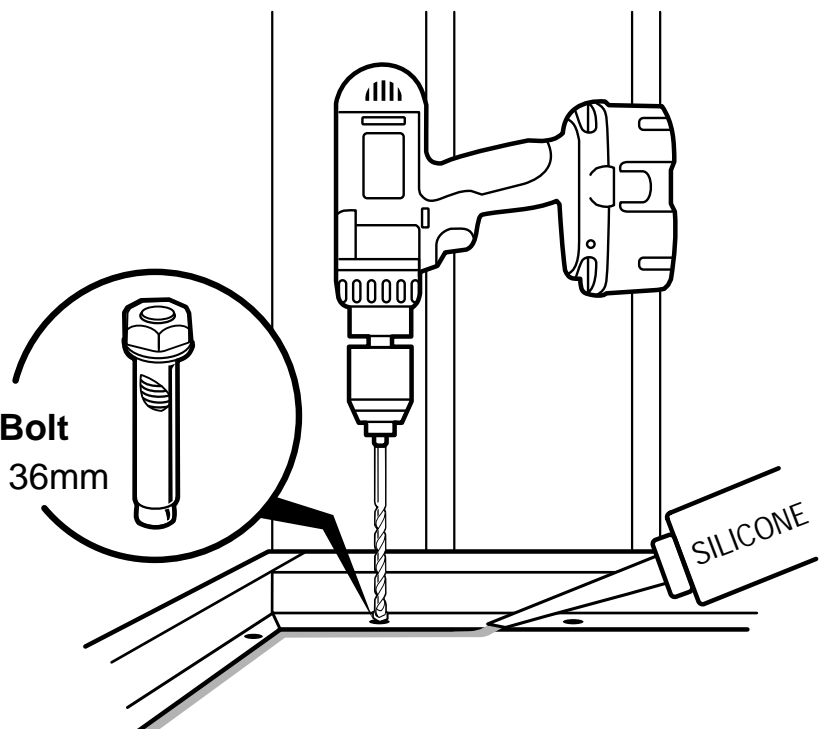
SECURE -

Secure shed base rails to concrete floor using dyna-bolts as shown in diagram.

SEAL -

Ensure floor is dry, is free of dust and debris, then apply silicone on inside of shed along the edge of the base rail and to the floor.

Dyna Bolt
6.5mm x 36mm



Warranty Clause

10 Year (Limited)

1. You must have a copy of your original purchase receipt if warranty is required.
2. Globel Garden Sheds are built for the purpose of domestic use only and must be installed according to the steps and procedures in the assembly instructions booklet herewith.
3. Installation of shed in ocean locations, heavy industrial or unusually corrosive environments voids the warranty.
4. Warranty does not apply if proven that a third party contaminate contributed to the fault.
5. Warranty is not transferable.
6. Fasteners, door glides and other plastic parts are not covered by the warranty.
7. Missing components must be claimed within 14 days of purchase.
8. For any warranty claim you must contact the original place of purchase.
9. Any expenses incurred by the claimant in conducting their claim will be at the expense of the claimant.
10. Any expenses and/or labour incurred costs by the claimant for the purpose of the replacement and/or fixing any parts to the shed will be at the claimants expense.

Purchase details:

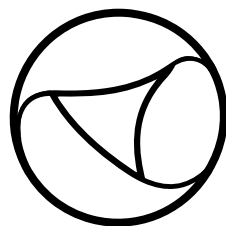
Date of Purchase

Model / Product Code

Place of Purchase

Receipt Number

FOR YOUR RECORDS
PLEASE STAPLE ORIGINAL
PURCHASE RECEIPT HERE



GLOBEL[®]

www.globelindustries.com