



Ensemble™

60" x 32" Shower Receptor
72181110



Features

- Perfect size for replacing an existing bath. Easy to install. Drain is located in the same position as existing bath
- Durable high-gloss finish
- 60" x 32" x 3.5" unit finished dimensions



Codes/Standards

CSA B45.5/IAPMO Z124



STERLING® Warranty - Fixtures Made of Solid Vikrell Material

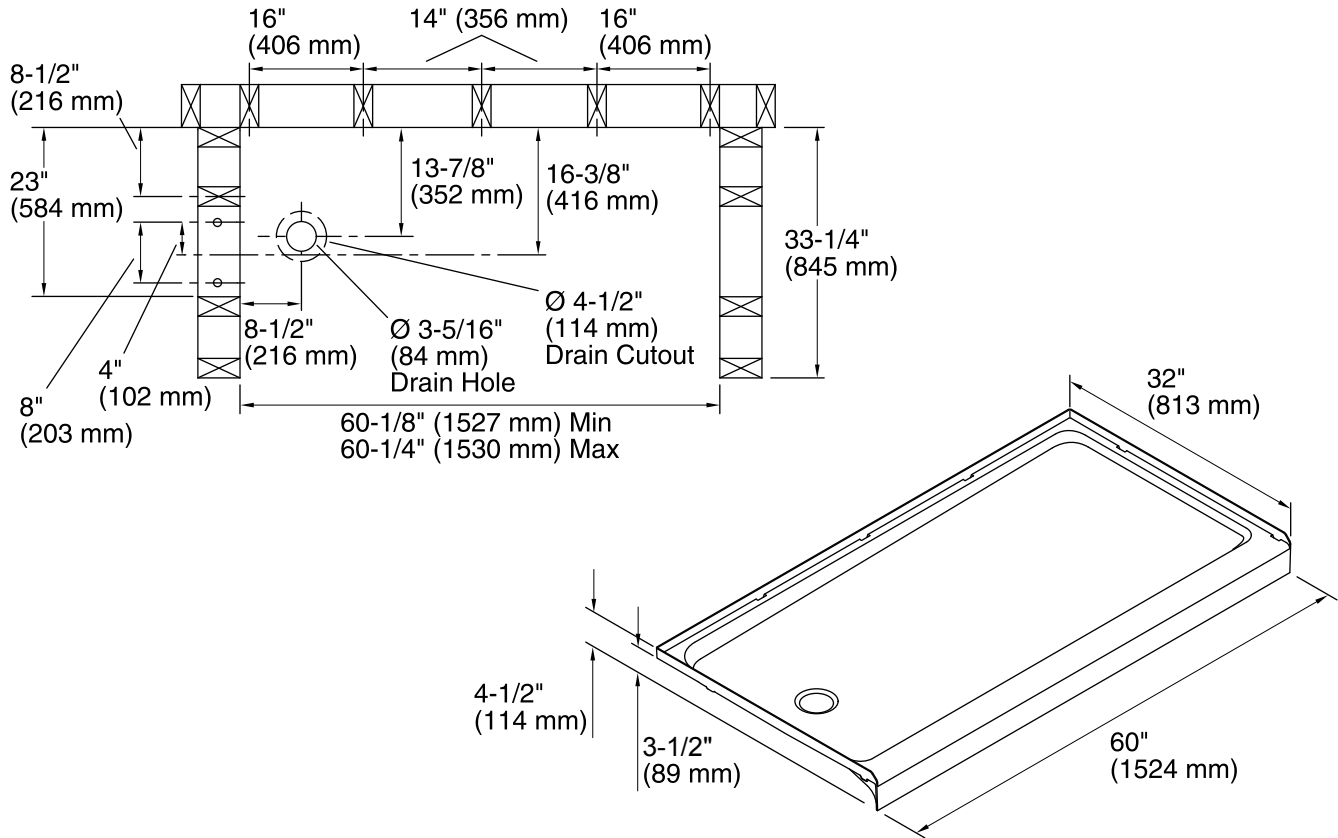
See website for detailed warranty information.

Available Color/Finishes

Color tiles intended for reference only.

Color	Code	Description
-------	------	-------------

- | | | |
|--|----|---------|
|  | 0 | White |
|  | 96 | Biscuit |



Technical Information

All product dimensions are nominal.

Installation: 3-Wall Alcove
 Drain location: Left
 Weight: 35.6 lbs (16.1 kg)

Notes

Install this product according to the installation guide.
 Double studding is recommended for pivot shower door installations.
 Studs should be positioned roughly as shown.