

Parts Catalog



WORLDLAWN®

WORLDLAWN®

WY28S WY32S

Commercial Mower



Worldlawn Power Equipment, Inc.

2415 Ashland Avenue, Beatrice, NE 68310

Toll Free Number: 1-800-267-4255

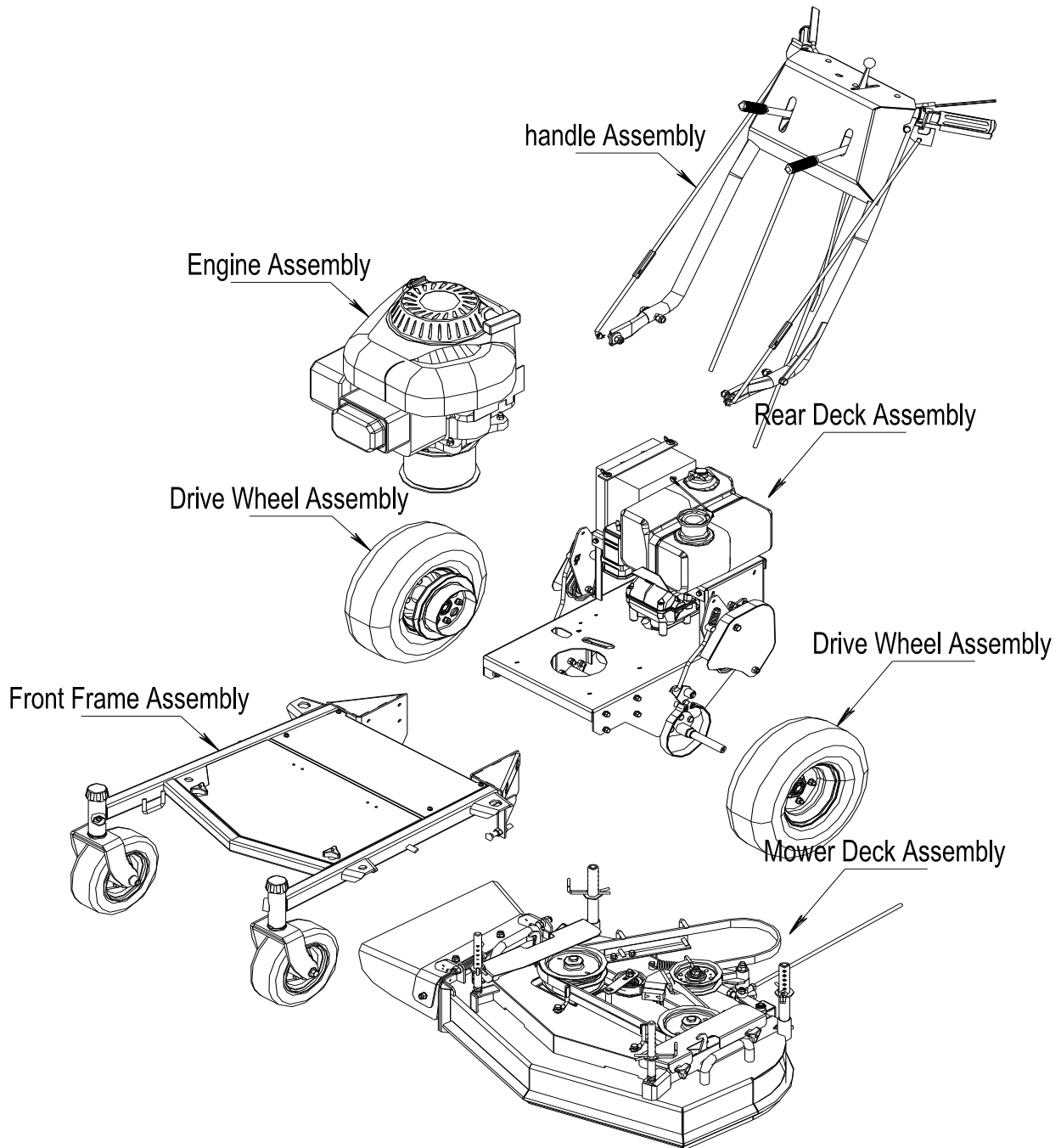
Content

Mower Assembly.....	1
Mower Deck Assembly.....	2
Rear Deck Assembly.....	4
Engine Assembly	6
Front Frame Assembly	7
Drive Wheel Assembly.....	9
Handle Assembly	10
Electric Start-Up Wiring Harness	11
Recoil Start-up Wiring Harness.....	12
Decals	13

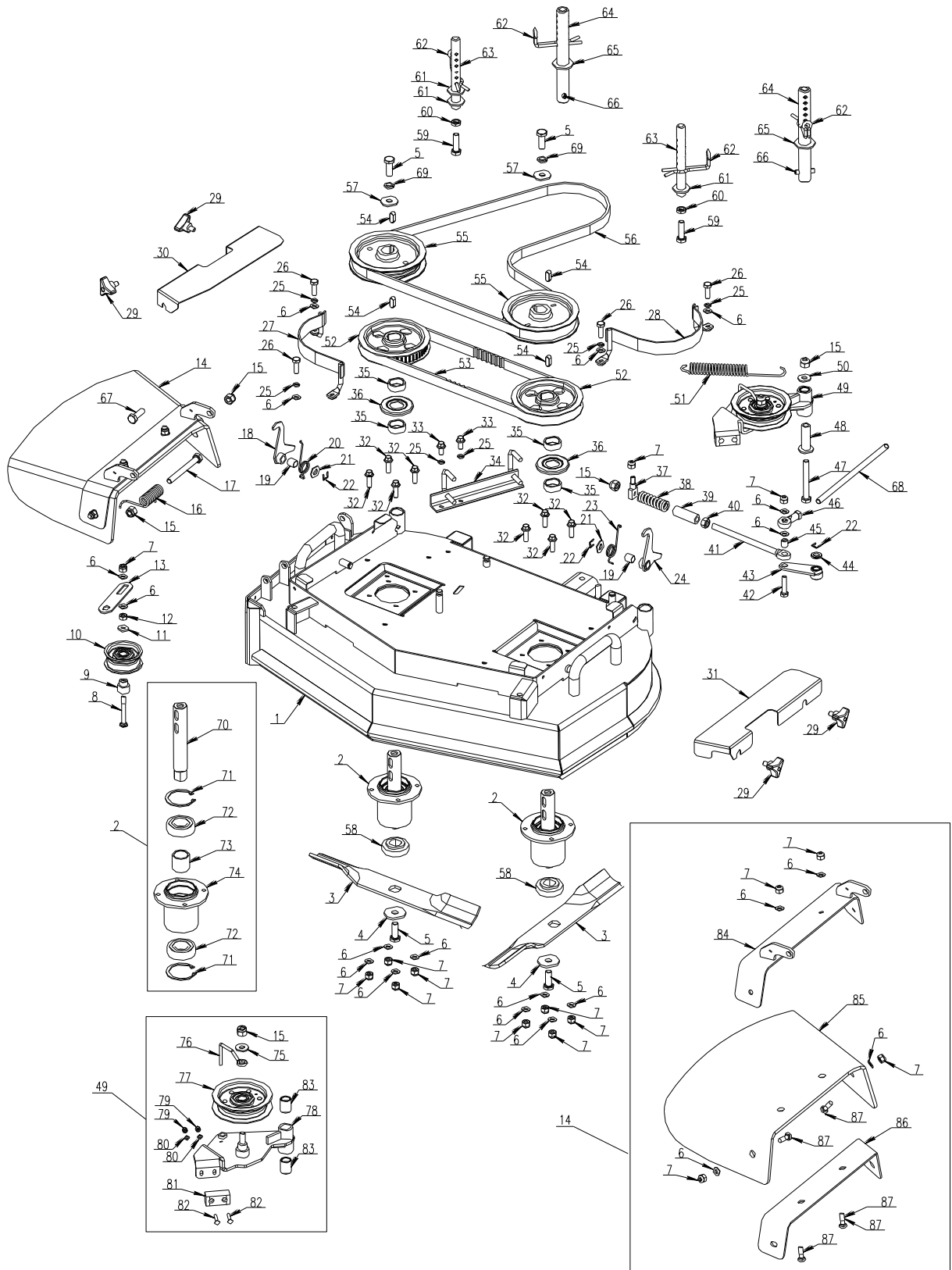


WORLDLAWN®

Mower Assembly



Mower Deck Assembly





WORLDLAWN®

Mower Deck Assembly

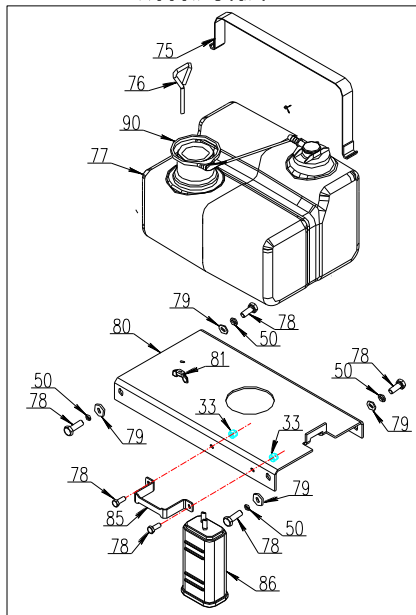
Ref	Parts NO	Description	QTY	28S	32S	Ref	Parts NO	Description	QTY	28S	32S
1	2832150	Deck Weldment	1	×		43	3202260	IDLER ARM	1	×	×
	3210150	Deck Weldment	1		×	44	2802086	Washer	1	×	×
2	2832090	Blade Spindle Assembly	2	×	×	45	3202023	Spacer	1	×	×
3	2802016	Blade	2	×		46	SIBJK8T	Rod End Bearing SIBJK8C	1	×	×
	3202004	Blade	2		×	47	B5783-1080	Bolt M10×80	1	×	×
4	3302008	Disc Spring Washer	2	×	×	48	3202013	Flange Bushing	1	×	×
5	3307005	Bolt 7/16-20UNF×1-1/4	4	×	×	49	2832130	Idler Pulley ASM	1	×	
6	B97.1-8	Washer 8	20	×	×		3210076	Idler Pulley ASM	1		×
7	B6182-8	Nut M8	15	×	×	50	3302058	Washer 10	1	×	×
8	B801-860	Bolt M8×60	1	×	×	51	2832187	Brake Spring	1	×	×
9	2802143	Bushing	1	×	×	52	2832082	Synchronous Pulley	2	×	×
10	2802130B	Idler Pulley Assembly	1	×	×	53	2802010	Synchronous Belt	1	×	
11	2800006	Washer	1	×	×		3202008	Synchronous Belt	1		×
12	B6170-8	Nut M8	1	×	×	54	B1096-822	Key 8×22	4	×	×
13	2802001	Linking Plate	1	×	×	55	2832080	Blade Drive Pulley	2	×	
14	3202120	Discharge Chute Assembly	1	×	×		3210201	Blade Drive Pulley	2		×
15	B6182-10	Nut M10	5	×	×	56	2832085	Blade Drive Belt	1	×	×
16	3202001	Spring	1	×	×	57	3307004	Washer	2	×	×
17	B5782-1090	Bolt M10×90	1	×	×	58	2832182	BLADE SPACER	2	×	×
18	2832185	Right Deck Hook Weldment	1	×		59	B5783-1035	Bolt M10×35	2	×	×
19	3202024	Bushing	2	×	×	60	B6172-10	Nut M10	2	×	×
20	3202018	Right Torsion Spring	1	×		61	3200008	Washer	3	×	×
21	B97.1-12	Washer 12	2	×	×	62	3202091	Height Adjustment Rod Front	2	×	×
22	B896-9	Snap Ring M9	3	×	×	63	4800007	Height Adjustment Pin	4	×	×
23	3202017	Left Torsion Spring	1	×		64	2832163	Height Adjustment Rod Rear	2	×	
	3202017	Left Torsion Spring	2		×		3210180	Height Adjustment Rod Rear	2		×
24	2832184	Left Deck Hook Weldment	1	×		65	3600005	Washer 2	2	×	×
	2832184	Left Deck Hook Weldment	2		×	66	B879.1-832	Spring pin 8X32	2	×	×
25	B93-8	Washer	6	×	×	67	B5783-1030	Bolt M10×30	1	×	×
26	B5783-820	Bolt M8X20	4	×	×	68	3333012	Blade Engage Control Rod	1	×	×
27	2832142	Belt Housing Weldment, Right	1	×		69	B93-12	Washer 12	2	×	×
	3210195	Belt Housing Weldment, Right	1		×	70	2832145	Blade Spindle	1	×	×
28	2832140	Belt Housing Weldment, Left	1	×		71	B893.2-52	Snap Ring M52	2	×	×
	3210190	Belt Housing Weldment, Left	1		×	72	B276-6205RS	Bearing 6205-2RS	2	×	×
29	3302190	Three-Arm Knob	4	×	×	73	2832146	Bushing	1	×	×
30	2832162	Right Belt Cover	1	×		74	2832147	Spindle Housing	1	×	×
	3210182	Right Belt Cover	1		×	75	3302058	Washer	1	×	×
31	2832161	Left Belt Cover	1	×		76	3202161	Belt Guide	1	×	×
	3210181	Left Belt Cover	1		×	77	2832083	Idler Pulley	1	×	×
32	B5787-825	Bolt M8×25	8	×	×	78	2832131	Idler Pulley Weldment	1	×	
33	B5787-816	Bolt M8×16	1	×	×		3210075	Idler Pulley Weldment	1		×
34	2832190	Belt Bracket Weldment	1	×	×	79	B6182-5	Nut M5	2	×	×
35	2802131	Bushing	4	×	×	80	B97.1-5	Washer 5	2	×	×
36	2802089	Dust Cover	2	×	×	81	2832135	Brake Pad	1	×	×
37	2802084B	Connecting Rod	1	×	×	82	B819-525	Screw M5*25	2	×	×
38	3602017A	Compression Spring	1	×	×	83	B2685-162025	Oilite Bronze Bearing 16X20X25	2	×	×
39	3202022	Bushing	1	×	×	84	3202123	Deflector Shield Weldment	1	×	×
40	B6170-10	Nut M10	1	×	×	85	3202121	Deflector Shield	1	×	×
41	3202012	Connecting Rod	1	×	×	86	3202122	Deflector Shield Support Bracket	1	×	×
42	B5783-845	Bolt M8*45	1	×	×	87	B801-825	Bolt M8*25	4	×	×



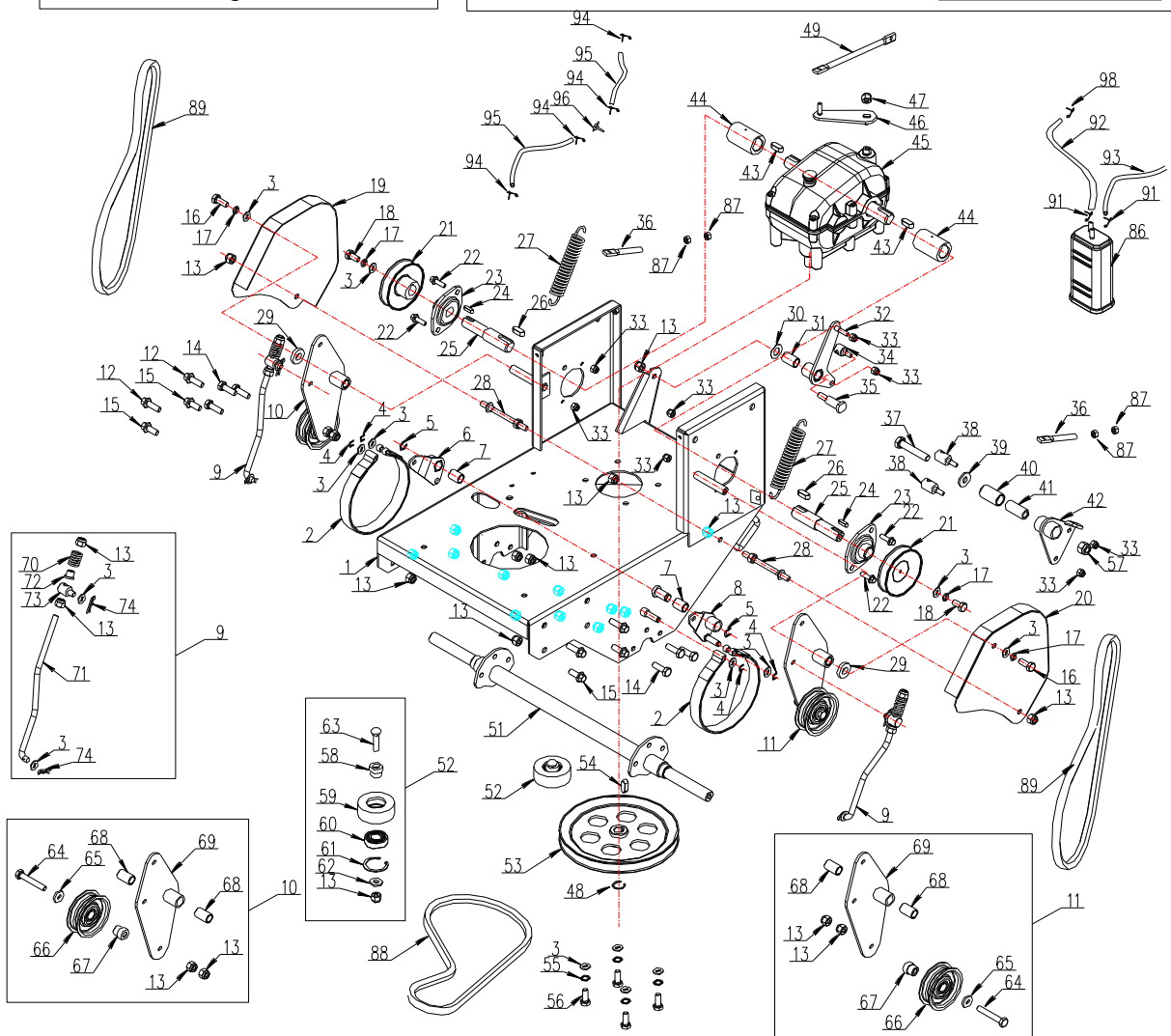
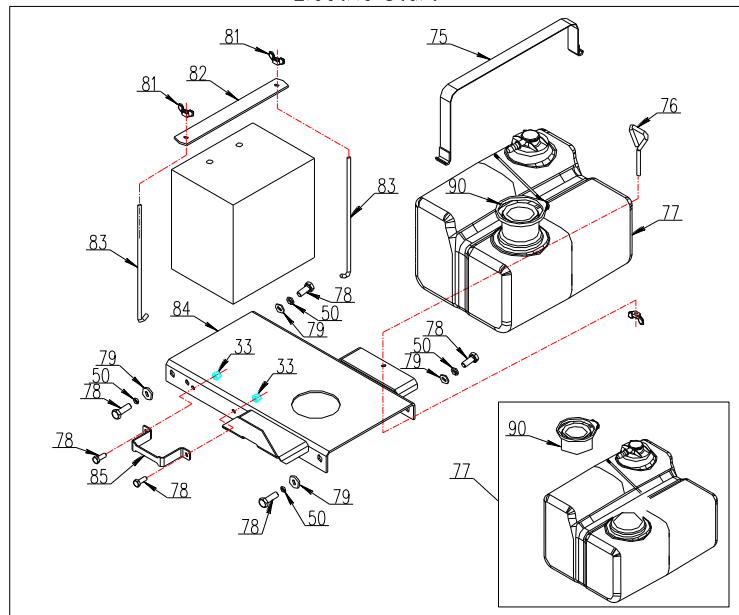
WORLDLAWN®

Rear Deck Assembly

Recoil Start



Electric Start



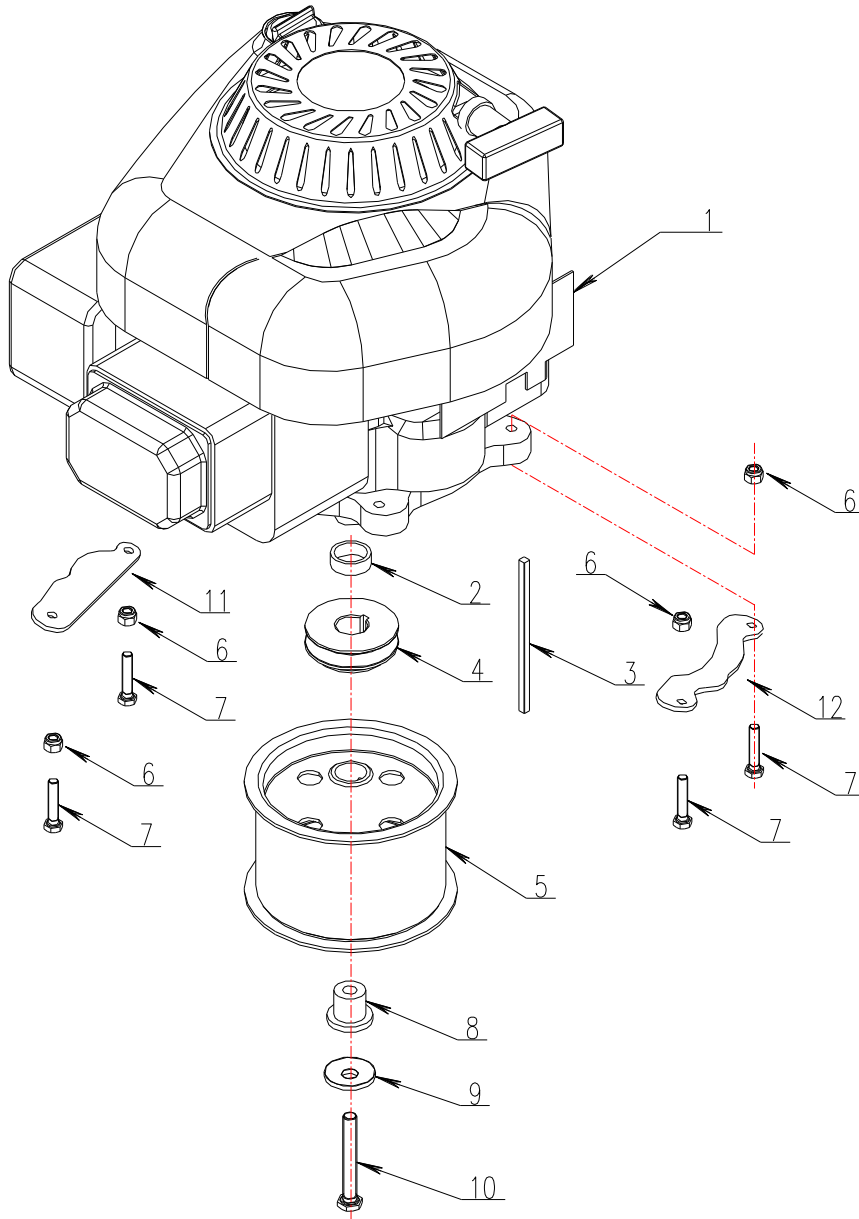


WORLDLAWN®

Rear Deck Assembly

Ref	Parts NO	Description	QTY	R	E	Ref	Parts NO	Description	QTY	R	E
1	2833035	Rear Deck	1	×	×	51	2833001	Axle Weldment	1	×	×
2	2833011	Brake Band	2	×	×	52	2833072	Idler Pulley ASM	1	×	×
3	B97.1-8	Washer 8	18	×	×	53	3304013	Transmission Input Pulley	1	×	×
4	B896-6	Snap Ring M6	4	×	×	54	B1096-514	key 5X14	1	×	×
5	B896-8	Snap Ring M8	2	×	×	55	B861.1-8	Washer 8	6	×	×
6	2803008	Brake Lever Weldment, Left	1	×	×	56	3300106	Bolt 5/16"-18UNC×3/4"	6	×	×
7	3303141	Nylon Bushing	2	×	×	57	B6182-10	Nut M10	1	×	×
8	2803012	Brake Lever Weldment, Right	1	×	×	58	3203007	Bushing	1	×	×
9	2833071	ASM,Brake Link	2	×	×	59	2803011	Idler Pulley	1	×	×
10	2833030	Idler Pulley Assembly	1	×	×	60	B276-6003RS	Bearing 6003-2RS	1	×	×
11	2833070	Idler Pulley Assembly	1	×	×	61	B893.1-35	Snap ring M35	1	×	×
12	B5787-825	Bolt M8X25	4	×	×	62	3303018	Washer 8	1	×	×
13	B6182-8	Nut M8	28	×	×	63	B12-835	Bolt M8×35	1	×	×
14	B5783-825	Bolt M8×25	6	×	×	64	B5783-850	Bolt M8*50	2	×	×
15	B5787-820	Bolt M8X20	4	×	×	65	2800006	Washer	2	×	×
16	B5783-820	Bolt M8×20	8	×	×	66	2800034	Idler Pulley Assembly	2	×	×
17	B93-8	Washer 8	4	×	×	67	2800035	Bushing	2	×	×
18	B5783-816	Bolt M8×16	2	×	×	68	3303023	Bushing	4	×	×
19	3203085	Right Belt Cover	1	×	×	69	2833031	Tensioner Arm Weldment	2	×	×
20	3203080	Left Belt Cover	1	×	×	70	2800017	Compression Spring	2	×	×
21	2833005	Drive Pulley Assembly	2	×	×	71	3203010	Brake Lever	2	×	×
22	B5787-620	Bolt M6×20	4	×	×	72	2806010	Flange Bushing	2	×	×
23	B7810-UBPFL203	Bearing UBPFL203	2	×	×	73	3203011	Swivel Joint	2	×	×
24	B1096-518	key 5X18	2	×	×	74	XSZ56-1-17	Hair Pin	4	×	×
25	2833020	Output Shaft	2	×	×	75	2833025	Fuel Tank Pressing Strap	1	×	×
26	B1099.1-419	Key 4X7.5X19	2	×	×	76	2833024	Rod weldment	1	×	×
27	2833074	Tension Spring	2	×	×	77	2837040	Fuel Tank ASM W/CAP	1	×	×
28	2833013	Connecting Screw	2	×	×	78	B5783-616	Bolt M6×16	6	×	×
29	2833034	Bushing	2	×	×	79	B97.1-6	Washer 6	4	×	×
30	2806061	Disc Spring Washer M12	1	×	×	80	2833022	TANK SADDLE	1	×	×
31	3303023	Bushing	1	×	×	81	B62-6	Nut M6	1	×	×
32	2803007	Shift Pivot Arm Weldment	1	×	×		B62-6	Nut M6	3	×	×
33	B6182-6	Nut M6	10	×	×	82	2833064	Battery Strap	1	×	×
34	3306015	Gear Shift Connector	1	×	×	83	2833065	Battery Rod	2	×	×
35	2806055	Axis Pin	1	×	×	84	2833060	TANK SADDLE	1	×	×
36	2833075	Adjusting Rod	2	×	×	85	3206112	Carbon Canister Bracket	1	×	×
37	B5782-1055	Bolt M10×55	1	×	×	86	3206114	Carbon Canister	1	×	×
38	2800019	Swivel Joint	2	×	×	87	B6170-8	Nut M8	4	×	×
39	3302058	Washer 10	1	×	×	88	3300003A	Belt	1	×	×
40	3303037	Bushing	1	×	×	89	3600003A	Belt	2	×	×
41	2803016	Bushing	1	×	×	90	2837041	Fuel tank cap	1	×	×
42	3203138	Driver Engage Lever Weldment	1	×	×	91	172421P68FS0000	Hose Clamp	2	×	×
43	B1096-420	Key 4X20	2	×	×	92	2807032	Pipe	1	×	×
44	2833021	Bushing	2	×	×	93	2837038	Fuel Line	1	×	×
45	2834000	Transmission Assembly	1	×	×	94	B8870-16	Hose Clamp 10-16	4	×	×
46	2833055	Shift Pivot Arm	1	×	×	95	2837039	Fuel Line	2	×	×
47	4802010	Nut 3/8-24UNF	2	×	×	96	2837043	SHUT-OFF Valve	1	×	×
48	B894.1-16	Snap Ring M16	1	×	×	98	3307041	Clamp	1	×	×
49	2833012	Rod	1	×	×						
50	B93-6	Washer 6	6	×	×						

Drive Wheel Assembly

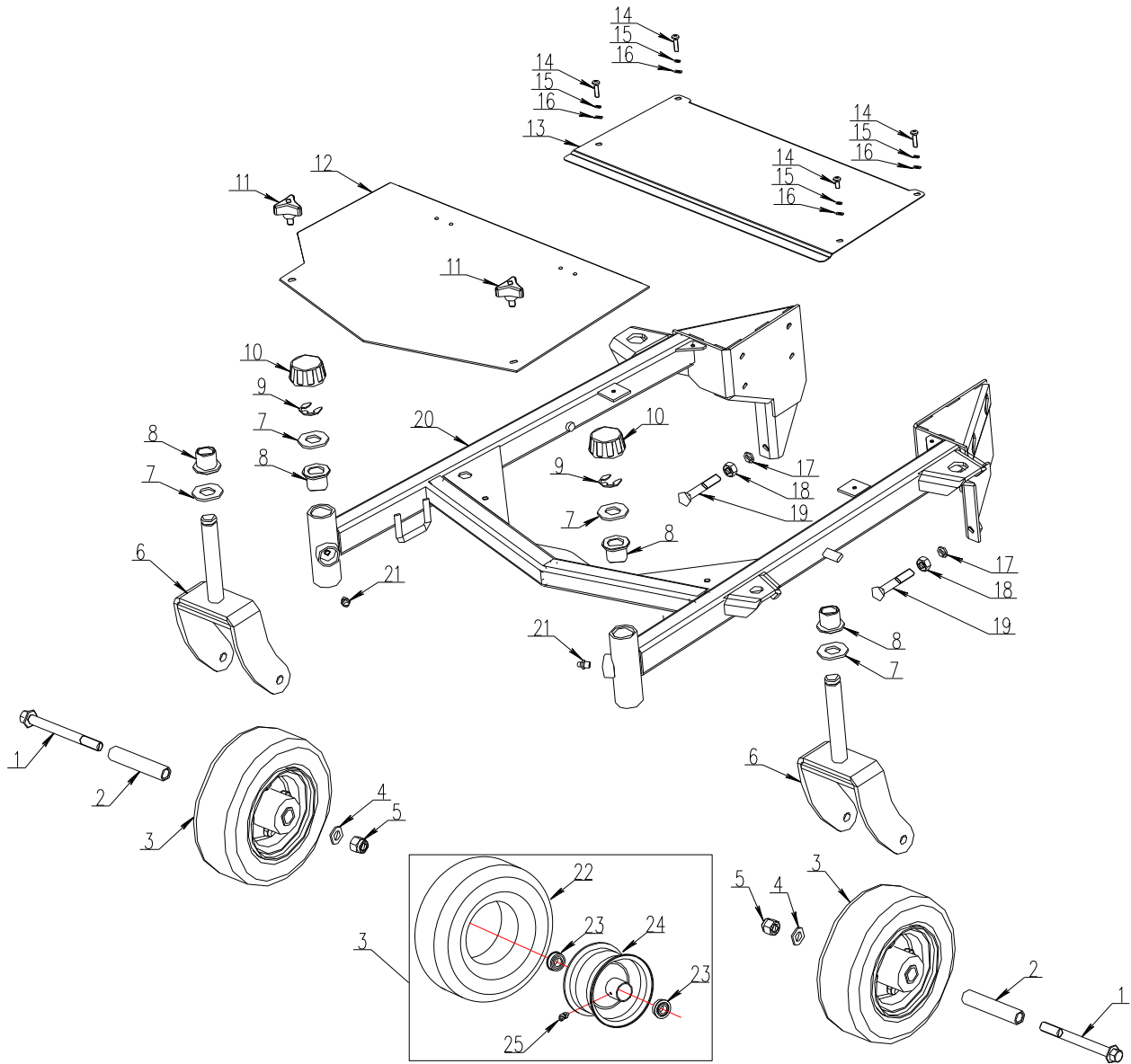


Ref	Parts NO	Description	QTY	28S	32S	Ref	Parts NO	Description	QTY	28S	32S
1		Engine	1	×	×	7	B5783-840	Bolt M8X40(B&S)	4	×	×
2	3607002	Bushing (B&S)	1	×	×		B5783-845	Bolt M8X45(HD)	2		×
	3207002	Bushing (HD)	1	×	×		2200020A	Bolt (HD)	2		×
3	2837037	key	1	×	×	8	2837036	Bushing	1	×	×
4	3607009	Transmission Drive Pulley	1	×	×	9	3307011	Disc Spring Washer	1	×	×
5	2837031	Engine Belt Pulley	1	×		10	2807016B	Bolt 7/16-20UNF×3-1/2	1	×	×
	3207010	Engine Belt Pulley	1		×	11	2803080	Right Backing Plate(Honda)	1		×
6	B6182-8	Nut M8(B&S)	4	×	×	12	2803079	Left Backing Plate (Honda)	1		×
	B6182-8	Nut M8(HD)	2		×						



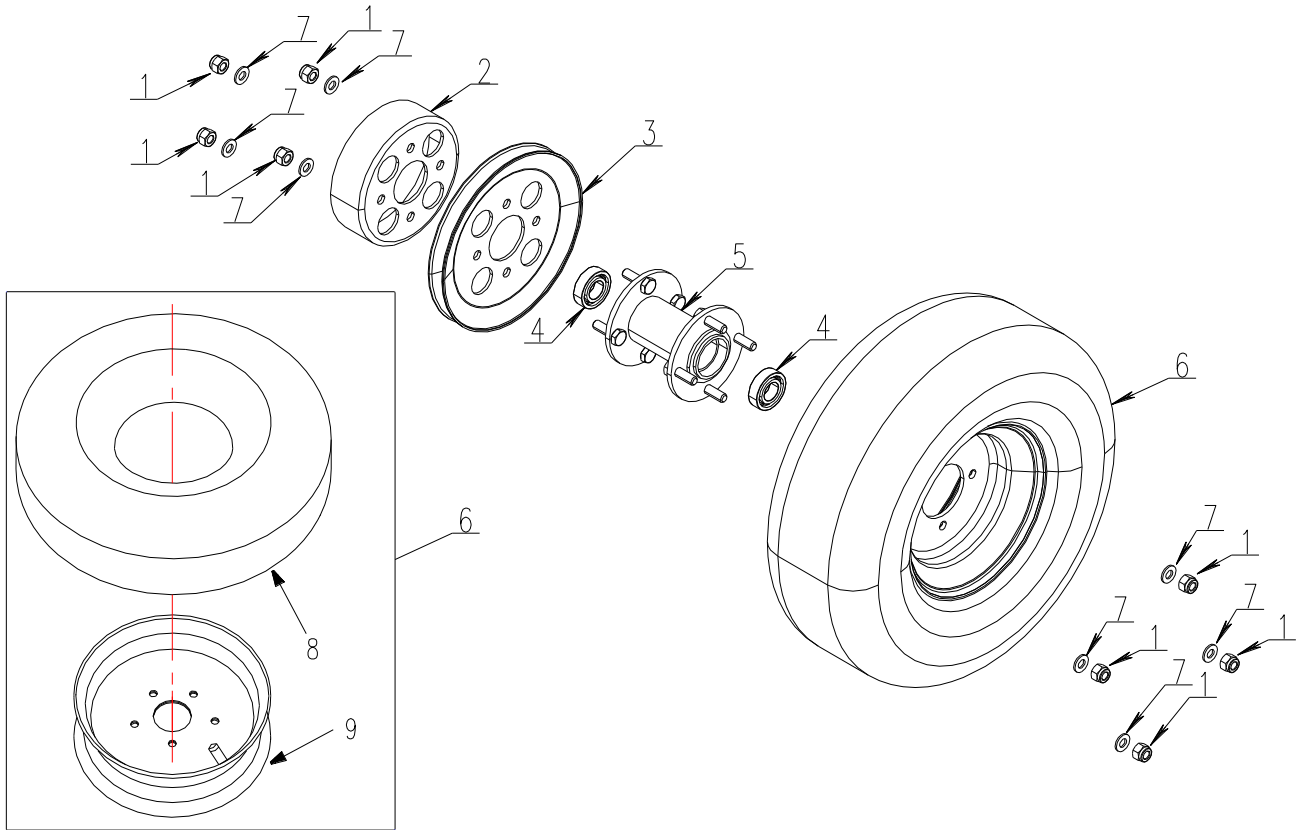
WORLDLAWN®

Front Deck Assembly



Ref	Parts NO	Description	QTY	28S	32S	Ref	Parts NO	Description	QTY	28S	32S
1	B5787-12120	Bolt M12×120	2	×	×	14	B818-510	Screw M5×10	4	×	×
2	2831055	Caster Wheel Spindle	2	×	×	15	B93-5	Washer 5	4	×	×
3	2831101	Front Wheel 8"×3"	2	×	×	16	B97.1-5	Washer 5	4	×	×
4	B97.1-12	Washer 12	2	×	×	17	B93-10	Washer 10	2	×	×
5	B6182-12	Nut M12	2	×	×	18	B6170-10	Nut M10	2	×	×
6	3201010	Caster Wheel Yoke	2	×	×	19	3603015	Bolt M10	2	×	×
7	3201005	Washer	4	×	×	20	2831030	Front Frame	1	×	×
8	3301003	Olite bronze bushing	4	×	×	21	B1152-8	Grease Fitting M8X1	2	×	×
9	B896-15	Snap Ring M15	2	×	×	22	2831102	Tire	1	×	×
10	3200011	Cover	2	×	×	23	2831103	Bearing	2	×	×
11	3302190	Three-Arm Knob	2	×	×	24	2831104	Rim	1	×	×
12	2831050	Front Cover Plate	1	×	×	25	2831105	grease fitting	1	×	×
13	2831052	Rear Shield	1	×	×						

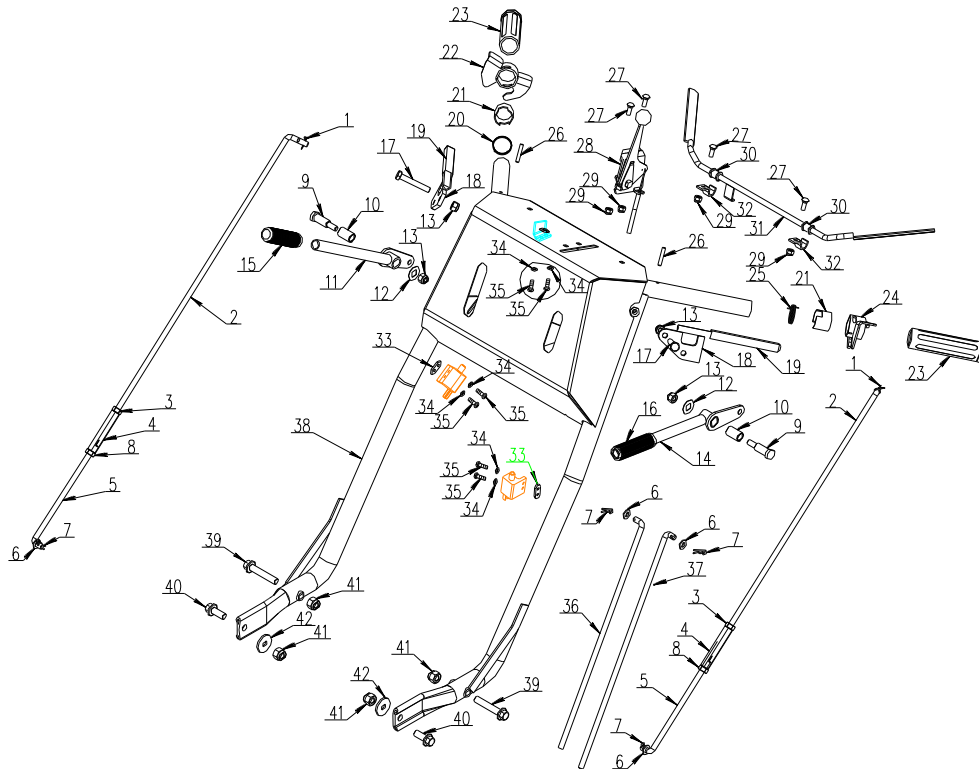
Drive Wheel Assembly



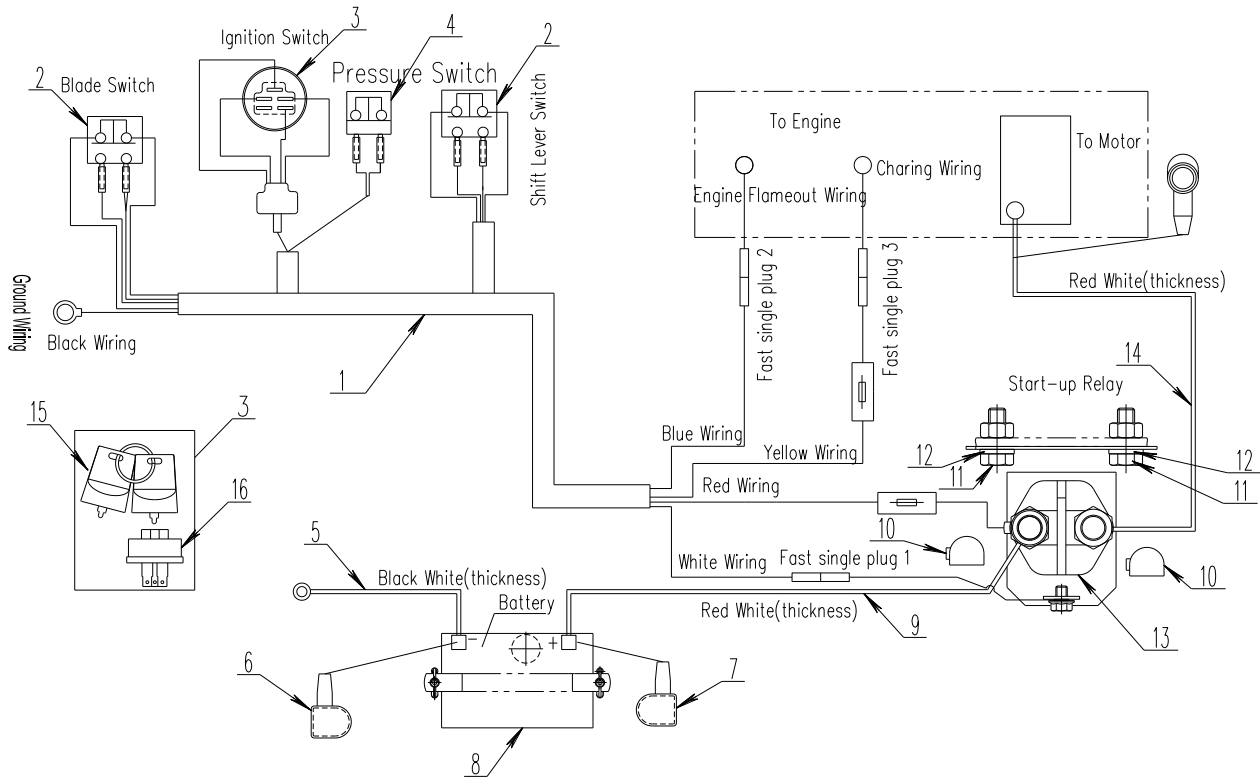
Ref	Parts NO	Description	QTY	28S	32S
1	B6187-8	Flanged locknut M8	8	×	×
2	2805003	Brake Drum	1	×	×
3	2805002	Wheel Drive Pulley	1	×	×
4	B276-6003RS	Bearing 6003-2RS	1	×	×
5	3205210	WHEEL HUB	1	×	×
6	3205201	Drive Wheel ASM	1	×	×
7	B97.1-8	Flat Washer M8	8	×	×
8	3205205	Rim	1	×	×
9	3205203	Tire	1	×	×



Handle Assembly

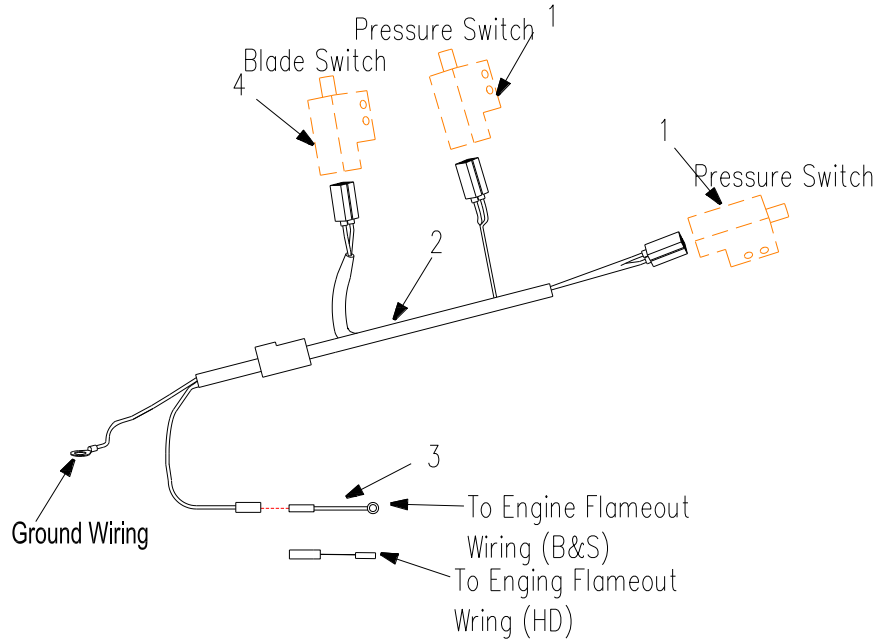


Ref	Parts NO	Description	QTY	28S	32S	Ref	Parts NO	Description	QTY	28S	32S
1	2ZS6-049001	Pin	2	×	×	23	3306005	Handle Grip	2	×	×
2	2836003	Upper Brake Control Rod	1	×	×	24	2836036	Neutral Latch-LH	1	×	×
3	B6170-8	Nut M8	2	×	×	25	3206010	Left Torsion Spring	1	×	×
4	2836005	Adjustable Lever	2	×	×	26	B879-530	Pin 5×30	2	×	×
5	2836004	Low Brake Control Rod	2	×	×	27	B801-616	Bolt M6×16	4	×	×
6	B97.1-8	Washer 8	4	×	×	28	2836020	Throttle Control Assembly(BS)	1	×	×
7	XSZ56-1-17	Pin	4	×	×		2836028	Throttle Control Assembly(HD)	1	×	×
8	B6170-08L	Nut M8 ,Levo	2	×	×	29	B6182-6	Nut M6	4	×	×
9	2806055	Axis Pin	2	×	×	30	3206005	Nylon Bushing	2	×	×
10	3303023	Nylon Bushing	2	×	×	31	3206040	Operator Presence Control Handle	1	×	×
11	2836007	Gear Shift Lever	1	×	×	32	3206004A	Nylon Bushing Bracket	2	×	×
12	2806061	Disc Spring Washer M12	2	×	×	33	5208103	Pressure Switch Bracket	2	×	×
13	B6182-8	Nut M8	4	×	×	34	B97.1-5	Washer	6	×	×
14	2836044	Blade Drive Lever	1	×	×	35	B823-516	Screw M5×16	6	×	×
15	5206012	Gear Shift Lever Grip	1	×	×	36	3206006	Shift Control Rod	1	×	×
16	2836006	Brake Lever Grip	1	×	×	37	2836002	Blade Engage Control Rod	1	×	×
17	B5782-850	Bolt M8×50	2	×	×	38	2836030	Handle Assembly	1	×	×
18	2836008	Steering Lever Weldment	2	×	×	39	B5787-1055	Bolt M10×55	2	×	×
19	2806097	Drive Lever Grip	2	×	×	40	B5787-1025	BOLT M10×25	2	×	×
20	3206011	Right Torsion Spring	1	×	×	41	B6182-10	Nut M10	4	×	×
21	3206033	Bushing	2	×	×	42	2836013	Washer	2	×	×
22	2836041	Neutral Latch-RH	1	×	×						



Ref	Parts NO	Description	QTY	28S	32S
1	2838011	Wiring Harness	1	×	
	3208061	Wiring Harness	1		×
2	5208015	Parking Brake Switch	2	×	×
3	2808140	Ignition Switch ASM	1	×	×
4	5208012	Pressure Switch	1	×	×
5	5008008	Negative Pole Cable	1	×	×
6	3312031	Battery Boot (Negative)	1	×	×
7	3312032	Battery Boot (Positive)	1	×	×
8		Battery12V 30AH	1	×	×
9	3208062	Positive pole Cable(B&S)	1	×	×
	2808103	Positive pole Cable(HD)	1		×
10	2808107	Relay Cable Cover	3	×	×
11	B5787-616	Bolt M6X16	2	×	×
12	B93-6	Washer 6	2	×	×
13	2838014	Start-up Relay	1	×	×
14	5008006	Wiring to Start Motor(B&S)	1	×	×
15	5208072	Ignition key	1	×	×
16	2808141	Ignition Switch	1	×	×


Recoil Start-up Wiring



Ref	Parts NO	Description	28S	32S
1	5208012	Pressure Switch	×	×
2	2838001	Wiring Harness	×	×
3	2808014	Engine Flameout Wiring Harness	×	×
	2808016	Connector,Two-Way HD11HP		×
4	2808005	Blade Switch	×	×

WARNING


Do not hang the hook on the front frame when in transportation and moving or could result in damage to machine.



1

WARNING

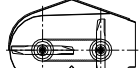
Do not hang the hook on the front frame when in transportation and moving or could result in damage to machine.



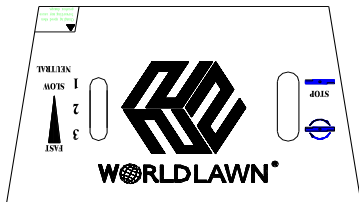
2

CAUTION

Be sure the both blades must be perpendicular to each other while installing, otherwise could result in serious mower damage.



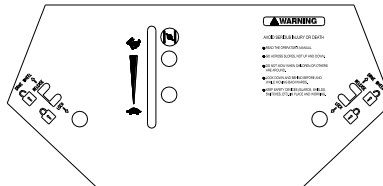
3



4

WARNING

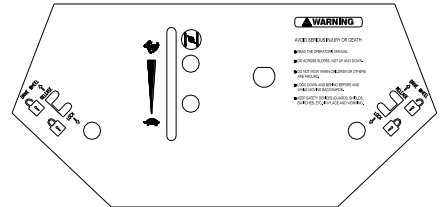
● NEVER REARUP OBJECTS
● NEVER REARUP PEOPLE
● NEVER REARUP ANIMALS
● NEVER REARUP CHILDREN
● NEVER REARUP ELECTRICAL WIRING
● NEVER REARUP FUEL LINES
● NEVER REARUP HOSES
● NEVER REARUP PIPES
● NEVER REARUP ROADS
● NEVER REARUP CURBS
● NEVER REARUP DRIVEWAYS
● NEVER REARUP SIDEWALKS
● NEVER REARUP DRIVEWAYS
● NEVER REARUP CURBS
● NEVER REARUP DRIVEWAYS
● NEVER REARUP SIDEWALKS



5

WARNING

● NEVER REARUP OBJECTS
● NEVER REARUP PEOPLE
● NEVER REARUP ANIMALS
● NEVER REARUP CHILDREN
● NEVER REARUP ELECTRICAL WIRING
● NEVER REARUP FUEL LINES
● NEVER REARUP HOSES
● NEVER REARUP PIPES
● NEVER REARUP ROADS
● NEVER REARUP CURBS
● NEVER REARUP DRIVEWAYS
● NEVER REARUP SIDEWALKS



6

WARNING

OBJECTS MAY BE THROWN FROM MOWER

● Before mowing, clear lawn of all debris.

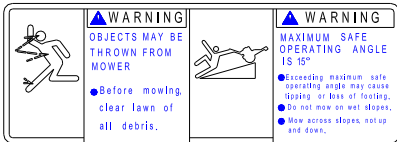
WARNING

MAXIMUM SAFE OPERATING ANGLE IS 15°

● Exceeding maximum safe operating angle may cause slipping or loss of control.

● Do not mow on wet slopes.

● Mow across slopes, not up and down.



7

Worldlawn Power Equipment

MODEL	SERIAL
	P

MADE IN CHINA

8

EMISSION CONTROL INFORMATION

JIANGSU WORLD PLANT-PROTECTING MACHINERY CO.,LTD

THIS EQUIPMENT MEETS U.S. EPA EVAP STANDARDS

EQUIPMENT FAMILY NAME:BJWPPNHEQ001

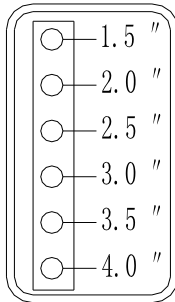
9

CAUTION

TO REDUCE THE RISK OF INJURY DO NOT OPERATE MOWER UNLESS THIS GUARD IS IN ITS PROPER PLACE



10



11

DANGER

SPINNING BLADE
KEEP CLEAR
CONTACT CAN INJURE



12

28

13



WORL DLAWN®

14

32

15

EPA-SUT-002
CARB E.O.Q-12-014
EPA/CARB COMPLIANT

16

Decal



Ref	Parts NO	Description	28S	32S
1	8932	Decal, Warning Do Not Hang	×	×
2	8931	Decal, Warning Do Not Hang	×	×
3	8070	Caution Blade Installation Decal	×	×
4	8380	Decal, Panel	×	×
5	8928	Decal, Panel Recoil	×	×
6	8930	Decal, Panel Electrc	×	×
7	8904	Decal, Warning Objects Thrown	×	×
8	8046	Name Plate	×	×
9	8601	EPA Decal	×	×
10	8045	Caution Keep Guard in Place Decal	×	×
11	8988	Adjustment Decal	×	×
12	8413	Decal, Danger Keep Clear	×	×
13	8989	28 Size Decal	×	
14	8984	WORLDLAWN LOGO	×	×
15	8933	32 Size Decal		×
16	8630	CARB Decal	×	×



WORLDLAWN®

Worldlawn Power Equipment, Inc.

Industrial Park 2415 Ashland Ave. Beatrice, NE 68310

Phone: (402) 228-4255

Fax: (402) 223-4103

www.worldlawn.com

Form No. 28203-201602