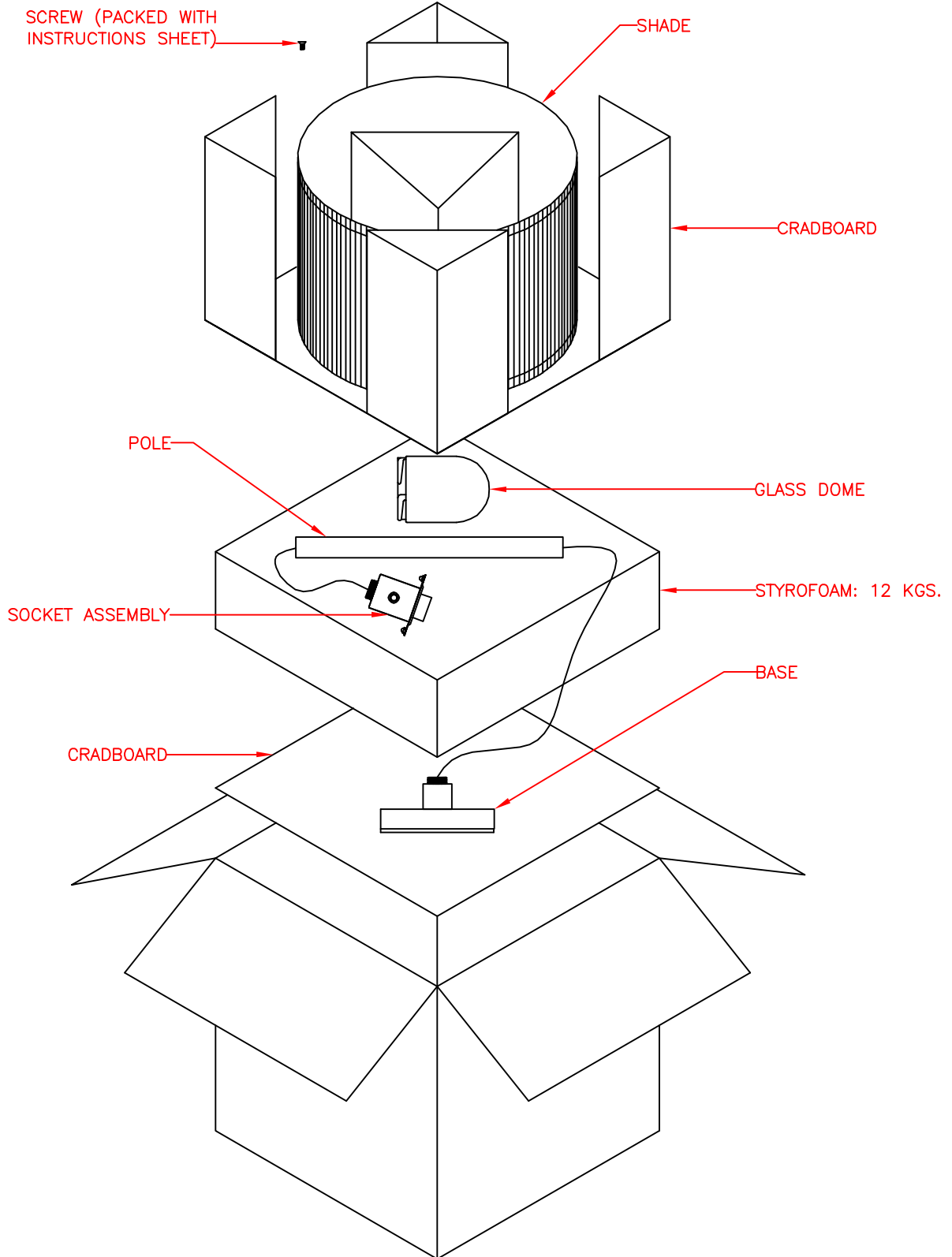
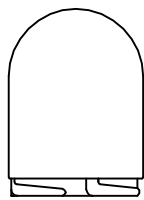


MODEL: 32279BRZ

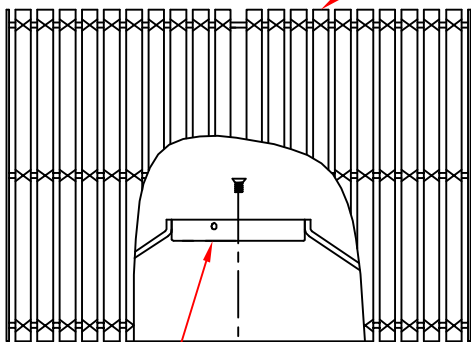
PACKING DIAGRAM



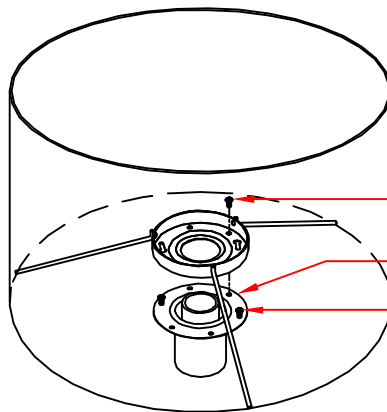


GLASS DOME  
HPYBULBSHIELD  
(REPLACEMENT  
PART)

OUTER SHADE



GLASS DOME HOLDER



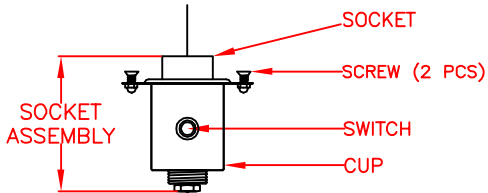
FABRIC SHADE  
32279SHBRZ  
(REPLACEMENT  
PART)

SCREW

CUP

SCREW (2 PCS)

SHADE DETAILS



SOCKET

SCREW (2 PCS)

SOCKET  
ASSEMBLY

SWITCH

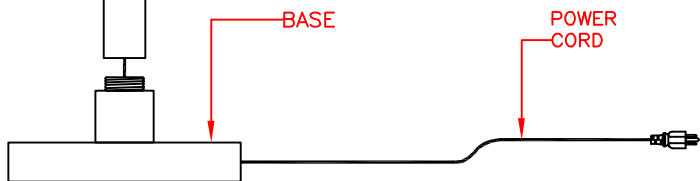
CUP

**AVAILABLE PARTS ARE:**  
32279SHBRZ (FABRIC SHADE)  
HPYBULBSHIELD (GLASS DOME)

POLE

BASE

POWER  
CORD



# ASSEMBLY INSTRUCTIONS

## READ AND SAVE THESE INSTRUCTIONS

READ INSTRUCTIONS ALL THE WAY THROUGH PRIOR TO ASSEMBLY.

THIS LAMP SHOULD TAKE APPROXIMATELY 10 MINUTES TO ASSEMBLE.

MAKE SURE ALL PARTS ARE FIRMLY TIGHTENED.

**WARNING:** WHEN USING FOR OUTDOOR USE, FOLLOW IMPORTANT SAFETY INSTRUCTIONS LISTED AT BOTTOM OF PAGE TO REDUCE THE RISK OF FIRE, ELECTRIC SHOCK, AND PERSONAL INJURY.

### UNPACK THE LAMP

YOU SHOULD HAVE RECEIVED THE FOLLOWING PARTS IN THE PACKAGE: GLASS DOME, OUTER SHADE WITH FABRIC SHADE, SCREW, SOCKET ASSEMBLY, POLE AND BASE. TO PROTECT THE FINISH, PLACE ALL PARTS ON A SOFT SURFACE.

### ASSEMBLE THE LAMP

1. CAREFULLY ORGANIZE AND PLACE ALL PARTS ON A SMOOTH, FLAT SURFACE. LINE UP ALL OF THE PARTS ACCORDING TO THE ASSEMBLY DIAGRAM.
2. SCREW POLE TO TOP OF THE BASE.
3. PULL THE EXCESS POWER CORD THROUGH THE BASE.
4. SCREW SOCKET ASSEMBLY TO TOP OF THE POLE.
5. INSERT THE TWO SCREWS ON TOP OF CUP INTO THE TWO KEYHOLES IN GLASS DOME HOLDER AND TWIST THE SHADE CLOCKWISE.
6. SECURE THE OUTER SHADE WITH FABRIC SHADE TO THE CUP WITH A SCREW, THEN TIGHTEN THE OTHER (2) SCREWS.
7. INSTALL A 100 WATT MAXIMUM MEDIUM BASE TYPE "A" BULB (NOT INCLUDED) INTO SOCKET.
8. SCREW GLASS DOME TO THE GLASS DOME HOLDER.
9. PLUG THE POWER CORD INTO AN OUTLET AND TURN ON AT SWITCH.

### BULB REPLACEMENT

1. BEFORE REPLACING THE BULB, BE SURE THAT THE GLASS DOME AND BULB ARE COOL AND LAMP IS UNPLUGGED.
2. UNSCREW GLASS DOME AND EXISTING BULB, REPLACE WITH A NEW BULB AND RECOVER THE GLASS DOME. PLUG POWER SUPPLY CORD BACK INTO OUTLET.

### CLEANING THE SHADE

WASH THE SHADE WITH A SOFT BRUSH AND MILD DETERGENT (SUCH AS DISHWASHING SOAP) AND THEN THOROUGHLY RINSED.

### TROUBLE SHOOTING

1. IF YOUR LAMP DOES NOT LIGHT, CHECK PLUG AT THE OUTLET. MAKE SURE THE PLUG IS FULLY AND PROPERLY INSERTED INTO THE POWER OUTLET.
2. IF LAMP STILL DOES NOT LIGHT, UNPLUG FROM OUTLET. CHECK THE BULB FOR A BROKEN FILAMENT. REPLACE BULB IF NECESSARY, PLUG IN LAMP AND TURN IT ON.
3. IF THE LAMP STILL DOES NOT LIGHT, PLEASE CONTACT YOUR DISTRIBUTOR OR PLACE OF PURCHASE.

### IMPORTANT SAFETY INSTRUCTIONS

1. USE ONLY THREE-WIRE OUTDOOR EXTENSION CORDS THAT HAVE THREE-PRONG GROUNDING PLUGS AND GROUNDING RECEPTACLES THAT ACCEPT THE APPLIANCE'S PLUG.
2. GROUND FAULT CIRCUIT INTERRUPTER (GFCI) PROTECTION IS TO BE PROVIDED ON THE CIRCUIT OR OUTLET TO BE USED FOR THE WET LOCATION PORTABLE LUMINAIRE. RECEPTACLES ARE AVAILABLE HAVING BUILT-IN GFCI PROTECTION AND ARE ABLE TO BE USED FOR THIS MEASURE FOR THIS MEASURE OR SAFETY.
3. USE ONLY WITH AN EXTENSION CORD FOR OUTDOOR USE. SUCH AS AN EXTENSION CORD OF CORD TYPE SW, SW-A, SOW, SOW-A, STW, STW-A, STOW, STOW-A, SJW, SJW-A, SJOW, SJOW-A, SJTW, SJTW-A, OR SJTOW, SJTOW-A.

