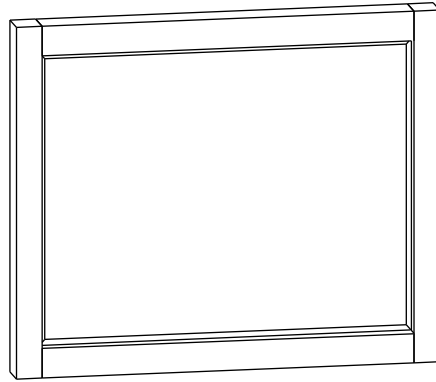


# WYNDHAM COLLECTION



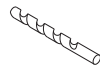
## REQUIRED TOOLS NOT IN BOX



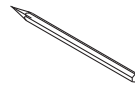
Electric drill



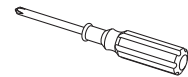
Tape measure



Drill bit ( $\Phi 8$ )



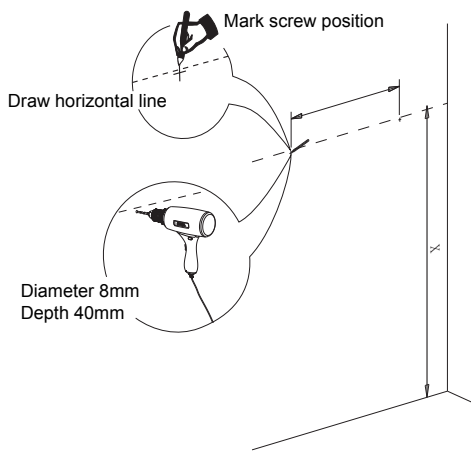
Pencil



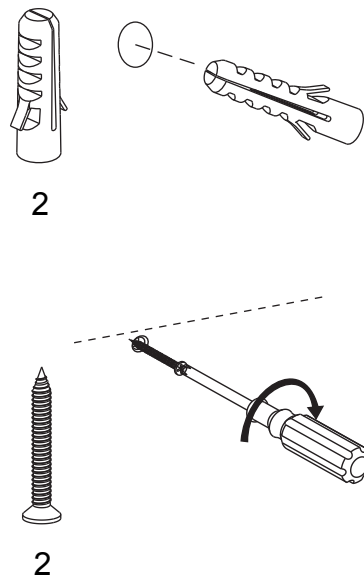
Screwdriver

## INSTALLATION INSTRUCTIONS

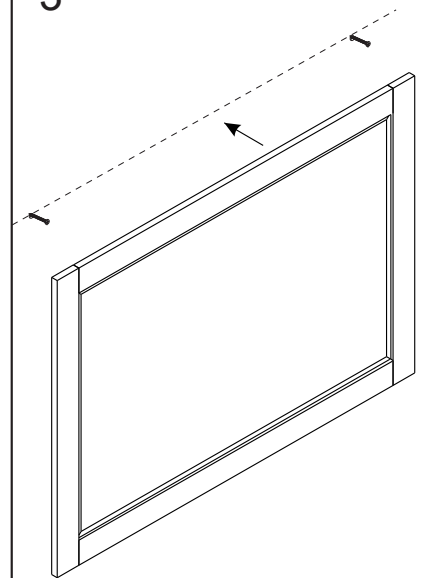
1



2



3



WG-R4100-MIR-46  
INSTALLATION