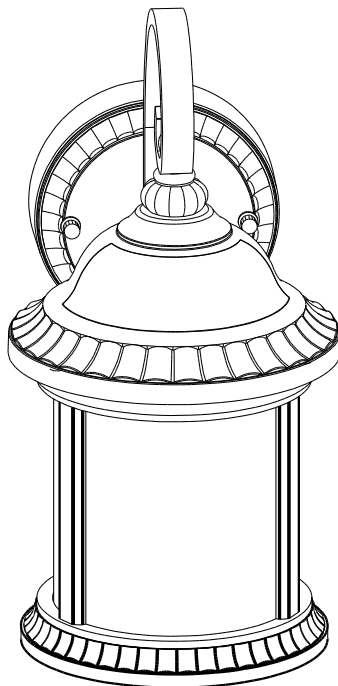


USE AND CARE GUIDE

EXTERIOR MOTION SENSOR, DUSK-TO-DAWN WALL LANTERN



Questions, problems, missing parts? Before returning to the store,
call Home Decorators Collection Customer Service
8 a.m. - 7 p.m., EST, Monday - Friday, 9 a.m. - 6 p.m., EST, Saturday

1-800-986-3460

HOMEDEPOT.COM/HOMEDECORATORS

THANK YOU

We appreciate the trust and confidence you have placed in Home Decorators Collection through the purchase of this exterior wall lantern. We strive to continually create quality products designed to enhance your home. Visit us online to see our full line of products available for your home improvement needs. Thank you for choosing Home Decorators Collection!

Table of Contents

Table of Contents.....	2	Tools Required	4
Safety Information.....	2	Hardware Included.....	4
Warranty.....	2	Package Contents.....	5
What is Covered.....	2	Installation	6
What is Not Covered.....	2	Operating Motion Sensor.....	8
Pre-Installation.....	3	Care and Cleaning.....	9
Specifications	3	Troubleshooting	9
Selecting a Location.....	3		
Planning Installation.....	4		

Safety Information



WARNING: Carefully read and understand the information given in this manual before beginning the assembly and installation. Failure to do so could lead to electric shock, fire or other injuries which could be hazardous or even fatal.



WARNING: Be sure the electricity to the wires you are working on is shut off. Either remove the fuse or turn the circuit off.

NOTICE: Changes or modifications not expressly approved by the party responsible for compliance could void the user's authority to operate the equipment.

Warranty

WHAT IS COVERED

The manufacturer warrants this lighting fixture to be free from defects in materials and workmanship for a period of three (3) years from date of purchase. This warranty applies only to the original consumer and only to products used in normal use and service. If this product is found to be defective, the manufacturer's only obligation, and your exclusive remedy, is the repair or replacement of the product at the manufacturer's discretion, provided that the product has not been damaged through misuse, abuse, accident, modifications, alterations, neglect or mishandling.

WHAT IS NOT COVERED

This warranty shall not apply to any product that is found to have been improperly installed, set-up, or used in any way not in accordance with the instructions supplied with the product. This warranty shall not apply to a failure of the product as a result of an accident, misuse, abuse, negligence, alteration, or faulty installation, or any other failure not relating to faulty material or workmanship. This warranty shall not apply to the finish on any portion of the product, such as surface and/or weathering, as this is considered normal wear and tear.

The manufacturer does not warrant and specially disclaims any warranty, whether express or implied, of fitness for a particular purpose, other than the warranty contained herein. The manufacturer specifically disclaims any liability and shall not be liable for any consequential or incidental loss or damage, including but not limited to any labor / expense costs involved in the replacement or repair of said product.

Contact the Customer Service Team at 1-800-986-3460 or visit www.HomeDepot.com/HomeDecorators.

SPECIFICATIONS

Motion Sensor Range	Up to 30 feet (varies with surrounding temperature)
Sensor Detection Angle	180°
Electrical Requirements	120 VAC, 60HZ
Light Bulb	100W Incandescent light bulb or 26W LED light bulb
Installation Height	Ideally, 6.5 feet, ± 0.7 feet (1.8 - 2.2 meters) above the ground.

SELECTING A LOCATION

- The motion sensor's maximum range is 180° detection width angle (Fig. 1), and is 30° detection down-angle (Fig. 2). Mounting the fixture too high or in front of a sloped surface, such as an uphill walkway or driveway, may affect the motion sensor's effectiveness.

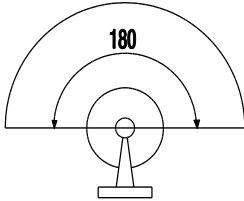


FIG.1

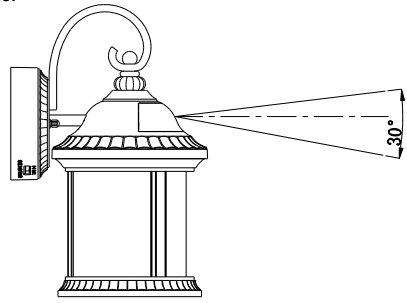
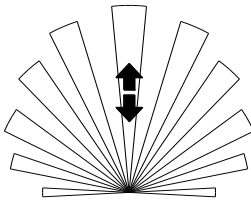
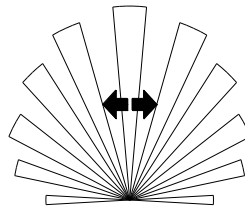


FIG.2

- The motion sensor is more sensitive to movement across its coverage area (Fig. 3) and less sensitive to movement toward or away from the motion sensor (Fig. 4)



SENSOR
FIG.3



SENSOR
FIG.4

- Select locations away from nighttime light sources, such as street lamps or other light fixtures. They may shine light onto the fixture's photocell sensor (located in the motion sensor head). This light might trick the circuit to think it is daytime and not allow the fixture's functions to operate.
- Select locations away from heat sources, such as heating vents, air conditioners, and heated swimming pools.
- Shade from a deep porch or an eave may not allow enough daylight to shine onto the photocell sensor and may trick the circuit to think it is nighttime, and subsequently cause the light to illuminate during the day.
- Motorized equipment, such as power tools, on the same electrical circuit may cause oscillations on the electrical line which might cause the fixture to malfunction.

Pre-Installation (continued)

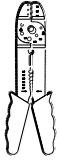
PLANNING INSTALLATION

Read all instructions before assembly. Before starting installation of this fixture or removal of a previous fixture, disconnect the power by turning off the circuit breaker or by removing the fuse from the fuse box. To avoid damaging this product, assemble it on a soft, non-abrasive surface such as carpet or cardboard.



NOTE: Keep your receipt and these instructions for proof of purchase.

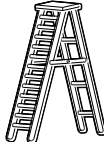
TOOLS REQUIRED



Wire Strippers



Safety Goggles



Ladder



Gloves



Flathead Screwdriver



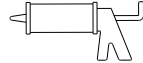
Phillips Screwdriver



Electrical Tape



Wire Cutters

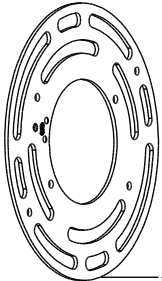


Caulk

HARDWARE INCLUDED



NOTE: Hardware not shown to actual size.



AA



BB



CC



DD

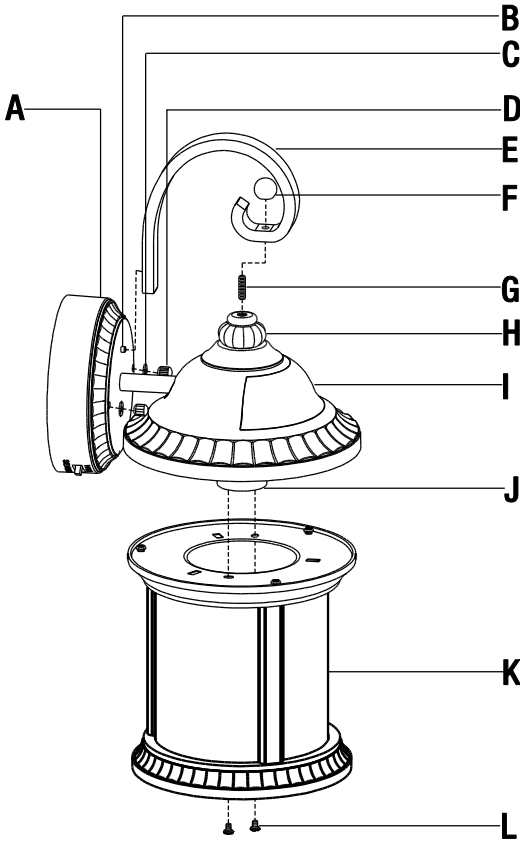


EE

Part	Description	Quantity
AA	Mounting Plate	1
BB	Ground Screw	1
CC	Mounting Screw (48 mm)	2
DD	Outlet Box Screw (15 mm)	2
EE	Wire Connector	3

Pre-Installation (continued)

PACKAGE CONTENTS

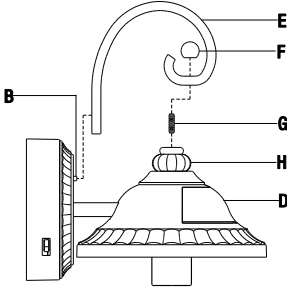


Part	Description	Quantity
A	Wall Plate	2
B	Mounting Point	1
C	Washer	2
D	Lock Nut	1
E	Arm	1
F	Finial	1
G	Nipple (22 mm)	1
H	Decorative Ball	1
I	Top Cover	1
J	Socket	1
K	Fixture Frame	1
L	Pan Screw (6 mm)	2

Installation

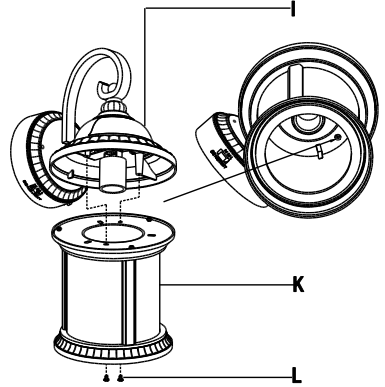
1 Attaching the arm

- Screw the nipple (G) about 1/3 in. into the decorative ball (H).
- Place the hole on the bottom of the arm (E) over the mounting point (B).
- Place the hole on the top of the arm (E) onto the nipple (G).
- Screw the finial (F) onto the nipple (G) to secure the arm (E).



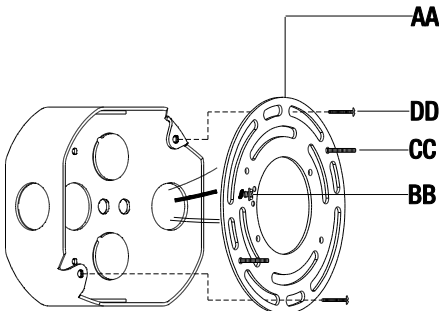
2 Attaching the fixture frame to the top cover

- Align the fixture frame (K) under the top cover (I).
- Use a Phillips screwdriver to screw the two pan screws (L) into the holes on the top cover (I) to secure the fixture frame (K).



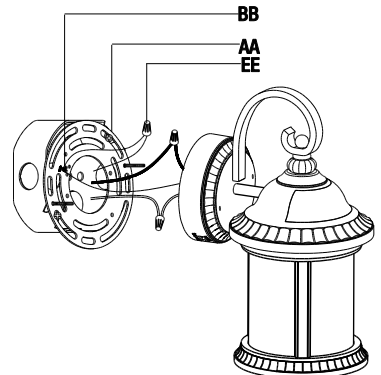
3 Attaching the mounting plate to the outlet box

- Screw the ground screw (BB) into the mounting plate (AA).
- Screw the mounting screws (CC) into the mounting plate (AA).
- Use the outlet box screws (DD) to attach the mounting plate (AA) to the outlet box (not included).
- Make sure the threads of the mounting screws (CC) are facing out when the mounting plate (AA) is attached to the outlet box.



4 Connecting the electrical wires

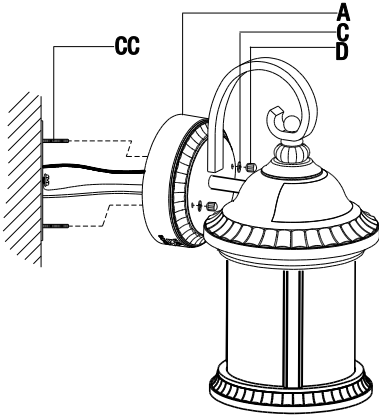
- Wrap the ground wire from the fixture around the ground screw (BB) on the mounting plate (AA). Use a wire connector (EE) to connect the ground wire from the fixture to the ground wire from the outlet box.
- Use a wire connector (EE) to connect the white wire from the fixture to the white wire (neutral wire) from the outlet box.
- Use a wire connector (EE) to connect the black wire from the fixture to the black wire (live wire) from the outlet box.
- Wrap the three wire connections with electrical tape for a more secure connection.
- Position the wires back inside the outlet box.



Installation (continued)

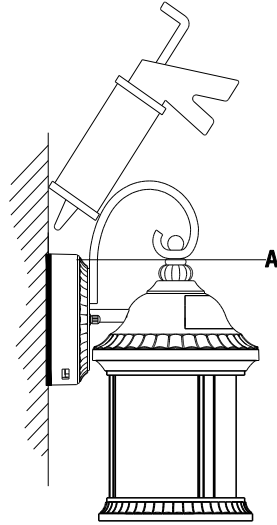
5 Securing the fixture to the wall

- Align the mounting screws (CC) to protrude through the holes on the wall plate (A).
- Place a washer (C) onto each of the mounting screws (CC).
- Screw the lock nuts (D) onto the protruding mounting screws (CC) to secure the fixture against the wall.



6 Applying caulk

- Caulk the space between the wall and the upper 3/4 area of the wall plate (A) to prevent water seeping into the wall.
- Leave the bottom 1/4 area uncaulked for drainage of any water which might leak into the enclosure.

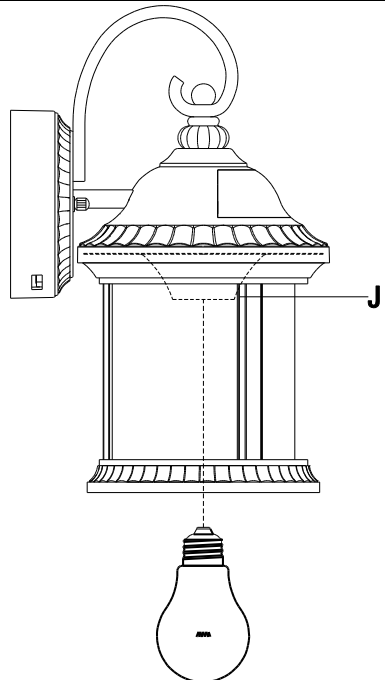


7 Installing a light bulb

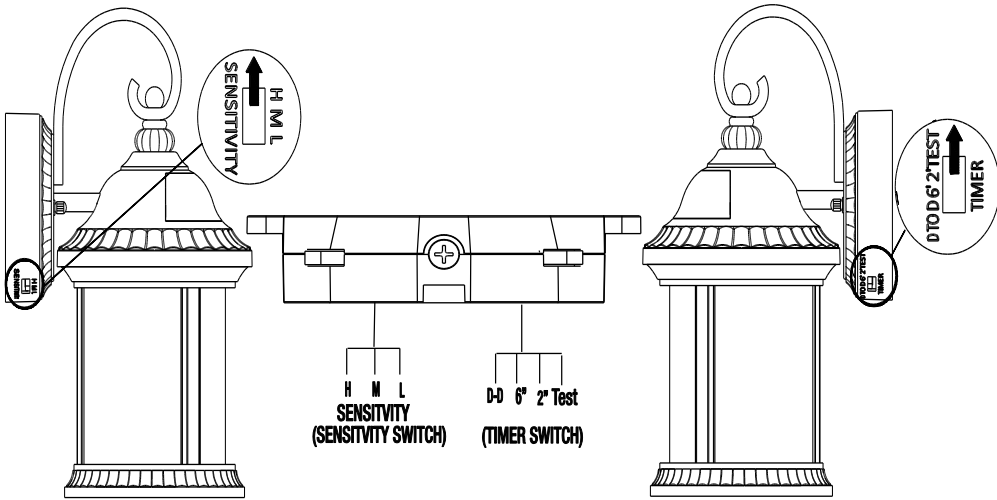
- Install a 100-Watt maximum, medium-base incandescent bulb (not included) into the socket (J).



NOTE: You can use a LED energy-saving bulb that does not exceed 14.5 Watts (sold separately).



Operating Motion Sensor



Sensitivity	Description
H	High. In this setting, the sensitivity is the highest. The fixture will illuminate when the motion sensor detects motion within 0 - 30 feet from the motion sensor.
M	Medium. In this setting, the sensitivity is average. The fixture will illuminate when the motion sensor detects motion within 0 - 10 feet from the motion sensor.
L	Low. In this setting, the sensitivity is the lowest. The fixture will illuminate when the motion sensor detects motion within 0 - 5 feet from the motion sensor.

Mode	Timer Switch	Description
Stand-by	Test, 2, or 6	This is the initial state. If you have turned off the power for a long period of time and then restore power to the fixture, the light will illuminate and remain illuminated for approximately 20 seconds regardless of motion. Then it enters the Auto Detection Mode or Test Mode based on the setting of the Timer switch.
Auto Detection	2 or 6	This is the normal motion detection mode. The motion sensor illuminates the light automatically after sensing movement in the coverage area at dusk and stays on as long as motion is detected. When motion stops, the light remains on for either 2 minutes or 6 minutes (as set on Timer Switch) and then automatically turns off.
Test	Test	This mode allows you to adjust the sensitivity of the motion sensor to a desired level at dusk or dawn. When motion stops, the light will turn off in about 5 seconds.
Manual Override with Auto Reset	N/A	This mode allows you to keep the fixture illuminated for about 8 straight hours. The manual override mode only works at night (when the outside light intensity level is below 20 Lux). To activate the feature, turn the wall switch off then back on within 2 seconds. After 8 hours, the fixture resets itself back to Auto Detection Mode.
Dusk-to-Dawn	D-D	In this mode, the light turns on at dusk and off at dawn automatically, regardless of the presence of motion. The "D-D" setting ensures lights are non-operational in daylight and only function at night. To activate, set the Timer switch to the "D-D" position.

Care and Cleaning

Clean the fixture with a soft, dry cloth.
Do not use any cleaners with chemicals, solvents or harsh abrasives.



WARNING: Before attempting to clean the fixture, disconnect the power to the fixture by turning the breaker off or removing the fuse from the fuse box.

Troubleshooting

Problem	Possible Cause	Solution
In motion sensing mode, the light does not turn on when there is motion.	The wall switch or circuit breaker is off.	Turn on a switch or circuit breaker.
	The light bulb may be dead.	Test the light bulb in a known working light fixture.
	The light bulb is loose.	Tighten the light bulb in the socket.
	Incorrect or loose wire connections.	Check the wire connections.
	Too much sunlight is shining onto the photocell sensor in the early evening.	Relocate fixture away from a western facing wall.
	Too much light is shining onto the photocell sensor due to another light source, such as a street lamp or other light fixture.	Eliminate or turn off other light source, block other light source from shining onto photocell sensor, or relocate the fixture.
In motion sensing mode, the light stays on continuously.	Moving people or vehicles are below the view of the motion sensor, because the motion sensor is mounted too high.	Relocate the fixture to a lower position or to a different location.
The light comes on for no apparent reason.	False triggering caused by a heat source, such as a heater or dryer vent, or heated swimming pool.	Eliminate the heat source or relocate fixture.
	Street or sidewalk traffic is triggering the motion sensor.	Lower the sensitivity.
The light comes on during the daytime or too early in the evening.	False triggering caused by a heat source, such as a heater or dryer vent, or heated swimming pool.	Eliminate the heat source or relocate fixture.
	The fixture may be installed in a shaded area, such as under a porch or eave, preventing daylight from shining onto the photocell sensor.	Relocate the fixture.

HOME DECORATORS COLLECTION

Questions, problems, missing parts? Before returning to the store,
call Home Decorators Collection Customer Service
8 a.m. - 7 p.m., EST, Monday - Friday, 9 a.m. - 6 p.m., EST, Saturday

1-800-986-3460

HOMEDEPOT.COM/HOMEDECORATORS

Retain this manual for future use.