

Spira Mailbox and Post System

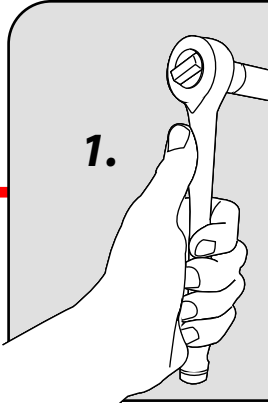
A Brand of 603 Products, LLC

Contents: Spira Post

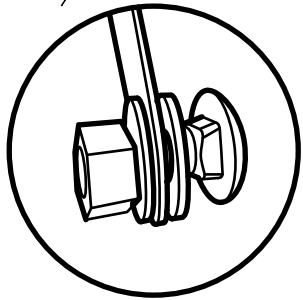
Fasteners included:

- 2 - 3/8" Stainless steel bolts
- 2 - 3/8" stainless nuts
- 2 - Stainless steel washers
- 2 - Retainer washers

Postbox, Address Plate and Cap Purchased Separately

1.  Place washers between the Spira Postbox and fasteners

Use 9/16" or 14mm socket or wrench.

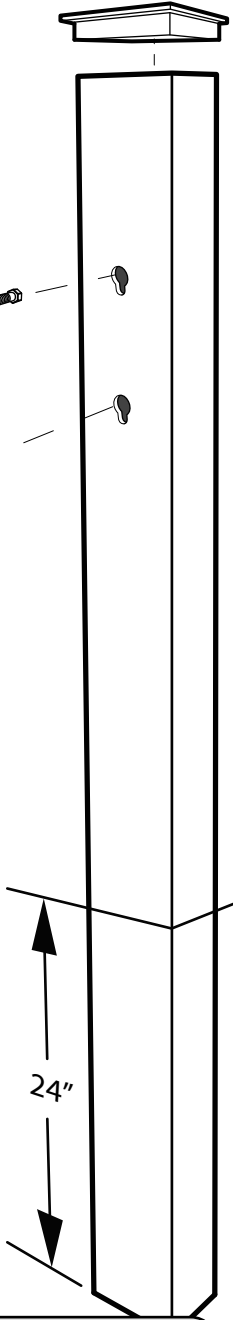
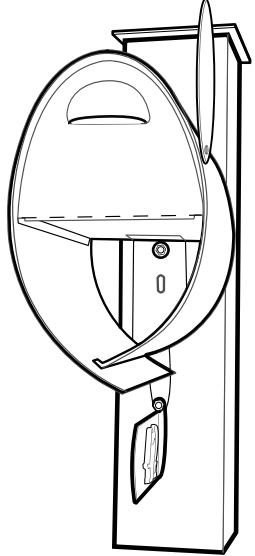
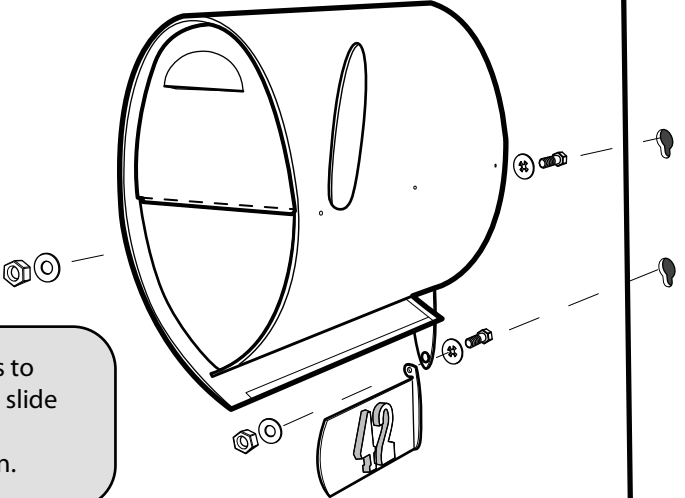


Assemble fasteners to Postbox before hanging on keyhole slots.

2. Assemble fasteners to Spira Postbox then slide into keyhole slots on post and tighten.

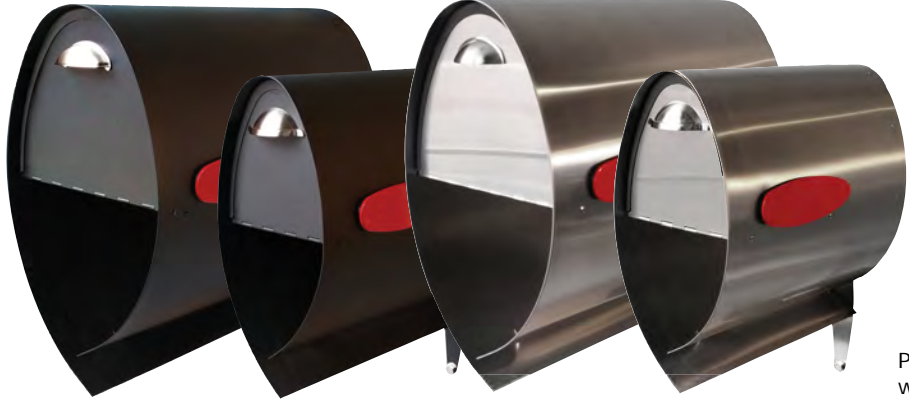
3. If the house number plate was purchased, place before securing lower fastener.

Assembly Instructions



Installation
Install post 24" under ground level

Spira Postbox Family



Black Large Black Medium Stainless Large Stainless Medium

Please visit our website for a complete listing of products and accessories available.



Stainless Large Installed