

SHOWERCAST PORCELAIN ENAMEL 60" x 30" X 4" SHOWER BASE



010-1000 RH DRAIN, SLIP-RESISTANT
010-1001 LH DRAIN, SLIP-RESISTANT

DESCRIPTION:

The ShowerCAST is a 60" x 30" x 4" porcelain enameled steel shower base designed for new installations and remodel applications where an easy-access shower solution is desired. Bootz ShowerCAST is a step above plastic/composite competitors, inviting quality upgrades to residential, hospitality and commercial (hotel, motel and multi-housing) applications. ShowerCAST is constructed of one-piece heavy gauge seamless steel with an acid-resistant, high-gloss, sanitary, and stain-resistant porcelain enamel finish. ShowerCAST fits into the footprint of a typical industry-standard 5' bathtub alcove, shares a similar drain-hole location (for easier remodel plumbing), weighs only 45 lbs., and is very easy to install - just set it and level it. The full length support pad provides added strength for better durability, flat base for ease of installation, and noise absorbing capabilities for a luxurious peaceful shower. This product is compatible or complies with ASME A112.19.1/CSA B45.2 (Standard for Enameled Steel Plumbing Fixtures), ADA (American Disabilities Act), ASTM F 462 (Safety Specification for Slip Resistant Bathing Facilities), WW-P 541 (U.S. Military Federal Specification), HUD-FHA-VA, LEED, and the Buy American Act, as applicable when installed accordingly. Available in white, bone and biscuit colors, with a right or left hand drain. Made in the USA.

Weight: 45 lbs



1400 Park Street • P.O. Box 18010 • Evansville, IN 47719-1010 • (812) 423-5401 • Fax (812) 429-2254 • www.bootz.com • webmaster@bootz.com

SHOWERCAST PORCELAIN ENAMEL 60" x 30" X 4" SHOWER BASE

ShowerCAST 5' Shower Base

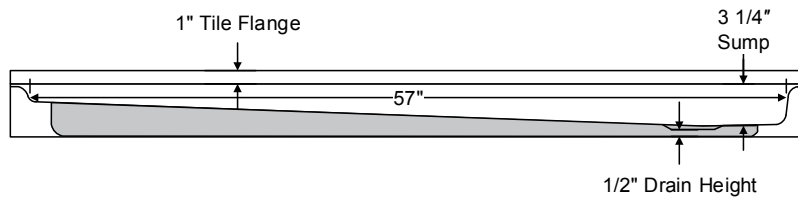
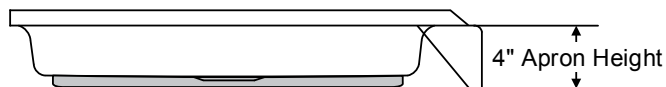
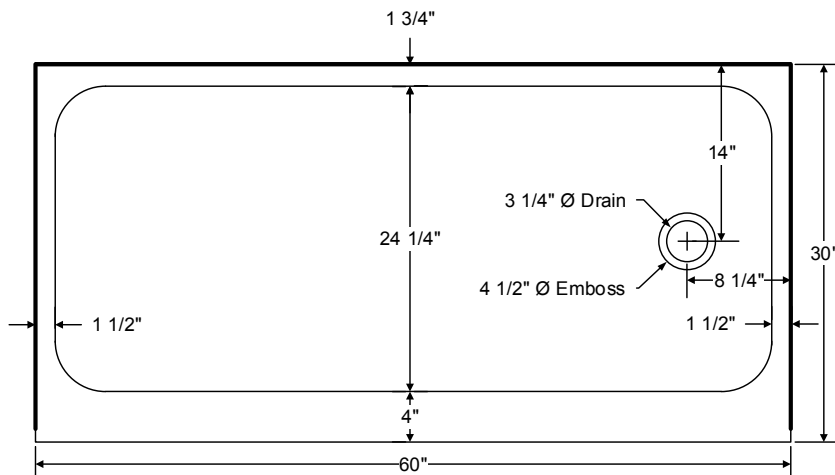
60" x 30" x 4"

Weight: 45 lbs

Standard Outlet

010-1000 RH Drain, slip-resistant

010-1001 LH Drain, slip-resistant



Complies with:

All fixtures are compatible or comply with ANSI, ASME, CSA, WW-P 541, HUD-FHA-VA, LEED and the "Buy America Act" where applicable when installed accordingly.

Standard Features:

Full length sound deadening pad
Slip resistant bottom
Set it and level it

Made in the USA

All Dimensions +/- 1/8" unless otherwise noted.

Dimensions shown are for reference.

Actual dimensions may vary slightly and should be checked prior to installation

SS 5/14

