

STANDARD FIXED SKYLIGHT

INSTALLATION GUIDE



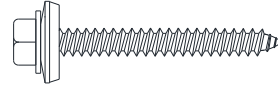
6201 27TH STREET
SACRAMENTO, CA 95822 U.S.A
800.289.4700 TOLL FREE
916.395.4700 PHONE
916.395.9204

STANDARD FIXED SKYLIGHT
INSTALLATION GUIDE
© SUNOPTICS 2011
Rev. 02
Page 1 of 4

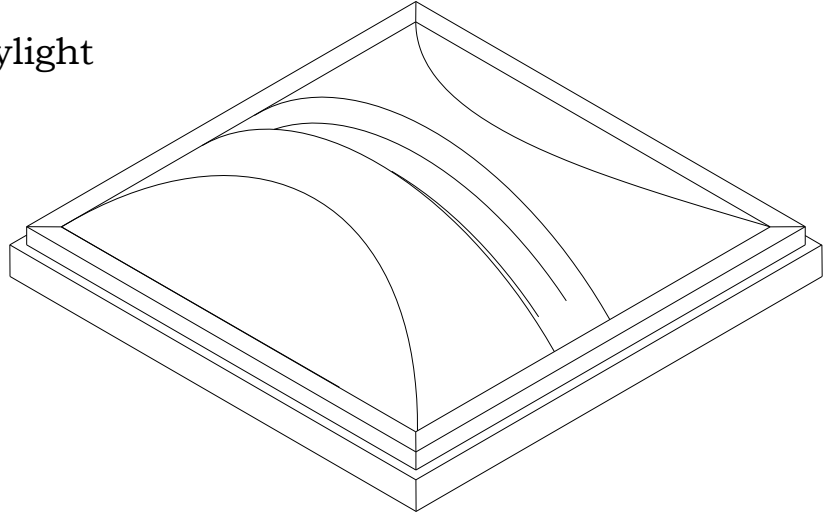
STANDARD FIXED SKYLIGHT

Parts List

1. #12 x 1-1/2" Hex Washer Head Screw
(1 per installation hole)



2. Sunoptics Fixed Skylight



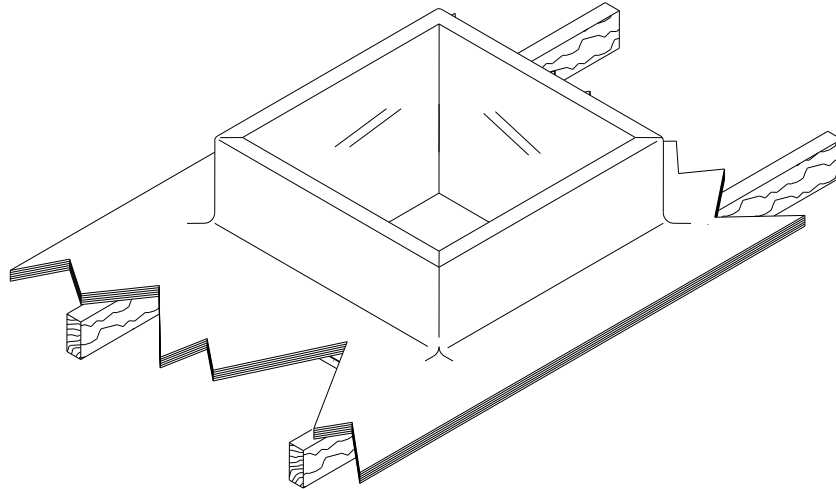
Thank You for Purchasing our High Performance Prismatic Daylighting System

1. **Caution:** Handle Unit with Care. Insure the inside of the unit is clear of debris throughout the installation process.
2. Verify all materials are on site, and available for installation.
3. Consult your engineer or roofing professional for structural support needs based on local building codes and roofing system product to be installed in.
4. Be sure to follow all safety protocols.
5. You are ready to install!

STANDARD FIXED SKYLIGHT

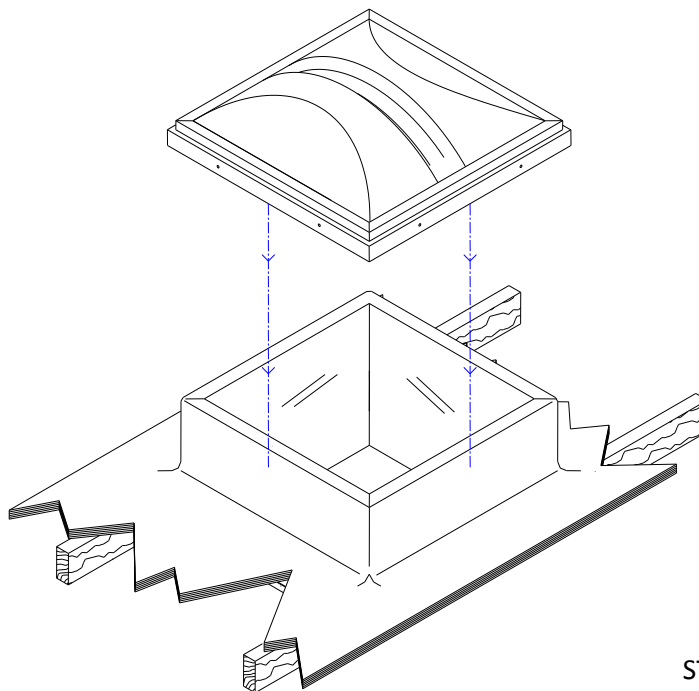
Step 1

Insure that skylight curb is of required dimension, square and properly flashed.



Step 2

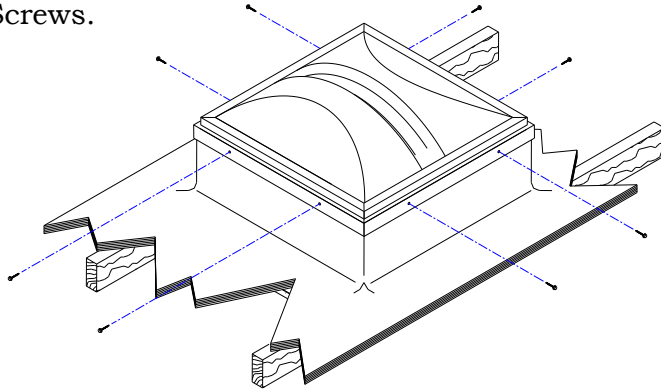
Set skylight over prepared curb making sure there is equal clearance on all four sides.



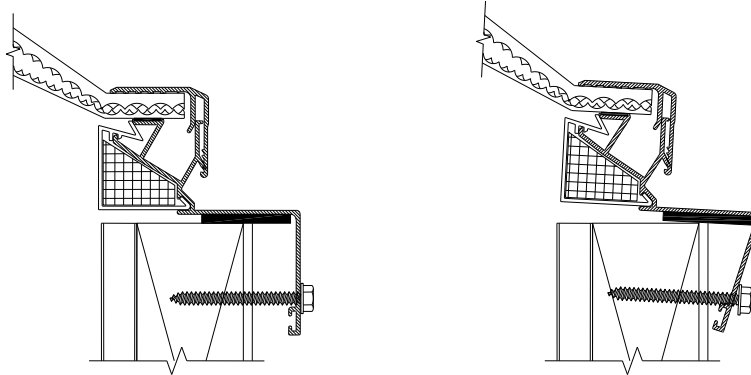
STANDARD FIXED SKYLIGHT

Final Step

Attach Skylight with provided Screws.



NOTE: drive screws just snug to the flange, making sure not to distort the skylight frame. **(SEE BELOW)**



Correct Mounting

Incorrect Mounting

Warning:

Sunoptics recommends professional installation of the skylights by a competent licensed contractor. Sunoptics is not an insurer of, or for any Contractor/Installer of its products and has no control over the installation process. Therefore Sunoptics is to be held completely harmless from any litigation arising from installation mishap, regardless of cause, or severity.

Sunoptics recommends using only reputable contractors that are experienced licensed and bonded. This is a guide for typical installation, your specific installation techniques may vary. You are responsible for complying with local building codes. Please consult an engineer regarding structural modifications and support for the system.