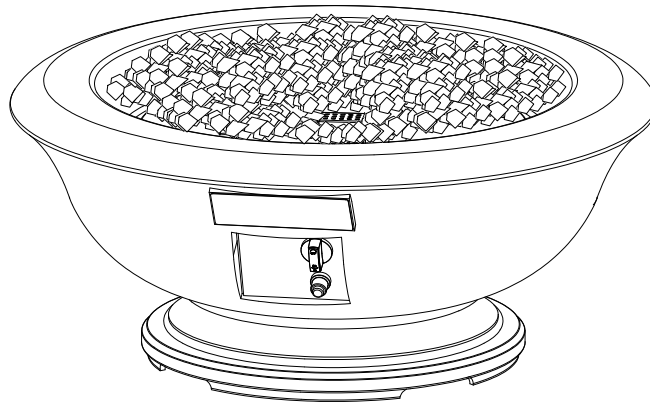




realflame®  
fireplaces

Lot: \_\_\_\_\_

P.O. \_\_\_\_\_



**C11838LP Treviso**  
**Round Propane Fire Pit**  
**Owner's Manual**

**! IMPORTANT**  
**SAVE THESE**  
**INSTRUCTIONS**

**! WARNING**  
For outdoor use only. DO NOT use for cooking. DO NOT use under any overhead enclosure.



**! WARNING**

If the information in this manual is not followed exactly, a fire or explosion may result causing property damage personal injury or loss of life.

Installation and service must be performed by a qualified installer, service agency or gas supplier.

Improper Installation, adjustment, alteration, service or maintenance can cause injury or property damage.

Read the installation, operation and maintenance instructions thoroughly before installing or servicing this equipment.

Save these instructions for future reference. If you are assembling this unit for someone else, give this manual to him or her to read and save for future reference.

**! DANGER**

If you smell gas:

1. Shut off gas to the appliance.
2. Extinguish any open flame.
3. If odor continues, keep away from the appliance and immediately call your gas supplier or fire department.

**! WARNING**

Do not store or use gasoline or other flammable vapors and liquids in the vicinity of this or any other appliance.

An LP-cylinder not connected for use should not be stored in vicinity of this or any other appliance.

# TABLE OF CONTENTS

Important Safety Information	3
Propane (LP) Dangers and Warnings	5
Hose & Regulator Assembly and Replacement	7
Parts List	8
Assembly Instructions	9
Lighting Instructions	14
Care and Cleaning	15
Gas Component Checks	16
Troubleshooting	18
Warranty	21

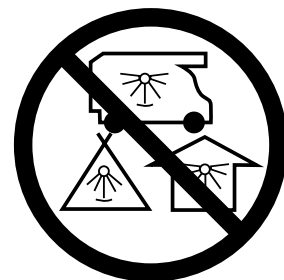


## **CARBON MONOXIDE HAZARD**

This appliance can produce carbon monoxide which has no odor.

Using it in an enclosed space can kill you.

Never use this appliance in an enclosed space such as a camper, tent, car or home.



## **SPECIFICATIONS**

**Product Name**

Treviso LP Fire Pit

**Type of Gas**

Propane (LP)

**Model No.**

C11838 LP

**Gas Supply**

20 lb LP-Gas Cylinder

**Rated Heat Output**

40,000 btu/hr

# IMPORTANT SAFETY INFORMATION



**WARNING** FIRE PIT IS FOR OUTDOOR USE ONLY

## IF YOU SMELL GAS

- Shut off gas supply to the fire pit.
- Extinguish any open flame.
- Do not try lighting any appliance.
- Do not touch any electrical switch; do not use any phone in your building.
- Immediately call your gas supplier from a neighbor's phone.
- Follow the gas supplier's instructions.
- If you cannot reach your gas supplier, call the fire department.

- **WARNING** Failure to follow the dangers, warning and cautions in this manual may result in serious bodily injury or death, or in a fire or an explosion causing damage to property.
- **IMPORTANT NOTICE** Read and understand all warnings and precautions prior to assembly and use of your gas fire pit. Improper installation, adjustment, alteration, service or maintenance can cause injury or property damage.
- **Note** The use and installation of this product must conform to local codes. In the absence of local codes, use the National Fuel Gas Code, ANSI Z21.97. Reference to Natural Gas and Propane Installation code CSA B149.1 or Propane Storage and Handling code B149.2.
- **Minimum Clearance from Unit to Combustible Materials**
- 72”(182.9cm) from the top; 48” (121.9 cm) from all sides and back. Do not locate this fire pit under any overhead enclosure.
- This gas fire pit and its individual shutoff valve must be disconnected from the gas supply piping system during any pressure testing of that system at test pressures in excess of 1/2 of psi (3.5 kPa). The appliance must be isolated from the gas supply piping system by closing its individual manual shutoff valve during any pressure testing of the gas supply piping system at test pressures equal to or less than 1/2 psi (3.5 kPa).
- Keep these instructions for future reference. If you are assembling this unit for someone else, give this manual to him or her to read and keep for future reference.
- This gas fire pit must be used **ONLY** outdoors in a well-ventilated space and shall **NOT** be used inside a building, garage, or any other enclosed area.
- **DO NOT** use this outdoor gas fire pit for indoor heating. **TOXIC** carbon monoxide fumes can accumulate and cause asphyxiation.
- **NEVER LEAVE** this gas fire pit unattended when in use.
- Children should be alerted to the hazards of high surface temperatures and kept at a safe distance while your fire pit is in use .
- Do not store or use gasoline or other flammable vapors and liquids within 25 feet (7.62m) of this or any other appliance.
- Do not store any combustible materials in the base enclosure.
- The use of alcohol, prescription or non-prescription drugs may impair an individual's ability to properly assemble or safely operate this outdoor fire pit.

## IMPORTANT SAFETY INFORMATION (continued)

- DO NOT use in an explosive atmosphere. Keep gas fire pit area clear and free from combustible materials, gasoline and other flammable vapors and liquids.
- This outdoor fire pit is NOT to be operated by children. Young children should be closely supervised when in the vicinity of this outdoor fire pit.
- This outdoor fire pit is not to be installed or used in or on recreation vehicles and/or boats.
- Always use in accordance with all applicable local, state and national codes. Contact your local fire department for details on outdoor burning.
- Use the same precautions you would with any open fire when using this outdoor fire pit.
- DO NOT burn solid fuels such as: wood, charcoal briquettes, lump charcoal, manufactured logs, driftwood, trash, leaves, paper, cardboard, plywood, painted or stained or pressure treated wood in this outdoor fire pit.
- DO NOT use this outdoor fire pit until it is COMPLETELY assembled and all parts are securely fastened and tightened.
- DO NOT store another LP gas tank within 10 feet (3.05 m) of this outdoor fire pit while it is in operation.
- DO NOT use this outdoor fire pit near automobiles, trucks, vans or recreational vehicles.
- DO NOT use this outdoor fire pit under any overhead structure or near any unprotected combustible constructions. Avoid using near or under overhanging trees and shrubs.
- Always use this outdoor fire pit on a hard, level non-combustible surface such a concrete, rock or stone. An asphalt or blacktop surface may not be acceptable for this purpose.
- DO NOT use this outdoor fire pit if any part has been under water. Immediately call a qualified service technician to inspect the fire pit and to replace any part or control system and any gas control which has been under water.
- DO NOT wear flammable or loose clothing when operating this outdoor fire pit.
- DO NOT use in windy conditions.
- Keep all electrical cords away from a hot outdoor fire pit.
- Certain areas of this outdoor fire pit when in use will become too hot to touch. Do not touch hot surfaces until the unit has cooled unless you are wearing protective gear such as insulated pot holders or heat resistant gloves or mittens to avoid burns.
- DO NOT hang or place clothing or other flammable materials on or near the gas fire pit.
- Any guard or other protective device removed for servicing the fire pit must be replaced prior to operating the fire pit.
- DO NOT attempt to move or store this outdoor fire pit until all parts are cool.
- DO NOT lean over this outdoor fire pit when lighting or when in use.
- Use only the regulator and hose assembly provided. The replacement regulator and hose assembly shall be that specified by the manufacturer.
- DO NOT attempt to disconnect the gas regulator from the tank or any gas fitting while the outdoor fire pit is in use.
- Always shut off gas supply at the tank valve and disconnect regulator from the tank when the fire pit is not in use
- DO NOT sit on the fire pit when the unit is in operation.
- DO NOT throw anything onto the fire when the unit is in operation.
- Lava rocks are very hot; please keep the children or pets away at a safe distance.
- It is essential to keep the outdoor fire pit valve compartment, burners, and circulating air passages clean. Inspect outdoor fire pit before each use.
- Prior to each fire pit operation, check the hose for evidence of excessive abrasion or wear by looking through the visual check hole. If the hose is damaged, cracked or cut, it must be replaced before using the gas fire pit. The hose assembly can only be replaced with a hose assembly specified by the manufacturer. Please call Real Flame at 1-800-654-1704.



## IMPORTANT SAFETY INFORMATION (continued)

- Before each use, remove the lava rocks. Examine the burner and its components. If dirty, clean with a soft brush and soapy water solution. Examine the area around the burner; any dirt or foreign material, such as spider webs or nests in this area should be removed. If it is evident that the burner is damaged, the fire table must not be used. The burner assembly cannot be replaced. Please contact Real Flame at 1-800-654-1704 for technical support.
- Place the hose out of the pathways where people may trip over it. Do not place the hose in areas where it may be subjected to accidental damage.

### **⚠ WARNING**

This fire table is for use with liquefied petroleum (LP) gas only. The conversion to Natural Gas (NG) must be done with the approved Real Flame conversion kit and must be done by a gas professional. Failure to do so may result in property damage, injury, or death.

ATTENTION: Any alteration of the outdoor fire pit that is not specifically directed in the operations manual will void manufacturer warranty.

## PROPANE (LP) DANGERS AND WARNINGS

### LP GAS

LP gas is flammable and hazardous if handled improperly. Become aware of the characteristics before using any LP gas product.

#### Propane Characteristics

- Flammable, explosive under pressure, heavier than air and settles in pools in low areas.
- In its natural state, propane has no odor. For your safety, an odorant has been added.
- Contact with propane could burn your skin.
- Propane is extremely flammable and hazardous if handled improperly.

#### LP GAS WARNINGS

- Cylinders must be stored outdoors in a well-ventilated area out of reach of children.
- Disconnected cylinders must have threaded valve plugs tightly installed and must not be stored in a building, garage or any other enclosed area.
- Never use a propane cylinder with a damaged body, valve, collar or footing.
- Dented or rusted propane cylinders may be hazardous and should be checked by your propane gas supplier.
- Be sure to use only one 20 lb (9.1 kg) LP gas cylinder with a Type 1 valve with this appliance as required by the American National Standards Institute (ANSI) and the Canadian Standards Steering Committee.
- Only tanks marked "propane" may be used.
- The LP gas supply tank must be constructed and marked in accordance with the Specifications for LP gas LP gas tanks of the U.S. Department of Transportation (DOT) or the National Standard of Canada, CAN/CSA-B339, LP gas tanks, Spheres and Tubes for the Transportation of Dangerous Goods; and Commission.
- LP gas tank must be arranged for vapor withdrawal.
- The LP gas tank must have a listed overfilling prevention device (OPD) and a QCCI or Type I (CGA810) LP gas tank connection.

# PROPANE (LP) DANGERS AND WARNINGS

- The LP gas tank must have a tank collar to protect the tank valve.
- LP gas cylinder must contain a shut-off valve as specified in the Standard for Compressed Gas Cylinder Valve Outlet and Inlet Connection, ANSI/CGA-V-1-1977, CSA B96.
- The LP gas tank should not be dropped or handled roughly.
- Tanks must be stored outdoors out of the reach of children. Do NOT store in a building, garage, or any other enclosed area.
- Never store your LP gas tank where temperatures can reach over 125°F.
- Do not store the LP gas cylinder in direct sunlight or near a source of heat or combustion.
- Never keep a filled LP gas tank in a hot car or car trunk. Heat will cause the gas pressure to increase, which may open the relief valve and allow gas to escape.
- Place dust cap on valve outlet whenever the LP gas tank is not in use. Only install the type of dust cap on the LP gas tank valve outlet that is provided with the LP gas tank valve. Other types of caps or plugs may result in leakage of propane.
  - a. Do not store a spare LP gas cylinder under or near this appliance.
  - b. Never fill the LP gas cylinder beyond 80% full.
  - c. If the information in (a) and (b) is not followed exactly, a fire causing death or serious injury may occur.
- LP gas cylinders should be filled only by a certified LP gas dealer.
- The pressure regulator is set for 11 inches of water column (pressure).
- The maximum inlet gas pressure for this outdoor fire table is 14 inches of water column pressure.
- Never attempt to attach this appliance to the self-contained LP gas system of a camper trailer, motor home or house.
- Always use the pressure regulator and hose assembly provided with the appliance to connect to a LP gas cylinder. Never connect to an unregulated LP gas supply. For technical support contact Real Flame at 1-800-654-1704.
- Hand turn the manual gas control valve. Never use tools. If the valve will not turn by hand, do not try to repair it. Call a Certified Gas Technician. The use of force or any self attempted repair may result in a fire or explosion.

## **Connecting your gas cylinder**

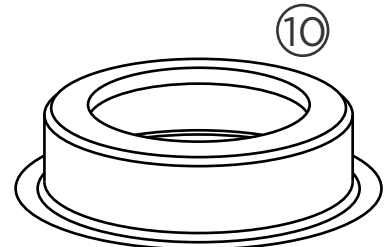
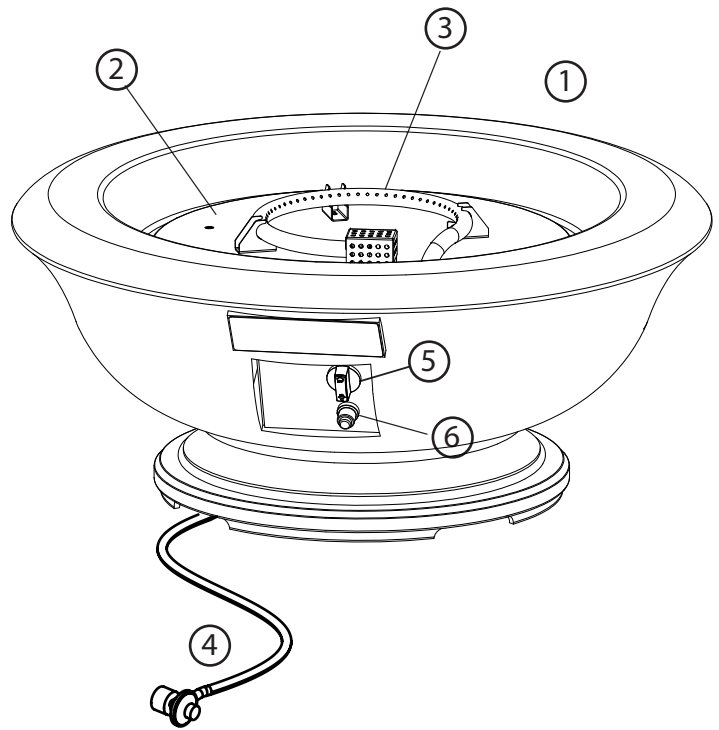
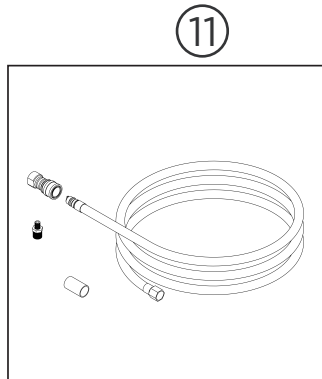
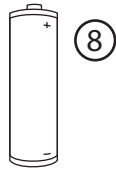
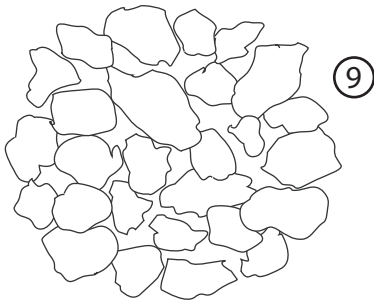
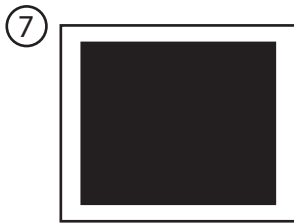
Before connection, be sure that there is no debris caught in the head of the gas cylinder, head of the regulator valve or in the head of the burner and burner ports. Connect regulator valve and hand-tighten firmly. Disconnect the propane cylinder from the regulator valve when the fire table is not in use. DO NOT obstruct the flow of combustion air and ventilation air to the burner.

# HOSE & REGULATOR ASSEMBLY AND REPLACEMENT

- 1.** This firepit comes equipped with a standard LP gas hose and regulator including the appliance side connection for a CGA No 791 Cylinder Connection Device. The LP gas hose and regulator supplied with this fire table must be used. Only a hose and regulator specified by manufacturer can be used for replacement.
  - a.** The CGA No 791 connection incorporates a magnetic flow limiting device that acts to limit the flow of gas if a leak is detected between the regulator and the burner valve.
  - b.** If the burner valve is open prior to the LP gas cylinder service valve being opened, the connection will interpret this free flow of gas to be a leak.
  - c.** The connection safety feature will reduce gas flow from the regulator to the appliance to a minimal level.
  - d.** Be sure that the burner control valve is closed prior to opening the LP gas cylinder service valve to ensure that the connection flow limiting device is not triggered mistakenly.
  - e.** If the connection flow limiting device is triggered mistakenly, close the LP gas cylinder service valve and the burner valve, wait 10 seconds to allow the device to reset, open the cylinder service valve, then open the burner valve and light the fireplace as per lighting instructions.
- 2.** Be sure to protect the hose from any hot surfaces. Serious danger may result if the hose contacts any hot surface.
- 3.** Regular maintenance of the hose and regulator:
  - a.** Inspect the hose before each use of the fire pit. If the hose shows signs of cracks, abrasions, cuts or damage of any kind, do not operate the appliance. Fix or replace the hose as required before using the appliance. For assistance with repair or replacement of the hose, call Real Flame at 1-800-654-1704. Use only replacement parts from the manufacturer.
  - b.** Inspect the seal inside the CGA No 791 service valve on the LP gas cylinder when replacing the cylinder or at least once per year. If there is any indication of damage, have the seal replaced by a certified gas dealer before operating the appliance.
- 4.** Do not use tools to tighten the CGA No 791 connection nut onto the LP gas cylinder service valve. Hand tighten only.
- 5.** Be careful to not cross the threads on the connection when tightening the CGA No 791 connection on to the LP gas cylinder service valve.
- 6.** “Leak Test” should always be performed after attaching the connection to the LP gas cylinder service valve. (See “Checking for Leaks” section of this manual on page 10)
- 7.** For the connection of the hose and regulator to the LP tank, refer to the “Connection” section of the LP gas cylinder section above.

# PARTS LIST

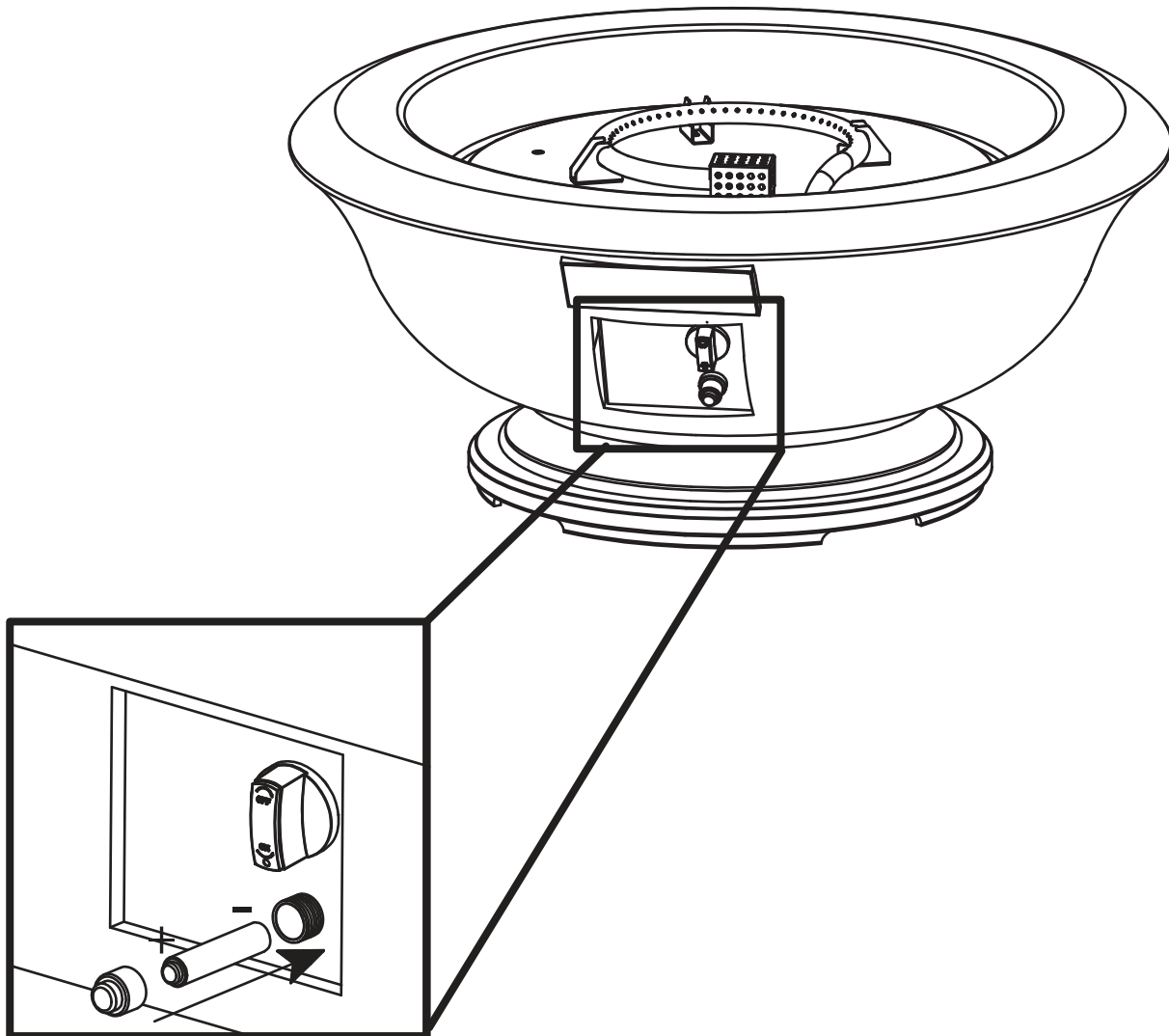
①	Fire Pit	N/A	1
②	Burn Plate	118380002	1
③	Burner	100140003	1
④	LP Hose and Regulator	05600007	1
⑤	Control Knob	10040U000	1
⑥	Igniter Button	05600013	1
⑦	Protective Cover	118380007	1
⑧	AAA Battery	N/A	1
⑨	Lava Rock	05603408	4Box
⑩	Tank Seat	05600005	1
⑪	Conversion Kit	00023103	1



# ASSEMBLY INSTRUCTIONS

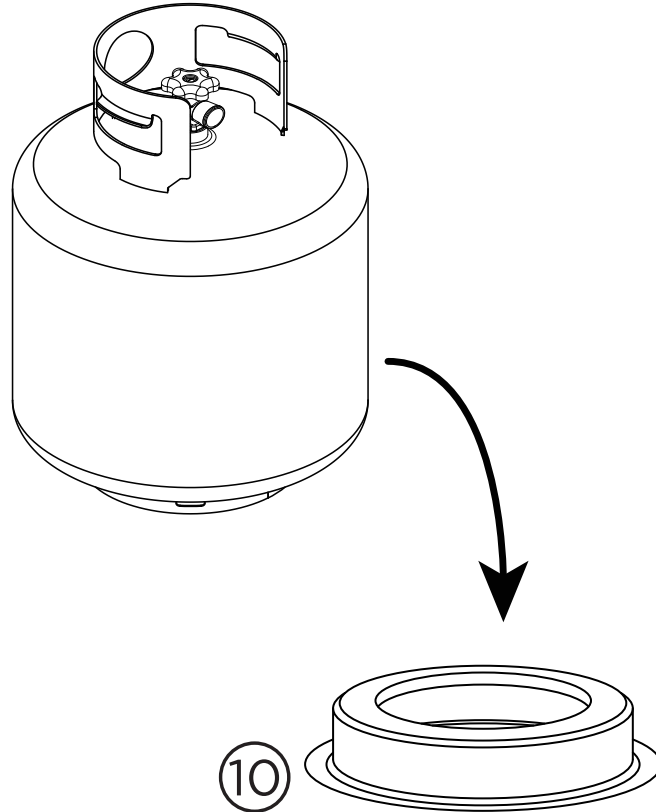
Install the AAA battery as shown in the diagram below.

1

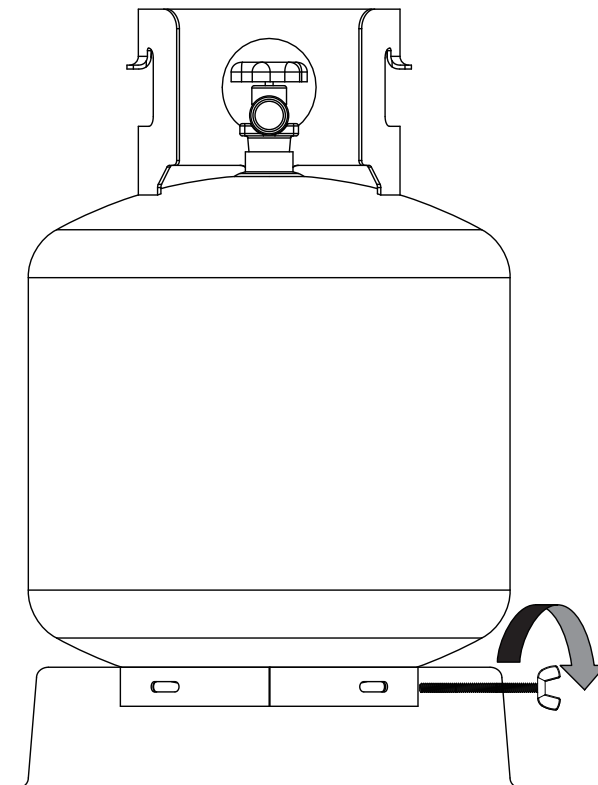


# 2

1. Place the tank seat on the ground and place a 20 lb. propane tank into the tank seat.



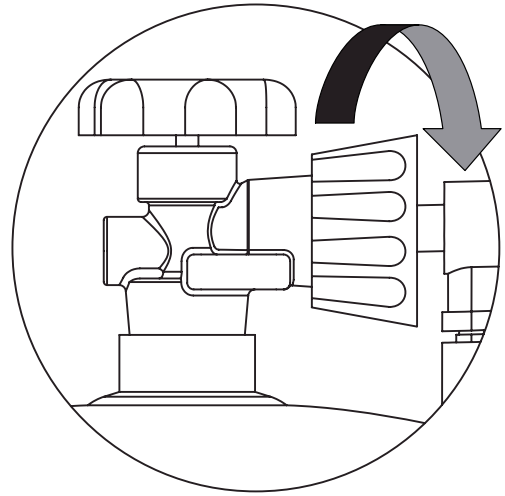
2. Tighten down the screw on the side of the tank seat to secure the propane tank.



## Connecting the LP Gas Tank

Check to make sure there is no debris in the head of the LP gas tank or in the head of the regulator valve. Make sure you check the burner and burner ports as well.

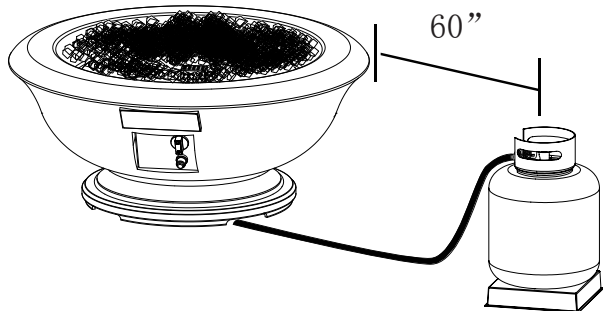
Connect gas line to tank by turning knob clockwise. Hand tighten only.



## WARNING

Place the LP tank 60" away from the fire pit.

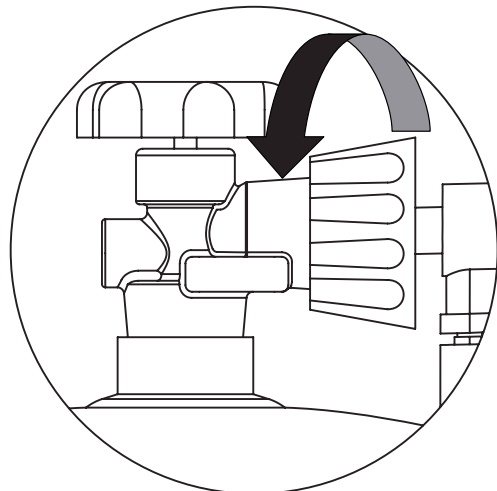
Watch your step while moving between the tank and the fire pit. The hose creates a tripping hazard.



## Disconnecting the LP Gas Tank

Make sure the valve on the LP gas tank is OFF.

Disconnect by turning the knob counter clockwise until it is detached from the valve.

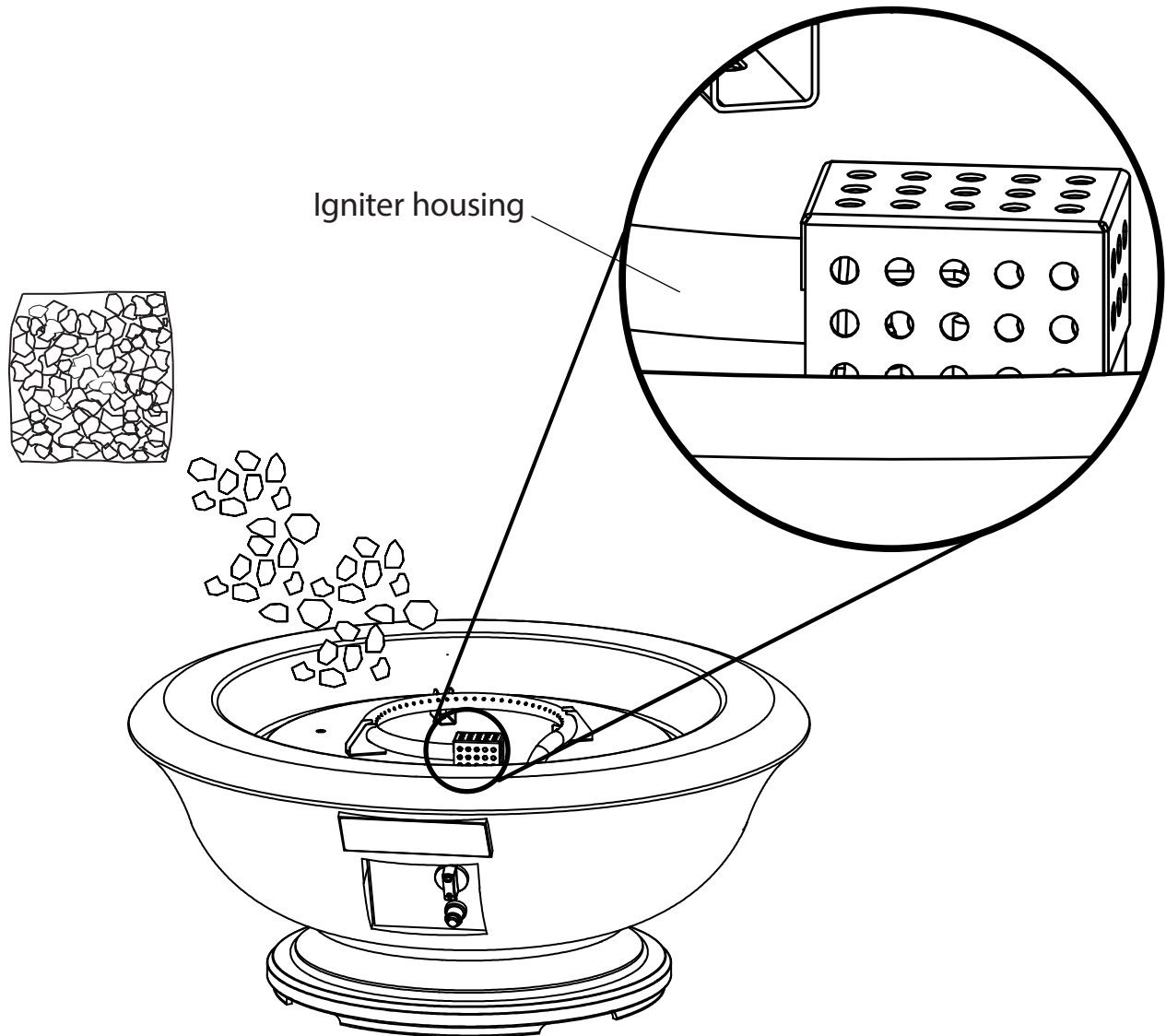




# ASSEMBLY INSTRUCTIONS

## 5

Place lava rocks by hand. DO NOT dump bag out into tray to avoid clogging the burner with dust . Position the fire glass to a level about 1" above the top of the burner. Make sure that you do not block the igniter housing with lava rock to ensure proper ignition.



# PRE-USE INSTRUCTIONS

**⚠ WARNING** Before using this outdoor fire pit, make sure you have read, understand and are following all information provided in the important Safety Information section of this manual. Failure to follow those instructions can cause death, serious injury or property damage.

Prior to each gas fire pit operation, check the hose and valve for evidence of excessive abrasion or wear.

## BURNER CONNECTIONS

Make sure the regulator valve and hose connections are securely fastened to the burner and the tank. If your unit was assembled for you, visually check the connection between the burner pipe and orifice. Make sure the burner pipe fits over the orifice.

**⚠ Warning:** Failure to inspect this connection or follow these instructions could cause a fire or an explosion, which can cause death, serious bodily injury, or damage to property.

Please refer to diagram for proper installation.

If the burner pipe does not rest flush to the orifice please contact Real Flame at 1-800-654-1704 for assistance.

## CHECKING FOR LEAKS

Make a leak check solution by mixing 1 part dishwashing soap with 3 parts water in a spray bottle.

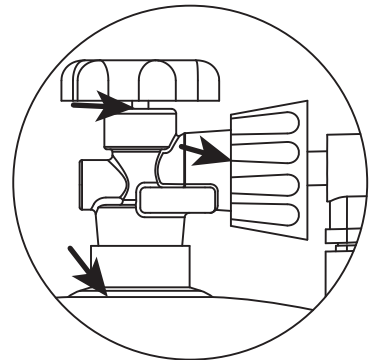
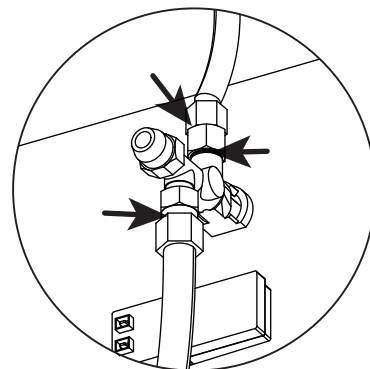
Make sure control knob is "OFF." Then, turn LP gas tank to "ON" at valve.

Spray leak solution on valve connections paying particular attention to the areas indicated by arrows.

If any bubbles appear turn LP gas tank OFF, reconnect and re-test. If you continue to see bubbles after several attempts, disconnect LP gas source and contact Real Flame at 1-800-654-1704 for assistance.

If no bubbles appear after one minute turn tank OFF, wipe away solution and proceed.

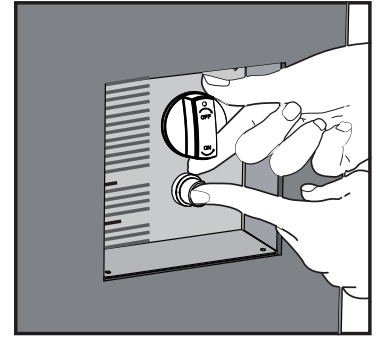
Check for leaks at these locations



# LIGHTING INSTRUCTIONS

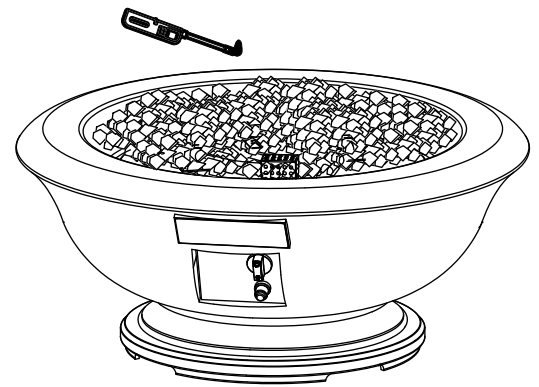
## Using the Igniter

1. Read and understand all operating instructions before lighting. Ensure that all protective film has been removed from stainless burn tray prior to lighting.
2. Burner control knob must be in the OFF position.
3. Connect propane (LP) cylinder (see previous pages).
4. Slowly open valve on LP gas cylinder.
5. Push and hold igniter button to create sparks.
6. While holding the igniter button with one hand, use your other hand to push and turn the control knob to the LIGHT position to light the burner.
7. Keep Burner Control Knob pressed in for 15-30 seconds after ignition.
8. If ignition does not occur in 30 seconds, turn control knob to the OFF position and turn gas off at the source, wait 5 minutes until gas has cleared and repeat lighting procedure.
9. After lighting, rotate the Burner Control Knob counter clockwise to LOW setting. Observe flame, make sure all burner ports are lit. Flame height should be no higher than 13 inches tall.
10. Adjust the flame to the desired height with the control knob.



## Using a Long Match or Lighter

1. Prior to lighting, use a shovel to move filler for access to the burner.
2. Wearing heat resistant gloves, position the burning long match or burning butane lighter near the side of the burner. DO NOT lean over the fire pit while lighting!
3. Turn control knob counterclockwise to LIGHT.
4. Remove long match/long butane lighter.
5. After lighting, use a shovel and heat resistant gloves to carefully move the filler back into the proper position.
6. After lighting, rotate the Burner Control Knob counter clockwise to LOW setting. Observe flame, make sure all burner ports are lit. Flame height should be no higher than 13 inches tall.
7. Adjust the flame to the desired height with the control knob.



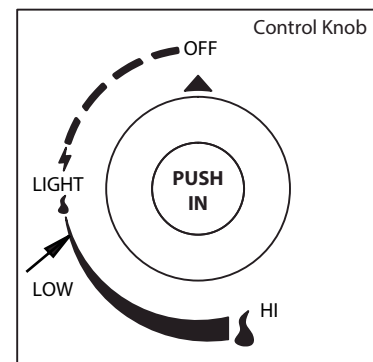
### **WARNING**

If burner flame goes out during operation, immediately turn the control knob OFF and let the gas clear a minimum of 5 minutes before attempting to re-light the fire table.

**Please refer to the trouble shooting pages for additional support, beginning on page 18.**

### **WARNING**

When using this method to light your fire pit use heat resistant gloves and follow the step by step instructions. Failure to do so could result in severe injury.




# CARE AND CLEANING

## Inspecting

This outdoor fire pit must be inspected regularly to insure that the product is safe to use and to extend product life.

 **WARNING** DO NOT inspect this outdoor fire pit until the fire is COMPLETELY out.

1. Check the burner to make sure it is securely in place.
2. Check the Venturi tube to make sure it is clear and free of insects, spider nests and other debris.
3. Check all gas connections for leaks.
4. Check ignition system to insure proper sparking.
5. Check components for any signs of damage, rust or excessive wear.
6. If damage to any component is detected, DO NOT operate until the proper repairs have been made.

 **WARNING** DO NOT tamper with this appliance. This is DANGEROUS and will void the warranty. Any part found to be faulty must be replaced with an approved part, confirmed by manufacturer. For technical support contact Real Flame at: 1-800-654-1704.

## General Care and Cleaning

This outdoor fire pit should be cleaned regularly to ensure safe use and extend product life.

Note: After repeated use, a slight discoloration of the finishes may occur.

### Table


1. Wipe exterior surfaces with a mild dish washing soap or baking soda, then rinse clean with water.

### Stainless Steel

1. For general cleaning use warm water, soap, ammonia, or detergent apply with a soft cloth or sponge.
2. For finger prints or smears use 3M Stainless Steel Cleaner and Polish, Arcal 20, Lac-O-Nu, LuminWash, O’Cedar Cream Polish, or Stainless Shine, this will provide a barrier file to minimize fingerprints.\*
3. For stubborn stains and discoloration use 3M Stainless Steel Cleaner and Polish, Allchem Concentrated Cleaner, Samae, Twinkle, Cameo Copper Cleaner, Liquid Nu Steel, Copper’s or Revere Stainless Steel Cleaner, apply using a soft cloth in the same direction of the polish lines.\*

\* Use of proprietary names is intended only to indicate a type of cleaner and does not constitute endorsement. Omission of any proprietary cleanser does not imply its inadequacy. All products should be used in strict accordance with instructions on package.

### Storage

 **WARNING** DO NOT move or store this fire pit unless the fire is COMPLETELY out and cool to the touch.

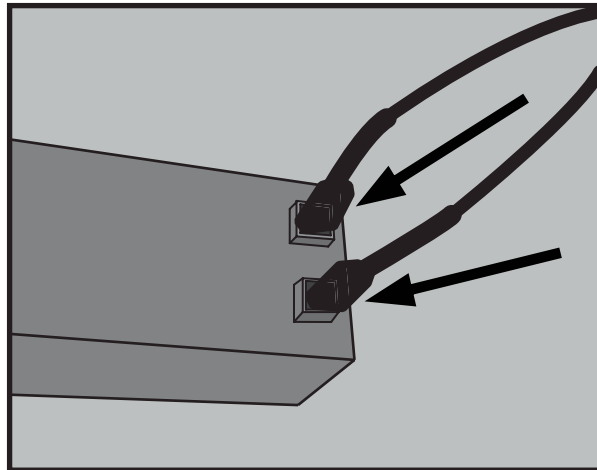
1. Turn gas OFF at tank connection. Remove tank and store in a cool, dry location outdoors, away from children.
2. Carefully remove lava rock filler and store components flat to protect them from breakage.
3. Store in a cool, dry location away from children and pets.

# GAS COMPONENT CONNECTION CHECKS

If the burner will not light or stay lit, please perform the following checks.

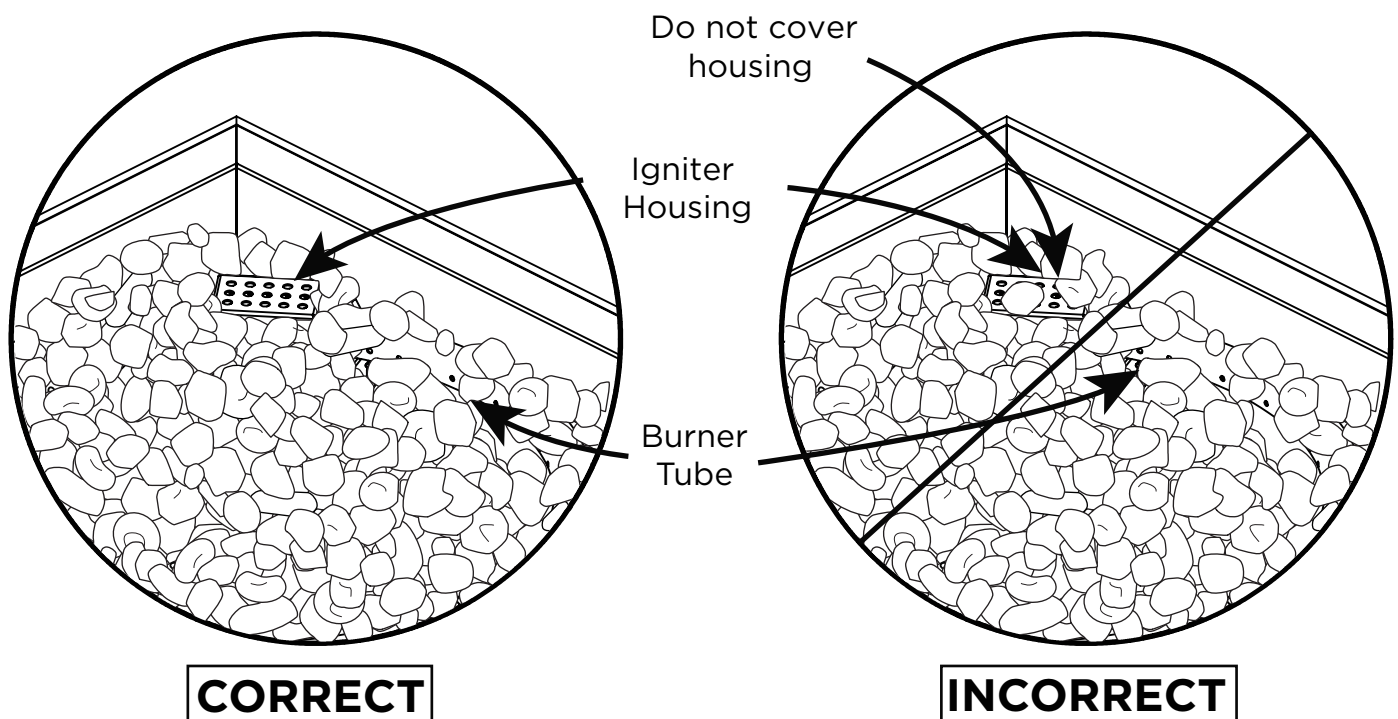
1. Make sure the electrode wire is correctly connected.

Both electrode wires must be fully inserted into the electronic ignition.

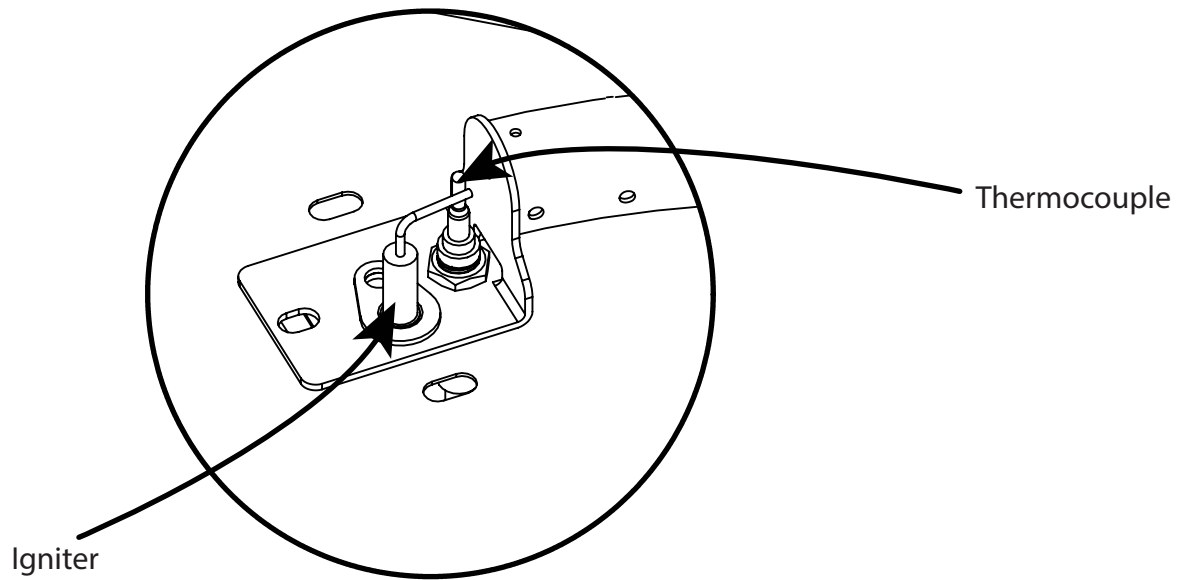


2. Make sure that the igniter housing is unobstructed.

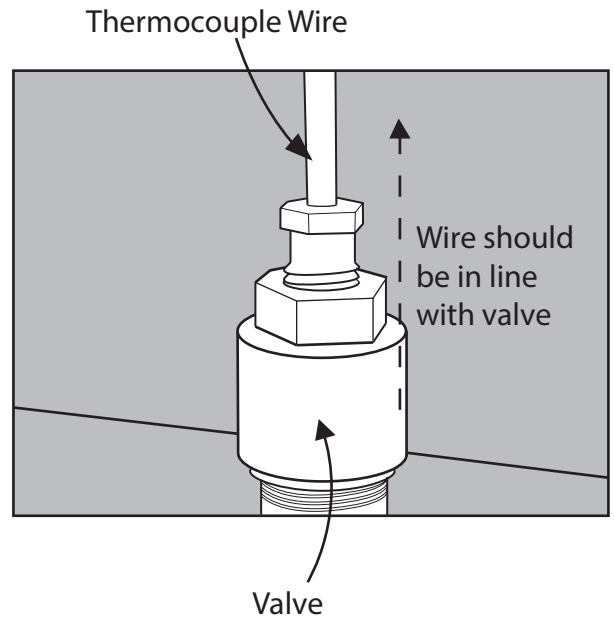
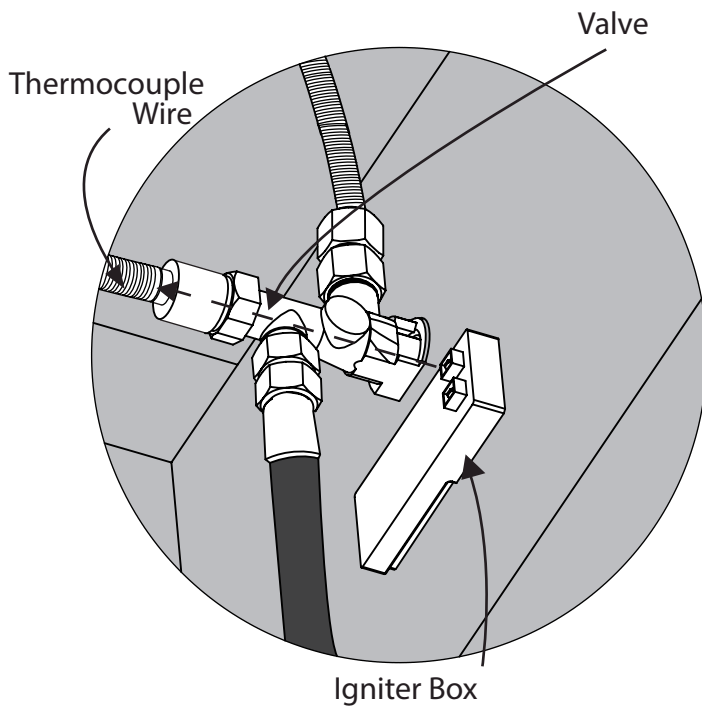
Clear any debris on top of the igniter housing and make sure there is no debris between the igniter pin, thermocouple and the burner tube.



# GAS COMPONENT CONNECTION CHECKS



3. Make sure that the igniter pin and thermocouple are correctly positioned.
- The igniter pin should be pointed straight to the thermocouple.
  - The thermocouple should be positioned 5mm away from the burner tube.



4. Make sure that the thermocouple wire is correctly positioned. The thermocouple wire should be in line with the valve.

# TROUBLESHOOTING

## Problem: Burner will not light using igniter

**Possible Cause 1: Electrode and burners are wet.**

-Wipe dry with cloth.

**Possible Cause 2: Igniter battery is dead or backwards.**

-Check that the AAA battery is inserted correctly in the igniter (see page 9) or replace the battery.

**Possible Cause 3: Igniter Pin cracked or broken - sparks at crack.**

-Call Real Flame at 1-800-654-1704 for technical support.

**Possible Cause 4: Wire loose or disconnected.**

-Reference page 16, step 1, reconnect wire. Call Real Flame at 1-800-654-1704.

**Possible Cause 5: Wire is shorting (sparking) between igniter and electrode.**

-Call Real Flame at 1-800-654-1704 for support.

**Possible Cause 6: Igniter Pin not pointing at thermocouple.**

-Reference page 16, turn electrode to point at the thermocouple.

**Possible Cause 7: Bad Igniter.**

-Call Real Flame at 1-800-654-1704 for support.

## Problem: Burner will not light with match

**Possible Cause 1: No Gas Flow.**

-Check if the LP gas tank is empty. If empty, replace and refill. If the propane tank is not empty, refer to "Problem: Sudden drop in gas flow" on the following page.

**Possible Cause 2: Coupling nut and regulator not fully connected.**

-Turn the coupling nut about one half to three fourths a turn, until you feel a solid stop. Do not use tools, tighten by hand only.

**Possible Cause 3: Obstruction of gas flow.**

- Check for bent or kinked hose.

**Possible Cause 4: Spider webs or insect nest in the Venturi.**

- Clean the Venturi.

**Possible Cause 5: Burner ports clogged or blocked.**

-Reference "Problem: Irregular flame pattern" on the following page. Clean the burner ports as described there.

## Problem: The Fire Pit emits a lot of black smoke when in use

**Possible Cause 1: Hose from gas fire pit is pinched.**

-Make sure the hose is not pinched between the fire table and the source of the gas.

**Possible Cause 2: Flame is being obstructed at burner ports.**

-Make sure that the gas ports on the burner are free of any filler so that the flame can flow naturally.



# TROUBLESHOOTING

## Problem: Sudden drop in gas flow, or a reduced flame height

### Possible Cause 1: Out of gas.

-Call your local gas company.

### Possible Cause 2: Excess flow safety device may have been activated.

-Turn control knob to "OFF", wait 30 seconds and light outdoor fireplace. If flames are still too low reset the excessive flow safety device by turning off the control knob and LP gas tank valve. Disconnect regulator. Turn burner control knob to "HIGH". Wait 1 minute. Turn burner control knob off. Reconnect regulator and perform a leak check at tank connection. Turn LP gas tank valve on slowly, wait 30 seconds and then light outdoor fire pit.

## Problem: Irregular flame pattern, flame does not run the full length of the burner

### Possible Cause: Burner ports are clogged or blocked.

-Clean burner ports. Do this by inserting a paperclip into each of the burner ports to ensure they are not clogged. WARNING: Make sure burner is not on and the gas supply has been properly disconnected. Allow 15 minutes for unit to cool before touching it.

## Problem: Flame blow out

### Possible Cause 1: High or gusting winds.

-Increase flame to "HIGH" setting.

### Possible Cause 2: Low on LP gas.

-Replace or refill LP gas tank.

### Possible Cause 3: Excess flow valve tripped.

-Refer to "Problem: Sudden drop in gas flow"

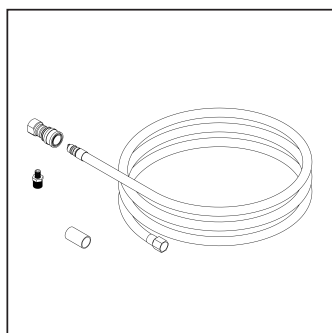
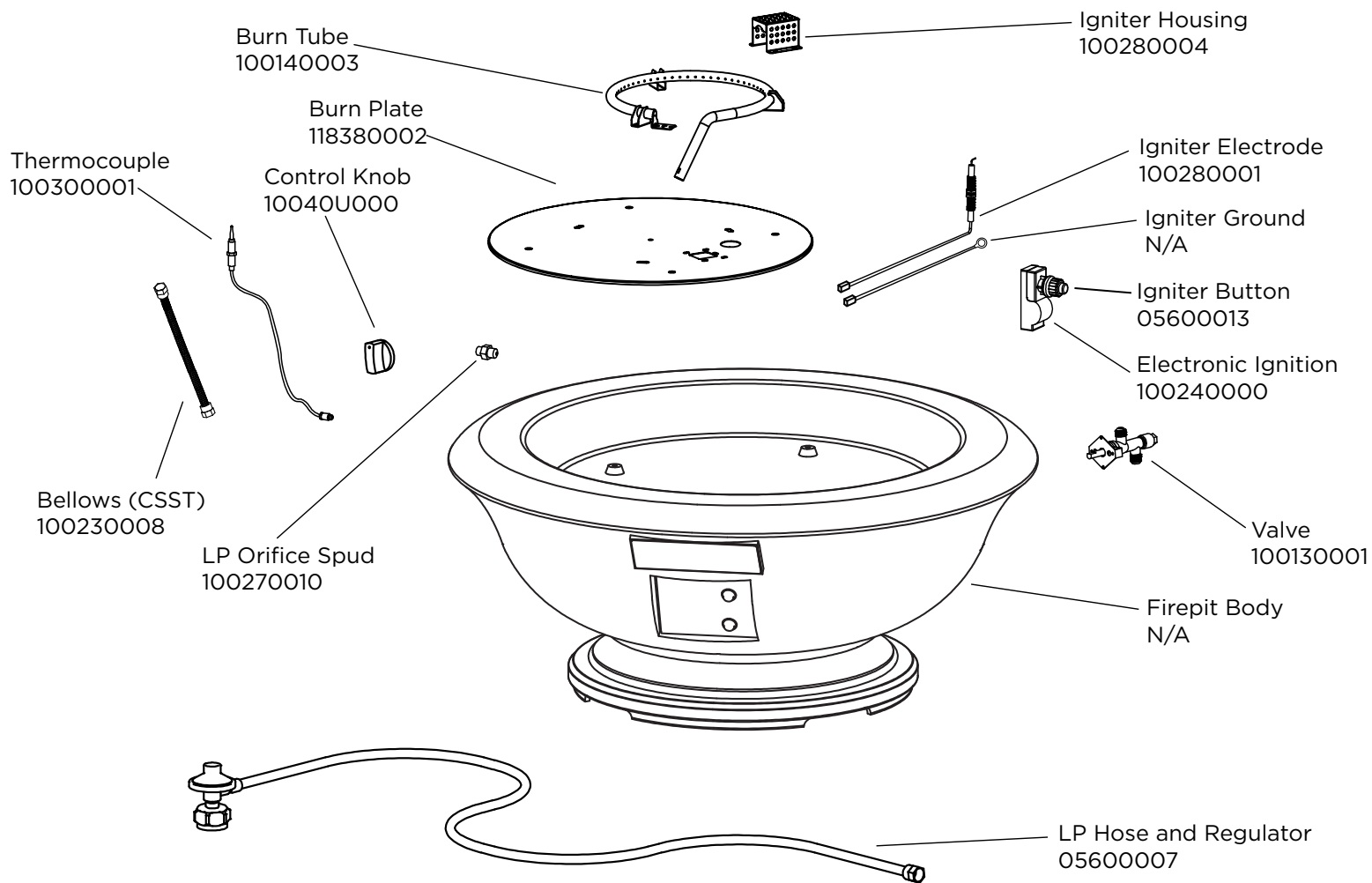
## Problem: Flame seems to lose heat when burning in cold weather - temperature below 50°F

### Possible Cause 1: Ice has built up on the outside of the LP gas tank because the vaporization process is too low.

-Turn the control knob and the LP gas tank to "OFF". Replace with a spare LP gas tank and resume burning. Store the spare LP gas tank in a well ventilated area, away from children.

If these troubleshooting steps are unable to resolve the problem, please call Real Flame at: 1-800-654-1704

# TECHNICAL PARTS LIST



Natural Gas Conversion Kit  
00023103

# Warranty & Return Policies

## **Warranty**

Real Flame® Company warrants Real Flame gas fireplaces and accessories to be free from defects in parts under normal use and service for a period of 1 year from the date of purchase and defective from finish issues for a period of 1 year from the date of purchase. In the event of such defects Real Flame will, at its option, replace the defective product or refund the purchase price. The foregoing is the exclusive remedy and Real Flame disclaims all other warranties, including any implied warranty of merchantability or fitness for a particular purpose. In addition, Real Flame will not be responsible for consequential damages in excess of the purchase price of the product on which such liability is based.

## **Return Policy**

You may return your purchase within 90 days of receipt. No refunds will be issued for incomplete or unauthorized returns. All returned products must be 100% complete, adequately packaged in original packaging and in resalable condition. Products that have been assembled or modified will not be eligible for return. All items must be returned in their entirety, meaning all items included must be returned together. No returns or exchanges on discontinued items. Please begin the return process by contacting the store or company where you bought your Real Flame item.

## **Replacement Parts**

In the event that an item has been lost or damaged, either by the manufacturer or in shipping, you may request a replacement. Replacement parts are not available for all units and only given at Real Flame's discretion. We will assess any damage and find a solution, which could include shipping you a replacement. No replacements are available for discontinued items or repackaged (open box) products. Please call Real Flame Customer Service at 800-654-1704 for replacement parts before returning the damaged item. Please have the following information (which can be found in your instruction manual) ready before you call Customer Service.

- Model Number of Item
- 4-8 digit Part Number
- Lot Code Number
- Shipping Address
- A picture of the damaged item may be requested. Pictures should be sent to [custserv@realflame.com](mailto:custserv@realflame.com)

## **Incorrect Order Received**

If you received something other than what you ordered, please contact Real Flame Customer Service at 800-654-1704 within 48 hours of receiving the item.

Please refer to [www.Realflame.com](http://www.Realflame.com) for our complete return guidelines and policies.

Real Flame®  
7800 Northwestern Ave.  
Racine, WI 53406

Customer Service: 1-800-654-1704 in USA  
Service à la clientèle: 1-800-363-6443 in Canada  
[custserv@realflame.com](mailto:custserv@realflame.com)



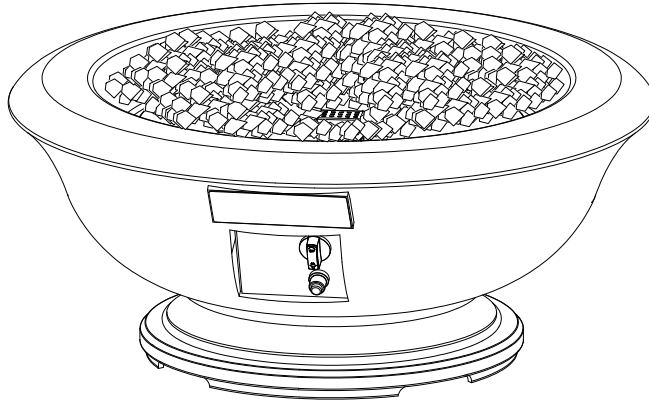
Lot: \_\_\_\_\_

P.O. \_\_\_\_\_



# realflame®

fireplaces



## C11838LP Treviso

### Manuel D'utilisation De La Table-foyer Autour

**! IMPORTANT**  
**CONSERVER CES**  
**INSTRUCTIONS**

**! AVERTISSEMENT**

Pour un usage extérieur exclusivement.  
 NE PAS utiliser pour la cuisson. NE PAS  
 utiliser sous une enceinte couverte.



**! AVERTISSEMENT**

La négligence à suivre scrupuleusement les instructions contenues dans ce manuel peut provoquer un incendie ou une explosion occasionnant des dommages à la propriété, des blessures sérieuses et même la mort.

L'installation et l'entretien doivent être faits par un installateur qualifié, une compagnie d'entretien ou un fournisseur de gaz.

Une installation, une mise au point, une modification ou un entretien inappropriés peuvent occasionner des blessures ou des dommages à la propriété.

Lire attentivement les instructions concernant l'installation, l'utilisation et l'entretien avant d'installer ou d'utiliser l'appareil.

Garder ces instructions pour une consultation future. Si vous assemblez cet appareil pour quelqu'un d'autre, lui donner le manuel pour lecture et consultation futures.

**! DANGER**

Si vous percevez une odeur de gaz :

1. Couper l'alimentation en gaz de l'appareil.
2. Éteindre toute flamme nue.
3. Si l'odeur persiste, vous éloigner de l'appareil et appeler immédiatement votre fournisseur de gaz ou le service des incendies.

**! AVERTISSEMENT**

Ne pas entreposer ou utiliser d'essence, de vapeurs ou liquides inflammables à proximité de cet appareil ou de tout autre appareil.

Une bouteille de gaz PL non connectée et non utilisée ne devrait pas être entreposée à proximité de cet appareil ou de tout autre appareil.

Pour le support technique S'il vous plaît nous contacter: 1-800-654-1704

# TABLE DES MATIÈRES

Instruction de sécurité importante	3
Avertissements et dangers du Propane (PL)	5
Remplacement et assemblage du boyau et du régulateur	7
Liste des pièces	8
Instructions pour l'assemblage	9
Instructions pour l'allumage	14
Soins et entretien	15
Vérifications entourant le gaz	16
Dépannage	18
Garantie	21



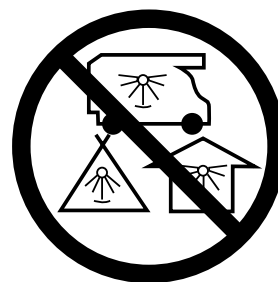
## DANGER

### DANGER DE MONOXYDE DE CARBONE

Cet appareil peut produire du monoxyde de carbone, lequel est toujours inodore.

Utiliser cet appareil dans un endroit fermé peut causer la mort.

Ne jamais utiliser cet appareil dans un espace fermé comme une fourgonnette de camping, une tente, une voiture ou à l'intérieur de la maison.



## CARACTÉRISTIQUES

### Nom du produit

Treviso Autour

### n° de modèle

C11838LP

### Puissance Calorifique Nominale

40,000 btu/hr

### Type de gaz

Propane (PL)

### Approvisionnement en Gaz

Réservoir de Propane Gaz 20 lbs

# INFORMACIÓN IMPORTANTE DE SEGURIDAD



**ADVERTENCIA** LA MESA DE FUEGO ES PARA USO EXTERIOR SOLAMENTE

- **ADVERTENCIA** El incumplimiento en observar los peligros, advertencias y precauciones en este manual puede producir lesiones corporales graves o la muerte, un incendio o una explosión que causen daños a la propiedad.
- **ADVERTENCIA** La instalación, ajuste, alteración, servicio o mantenimiento en forma incorrecta pueden causar lesiones o daños a la propiedad. Lea atentamente las instrucciones de instalación, operación y mantenimiento antes de instalar o reparar este equipo.
- **Distancia mínima de la unidad a materiales combustibles**  
48" (121.9 cm) de todos lados y parte trasera. No ubique la mesa de fuego debajo de ninguna estructura. No la coloque sobre ningún material combustible.

## SI SIENTE OLOR A GAS

- Cierre el suministro de gas a la mesa de fuego.
- Extinguir cualquier llama abierta.
- No intente encender ningún artefacto.
- No toque ningún interruptor eléctrico; No use ningún teléfono en su edificio.
- Llame inmediatamente a su proveedor de gas desde el teléfono de un vecino.
- Siga las instrucciones del proveedor de gas.
- Si no puede comunicarse con su proveedor de gas, llame al departamento de bomberos.
- Los niños y adultos deben ser alertados de los peligros de altas temperaturas de la superficie y mantenerse a una distancia segura mientras se usa la mesa de fuego.
- Esta mesa de fuego de exteriores NO debe ser operada por niños. Los niños pequeños deben ser supervisados de cerca cuando se encuentran en la proximidad de esta mesa de fuego de exteriores.
- No cuelgue ni coloque ropa u otros materiales inflamables sobre o cerca de la mesa de fuego.
- Antes de poner en funcionamiento el artefacto, deberá sustituirse cualquier protector o dispositivo de protección que haya sido retirado para el servicio del artefacto.
- La instalación y reparación deben ser realizadas por personal de servicio cualificado. El artefacto debe ser inspeccionado antes de usar y por lo menos una vez al año por una persona cualificada para ese servicio. Se puede requerir una limpieza más frecuente según sea necesario. Es imperativo que el compartimiento de control, los quemadores y conductos de aire circulante del artefacto se mantengan en buenas condiciones de limpieza.
- Guarde estas instrucciones para referencia futura. Si está montando esta unidad para otra persona, entréguele este manual para que lo lea y lo guarde como referencia futura.
- NO use esta mesa de fuego para cocinar.
- NO vierta agua en la mesa de fuego.
- NO use esta mesa de fuego de exteriores si alguna parte ha estado bajo el agua. Llame inmediatamente a un técnico de servicio cualificado para inspeccionar la mesa de fuego y reemplazar cualquier pieza o sistema de control y cualquier control de gas que haya estado bajo el agua.

# INFORMACIÓN IMPORTANTE DE SEGURIDAD (continuación)

- Esta mesa de fuego debe usarse SOLAMENTE al aire libre en un lugar bien ventilado y NO se debe usar dentro de un edificio, garaje o cualquier otra área cerrada.
- NO utilice esta mesa de fuego a gas para exteriores con fines de calefacción interior. Los gases TÓXICOS de monóxido de carbono pueden acumularse y causar asfixia.
- NUNCA DEJE esta mesa de fuego a gas sin vigilancia cuando esté en uso.
- No almacene ni utilice gasolina ni otros vapores o líquidos inflamables dentro de una distancia de 25 pies (7.62 m) de este o de cualquier otro artefacto.
- No almacene materiales combustibles en el compartimiento de la base.
- Nunca utilice una llama para verificar si existen fugas de gas.
- El uso de alcohol, medicamentos recetados o no recetados puede perjudicar la capacidad de un individuo para montar u operar adecuadamente con seguridad esta mesa de fuego de exteriores.
- NO usar en una atmósfera explosiva. Mantenga el área de la mesa de fuego a gas limpia y libre de materiales combustibles, gasolina u otros vapores y líquidos inflamables.
- Esta mesa de fuego de exteriores no se debe instalar o usar en o sobre vehículos recreativos y / o embarcaciones.
- Utilice siempre de acuerdo con todos los códigos locales, estatales y nacionales aplicables. Póngase en contacto con su departamento local de bomberos para obtener detalles sobre fuegos al aire libre.
- Utilice las mismas precauciones que usaría con cualquier fuego abierto al usar esta mesa de fuego de exteriores.
- NO queme combustibles sólidos tales como: madera, briquetas de carbón, carbón vegetal, troncos manufacturados, madera balsa, basura, hojas, papel, cartón, madera contrachapada, madera pintada o manchada o tratada a presión en esta mesa de fuego de exteriores.
- NO use esta mesa de fuego de exteriores hasta que esté COMPLETAMENTE ensamblada y todas las piezas estén firmemente sujetas y apretadas.
- NO almacene otro tanque de gas LP a una distancia menor de 10 pies (3,05 m) de esta mesa de fuego de exteriores mientras esté en funcionamiento.
- NO use esta mesa de fuego de exteriores cerca de automóviles, camiones, furgonetas o vehículos recreativos.
- NO use esta mesa de fuego de exteriores debajo de ninguna estructura o cerca de construcciones combustibles desprotegidas. Evite usar cerca o debajo de árboles y arbustos.
- Utilice siempre esta mesa de fuego de exteriores sobre una superficie dura y nivelada no combustible como por ejemplo hormigón, roca o piedra. Una superficie asfaltada puede no ser aceptable para este propósito.
- NO USE ropas sueltas o inflamables al operar esta mesa de fuego de exteriores.
- NO USE en condiciones de viento.
- Mantenga todos los cables eléctricos lejos de esta mesa de fuego de exteriores.
- Algunas áreas de esta mesa de fuego de exteriores se tornan demasiado calientes al tacto durante el uso. No toque las superficies calientes hasta que la unidad se haya enfriado, a menos que esté usando equipamiento de protección como por ejemplo soportes aislantes o guantes resistentes al calor para evitar quemaduras.
- NO intente mover ni guardar esta mesa de fuego de exteriores hasta que todas las partes estén frías.
- NO se incline sobre esta mesa de fuego de exteriores al encenderla o cuando esté en uso.
- Utilice únicamente el conjunto de regulador y manguera proporcionado. El regulador y montaje de manguera de reemplazo deberán ser los especificados por el fabricante.
- NO intente desconectar el regulador de gas del tanque o cualquier conexión de gas mientras la mesa de fuego de exteriores está en uso.
- Siempre cierre el suministro de gas en la válvula del tanque y desconecte el regulador del tanque cuando la mesa de fuego no esté en uso.
- NO se sienta en la mesa de fuego cuando la unidad esté en funcionamiento.
- NO arroje nada al fuego cuando la unidad esté en funcionamiento.
- Las rocas de lava y rellenos de vidrio se tornan muy calientes; por favor mantenga a los niños o las mascotas a una distancia segura.
- Es esencial mantener limpios el compartimiento de la válvula, los quemadores y los conductos de aire circulante de la mesa de fuego de exteriores. Inspeccione la mesa de fuego de exteriores antes de cada uso.



# INFORMACIÓN IMPORTANTE DE SEGURIDAD (continuación)

- Antes de cada operación de la mesa de fuego, compruebe que no haya evidencias de abrasión o desgaste excesivo en la manguera. Utilice un espejo de mano para ver las secciones de manguera ubicadas debajo de la unidad. Si la manguera está dañada, agrietada o cortada, debe ser reemplazada antes de usar la mesa de fuego. El conjunto de la manguera sólo puede ser reemplazado por un conjunto de manguera especificado por el fabricante. Llame a Real Flame al 1-800-654-1704.
- Antes de cada uso, examine el quemador y sus componentes. En caso de estar sucios, límpielos con un cepillo suave y una solución de agua jabonosa. Examine también el área alrededor del quemador. Cualquier suciedad o material extraño, como por ejemplo telas de araña o nidos debe ser removido. Si es evidente que el quemador está dañado, no debe utilizarse la mesa de fuego. El conjunto del quemador debe ser reemplazado. Comuníquese con Real Flame al 1-800-654-1704 para obtener soporte técnico.
- Para las mesas de fuego de tanque externo, coloque la manguera fuera del camino donde la gente pueda tropezar con ella. No coloque la manguera en áreas donde pueda sufrir daños accidentales.

## ADVERTENCIA

Esta mesa de fuego de exteriores debe ser utilizada sólo con gas licuado (LP). La conversión a gas natural (GN) debe hacerse con el kit de conversión de Real Flame aprobado y debe ser realizada por un profesional de gas. No hacerlo puede resultar en daños a la propiedad, lesiones o muerte.

**ATENCIÓN:** Cualquier alteración de la mesa de fuego de exteriores que no esté específicamente instruida en el manual de operaciones anulará la garantía del fabricante.

## PELIGROS Y ADVERTENCIAS DEL GAS PROPANO (LP)

### GAS LP

El gas LP es inflamable y peligroso si se maneja incorrectamente. Conozca sus características antes de usar cualquier producto de gas LP.

#### Características del gas propano

- Inflamable, explosivo bajo presión, más pesado que el aire, se asienta en piscinas y en áreas bajas.
- En su estado natural, el propano no tiene olor. Para su seguridad, se agrega una sustancia odorífera.
- El contacto con el propano podría quemar su piel.
- El gas propano es inflamable y peligroso si se maneja incorrectamente.

#### ADVERTENCIAS DE GAS LP

- Los cilindros deben almacenarse al aire libre en un área bien ventilada fuera del alcance de los niños.
- Los cilindros desconectados deben tener tapas protectoras instaladas y no deben almacenarse en un edificio, garaje o cualquier otra área cerrada.
- Nunca use un cilindro de propano con un cuerpo, válvula, collar o pie dañados.
- Los cilindros de propano dañados u oxidados pueden ser peligrosos y deben ser verificados por su proveedor de gas propano.
- Asegúrese de usar solamente un cilindro de gas LP de 20 lb (9,1 kg) con una válvula de Tipo 1 con este artefacto, según lo requerido por el Instituto Nacional de Estándares Americanos (ANSI) y el Comité Directivo Canadiense de Estándares.
- Sólo pueden utilizarse tanques marcados con la etiqueta: "propano".
- El tanque de suministro de gas LP debe estar construido y marcado de acuerdo con las especificaciones para tanques de gas LP del Departamento de Transporte de los Estados Unidos (DOT) o el Comité de Estándares de Canadá, CAN / CSA-B339, tanques, esferas y tubos de gas LP para el Transporte de Productos Peligrosos.
- El depósito de gas LP debe estar dispuesto para la extracción de vapor.

# PELIGROS Y ADVERTENCIAS DEL GAS PROPANO (LP) (continuación)

- El tanque de gas LP debe tener un dispositivo de prevención de sobrellenado (OPD) y una conexión de tanque de gas LP QCCI o Tipo I (CGA810).
- El depósito de gas LP debe tener un collar de tanque para proteger la válvula del mismo.
- El cilindro de gas LP debe contener una válvula de cierre como se especifica en la normativa ANSI / CGA-V-1-1977, CSA B96, Conexión de entrada y salida de válvula de cilindro de gas comprimido.
- El tanque de gas LP no debe caerse o manejarse bruscamente.
- Los tanques deben ser almacenados en el exterior fuera del alcance de los niños. NO almacenar en un edificio, garaje o cualquier otra área cerrada.
- Nunca guarde su tanque de gas LP donde las temperaturas pueden alcanzar los 125 °F.
- No guarde el cilindro de gas LP expuesto a la luz solar directa o cerca de una fuente de calor o combustión.
- Nunca guarde un tanque de gas LP lleno en un vehículo expuesto al calor o en el baúl del mismo. El calor hará que la presión del gas aumente, lo que puede abrir la válvula de alivio y permitir que el gas escape.
- Coloque la tapa anti polvo en la salida de la válvula siempre que el tanque de gas LP no esté en uso. Instale solamente el tipo de tapa anti polvo en la salida de la válvula del tanque de gas LP, que se suministra con la válvula del tanque de gas LP. Otros tipos de tapas o tapones pueden provocar fugas de propano.
  - a. No guarde un cilindro de gas LP de repuesto debajo o cerca de este artefacto.
  - b. Nunca llene el cilindro de gas LP más allá del 80%.
  - c. Si no se observa exactamente la información de los puntos (a) y (b) arriba, puede producirse un incendio que cause la muerte o lesiones graves.
- Los cilindros de gas LP deben ser llenados solamente por un representante autorizado de gas LP certificado.
- El regulador de presión está ajustado para 11 pulgadas de columna de agua (presión).
- La presión normal de entrada de gas de esta mesa de fuego de exteriores es de 11 pulgadas de presión de columna de agua.
- Nunca intente conectar este artefacto al sistema de gas LP autónomo de un remolque de campamento, casa o casa ambulante.
- Utilice siempre el regulador de presión y el conjunto de manguera suministrado con el artefacto para conectarlo a un cilindro de gas LP. Nunca conecte a un suministro de gas LP no regulado. Comuníquese con Real Flame al 1-800-654-1704 para obtener soporte técnico.
- Gire a mano la válvula de control de gas manual. Nunca utilice herramientas. Si la válvula no gira a mano, no intente repararla. Llame a un técnico de gas certificado. El uso de la fuerza o cualquier intento de reparación puede producir un incendio o explosión.
- Niños y adultos deben ser alertados en relación a los peligros de altas temperaturas superficiales y deben permanecer alejados para evitar quemaduras o que la ropa se encienda.
- Los niños pequeños deben ser vigilados cuidadosamente cuando están en la zona del artefacto.
- Ropa u otros materiales inflamables no deben colgarse del artefacto ni colocados en o cerca del mismo.
- Antes de poner en funcionamiento el artefacto, deberá sustituirse cualquier protector o dispositivo de protección que haya sido retirado del artefacto para su servicio.
- La instalación y reparación deben ser realizadas por personal de servicio cualificado. El artefacto debe ser inspeccionado antes de usar y por lo menos una vez al año por una persona cualificada para ese servicio. Se puede requerir una limpieza más frecuente según sea necesario. Es imperativo que el compartimiento de control, los quemadores y conductos de aire circulante del artefacto se mantengan en buenas condiciones de limpieza.

## Conexión del cilindro de gas

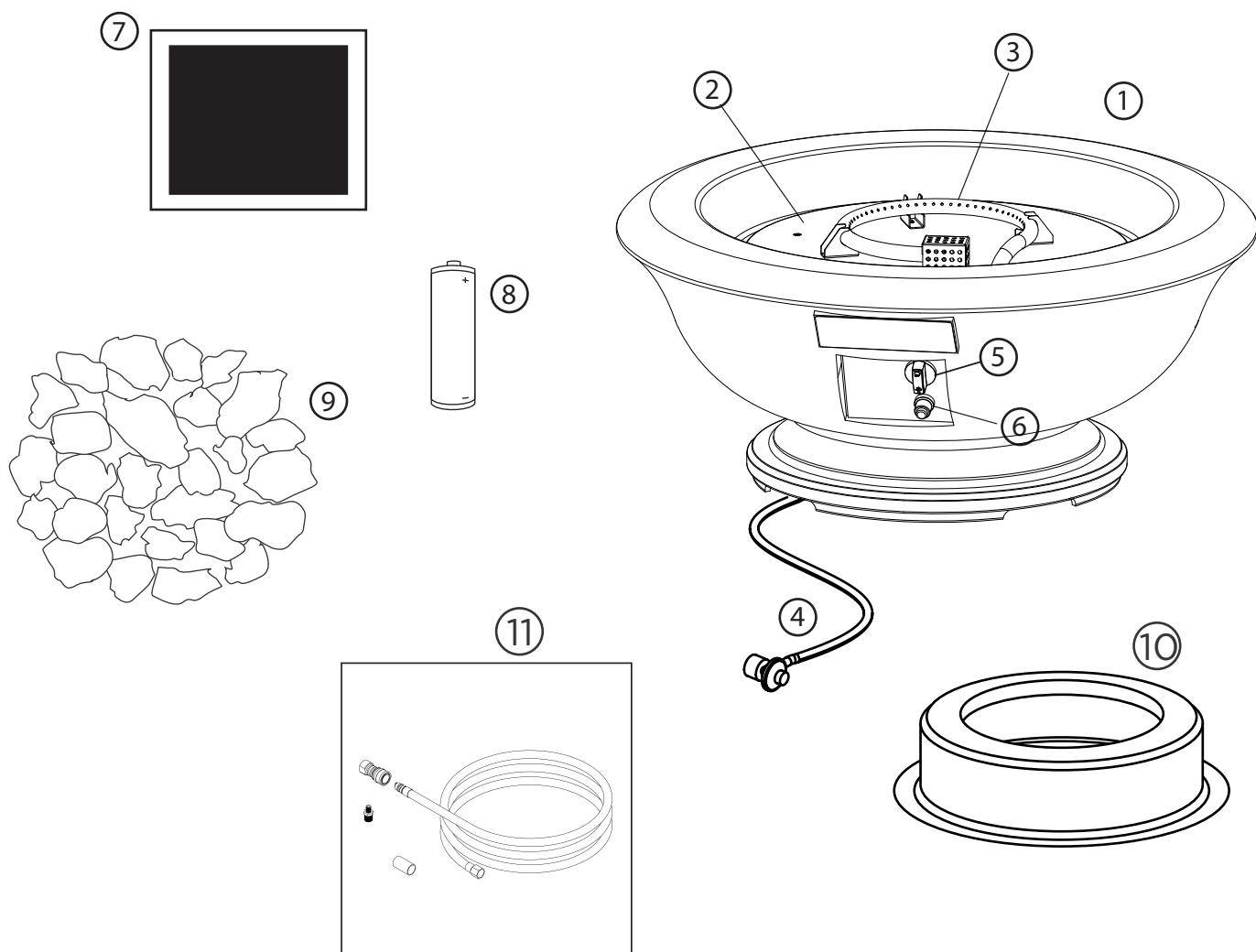
Antes de la conexión, asegúrese de que no haya residuos atrapados en la cabeza del cilindro de gas, la cabeza de la válvula reguladora o en la cabeza de los puertos del quemador y del quemador. Conecte la válvula reguladora y apriétela a mano. Desconecte el cilindro de propano de la válvula reguladora cuando la mesa de fuego no esté en uso. NO obstruya el flujo de aire de combustión y aire de ventilación del quemador.

# MONTAJE Y REEMPLAZO DE MANGUERA Y REGULADOR

1. Esta mesa de fuego se presenta equipada con una manguera de gas LP estándar y un regulador que incluye la conexión lateral del artefacto a un dispositivo de conexión de cilindro CGA No 791. Debe utilizarse la manguera de gas LP y el regulador suministrados con esta mesa de fuego. Sólo se puede utilizar para la sustitución, una manguera y un regulador especificados por el fabricante.
  - a. La conexión CGA No 791 incorpora un dispositivo limitador de flujo magnético, que actúa limitando el flujo de gas si se detecta una fuga entre el regulador y la válvula del quemador.
  - b. Si la válvula del quemador está abierta antes de abrir la válvula de servicio del cilindro de gas LP, la conexión interpretará este flujo libre de gas como una fuga.
  - c. La característica de seguridad de la conexión reducirá el flujo de gas del regulador al artefacto a un nivel mínimo.
  - d. Asegúrese de que la válvula de control del quemador esté cerrada antes de abrir la válvula de servicio del cilindro de gas LP para garantizar que el dispositivo limitador de flujo de conexión no se active por error.
  - e. Si el dispositivo limitador de flujo de conexión se activa por error, cierre la válvula de servicio del cilindro de gas LP y la válvula del quemador, espere 10 segundos para permitir que el dispositivo se restablezca, abra la válvula de servicio del cilindro y abra la válvula del quemador y encienda la mesa de fuego según las instrucciones de encendido.
2. Asegúrese de proteger la manguera de cualquier superficie caliente. Si la manguera entra en contacto con cualquier superficie caliente, puede producir un serio peligro.
3. Mantenimiento regular de la manguera y del regulador:
  - a. Inspeccione la manguera antes de cada uso del artefacto. Utilice un espejo de mano para ver las secciones de manguera ubicadas debajo de la unidad. Si la manguera muestra signos de grietas, abrasión, cortes o daños de cualquier tipo, no encienda la mesa de fuego. Repare o cambie la manguera como se requiera antes de usar la mesa de fuego. Para obtener asistencia con la reparación o reemplazo de la manguera, llame a Real Flame al 1-800-654-1704. Utilice sólo piezas de repuesto del fabricante.
  - b. Inspeccione el sello dentro de la válvula de servicio CGA No 791 en el cilindro de gas LP cuando reemplace el cilindro o al menos una vez al año. Si existe alguna indicación de daño, haga que el sello sea reemplazado por un representante autorizado certificado antes de usar la mesa de fuego.
4. No utilice herramientas para apretar la tuerca de conexión CGA No 791 en la válvula de servicio del cilindro de gas LP. Apriete solamente a mano.
5. Tenga cuidado de no cruzar las roscas de conexión al apretar la conexión CGA No 791 en la válvula de servicio del cilindro de gas LP.
6. Una "Prueba de fugas" siempre debe realizarse después de anexar la conexión a la válvula de servicio del cilindro de gas LP. (Consulte la sección "Comprobación de fugas" de este manual en la página 12)
7. Para conectar la manguera y el regulador al tanque de LP, refiérase a la sección "Conexión" de la sección del cilindro de gas LP más arriba.

# LISTE DES PIÈCES

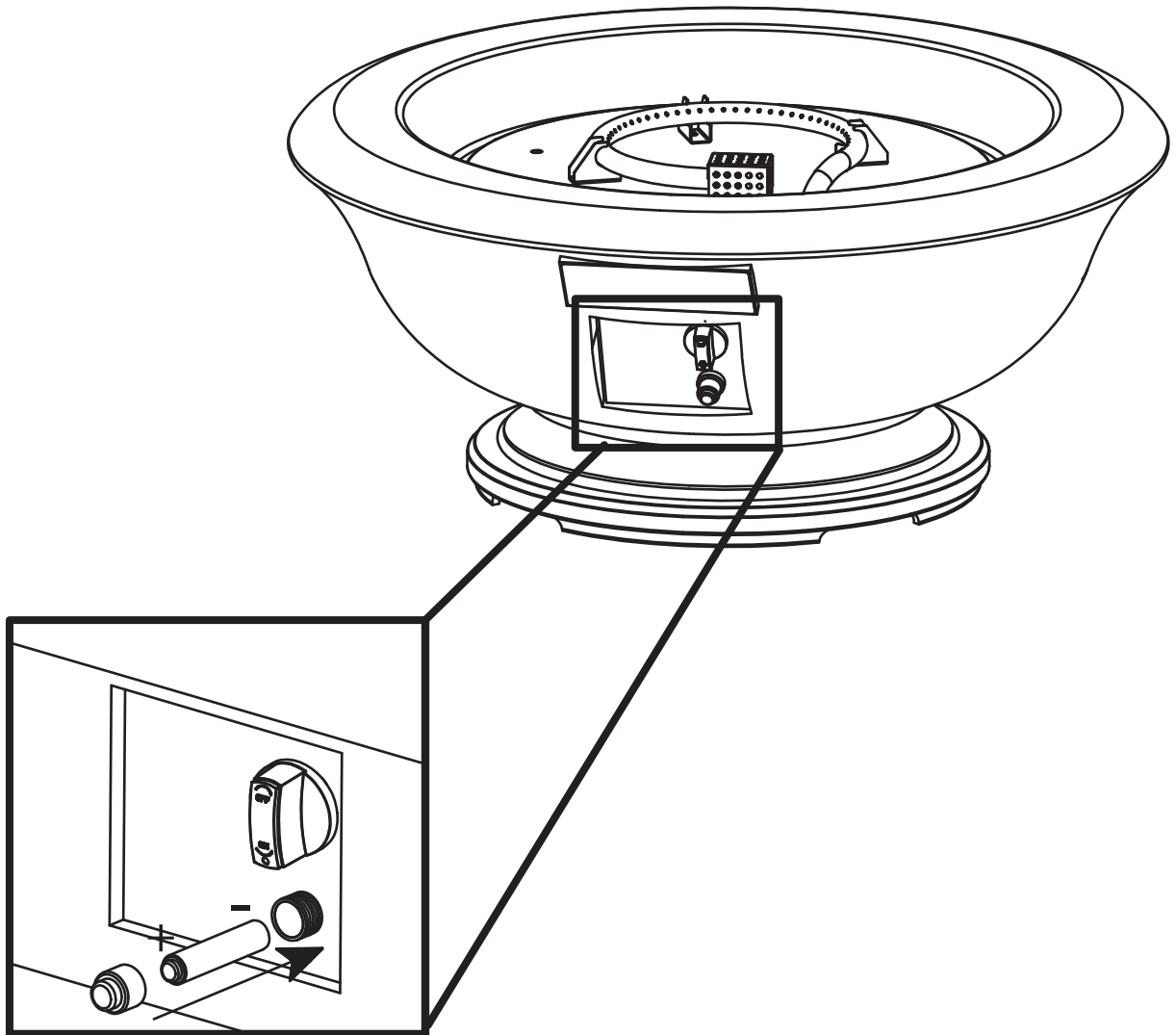
① Foyer	N/A	1
② Panneau de brûlure	118380002	1
③ Brûleur	100140003	1
④ LP tuyau et le régulateur	05600007	1
⑤ Bouton de commande	10040U000	1
⑥ La boîte d'allumage	05600013	1
⑦ Couvercle de protection	118380007	1
⑧ Batterie AAA	N/A	1
⑨ Pierres de lave	05603408	4Boîte
⑩ Siège du réservoir	05600005	1
⑪ Kit de conversion NG	00023103	1



# INSTRUCTIONS D'ASSEMBLAGE

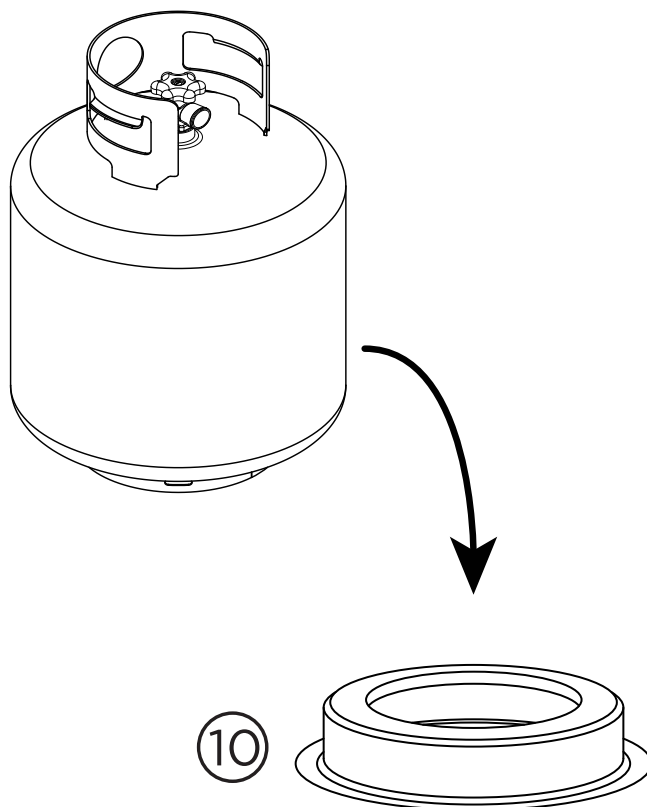
Installer la pile AAA (voir le diagramme ici-bas).

1

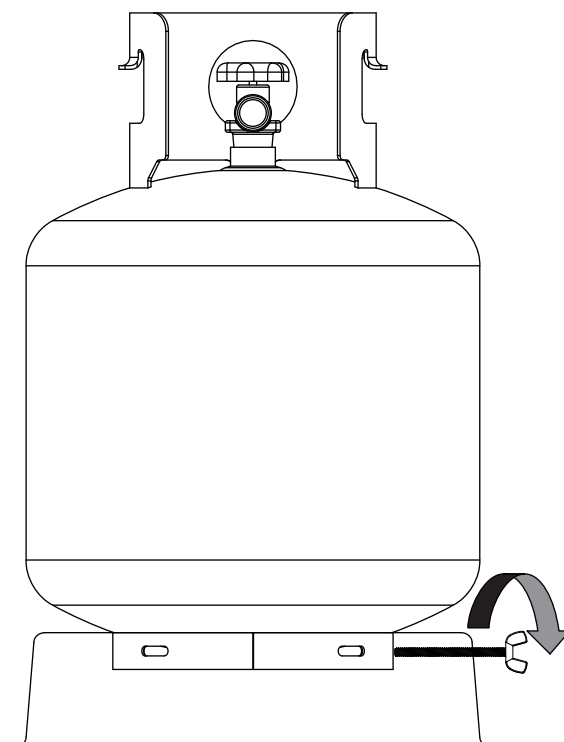


# 2

1. Mettre l'assise du réservoir sur le sol et placer un réservoir de propane de 20 lb (9,07 kg) dans l'assise du réservoir.



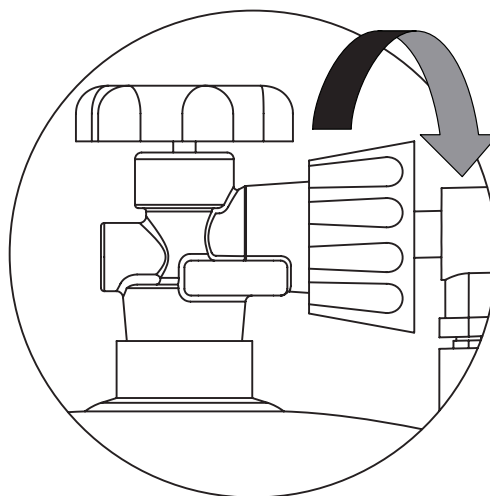
2. Resserrer la vis sur le côté de l'assise du réservoir pour bien fixer le réservoir de propane.



## Raccord du réservoir de gaz PL

Vous assurer de l'absence de débris dans la tête du réservoir ou dans la tête de la soupape de régulation. Bien vérifier le brûleur ainsi que les orifices du brûleur.

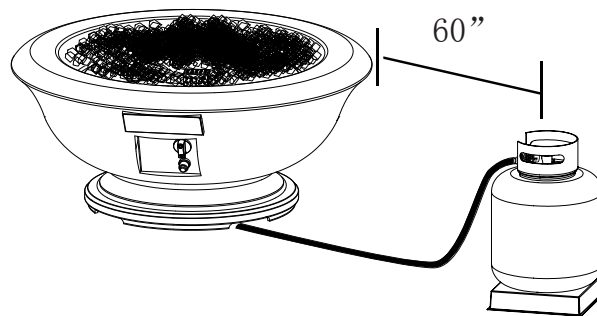
Raccorder la conduite de gaz au réservoir en tournant le bouton dans le sens des aiguilles d'une montre. Resserrer à la main seulement.



## WARNING

Placez le réservoir LP à 60 pouces de la table de feu.

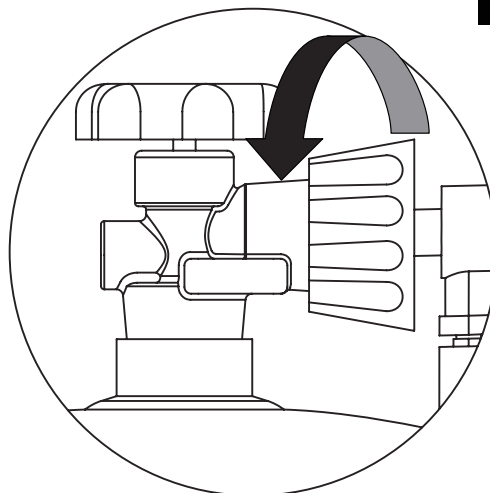
Regardez votre démarche en vous déplaçant entre le réservoir et la table à feu. Le tuyau crée un risque de déclenchement.



## Raccord du réservoir de gaz PL

Vous assurer que la soupape sur le réservoir de gaz PL est FERMÉE.

Débrancher en tournant le bouton dans le sens contraire des aiguilles d'une montre jusqu'à ce qu'il se détache de la soupape.

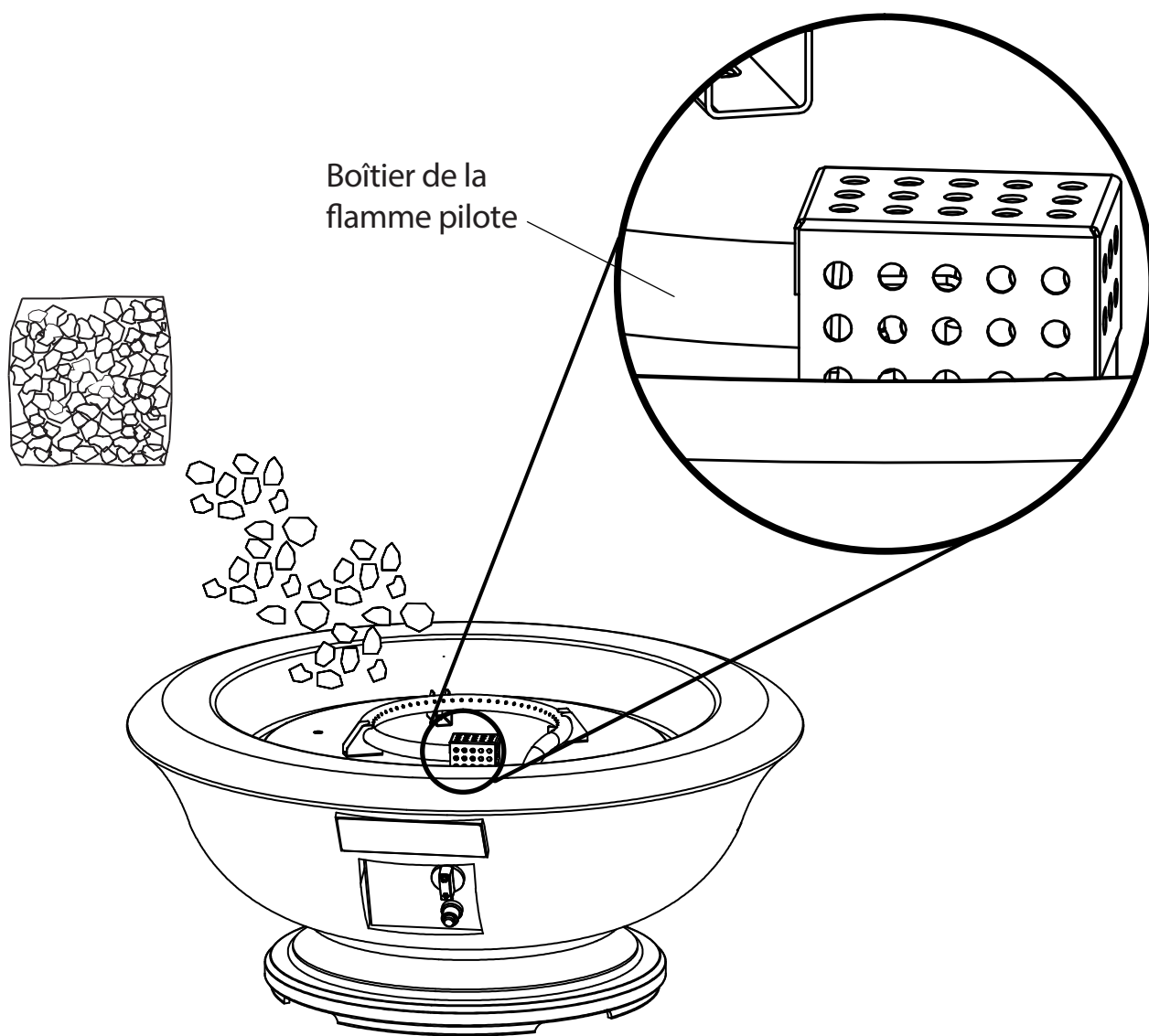




# INSTRUCTIONS D'ASSEMBLAGE

## 5

Étendre la verre pilé à la main. NE PAS vider le sac sur la grille afin d'éviter de boucher le brûleur avec de la poussière. Mettre la verre pilé jusqu'à 1 pouce (2,54 cm) au-dessus de la partie supérieure du brûleur. Vous assurer de ne pas bloquer la boîte d'allumage avec la verre pilé afin d'avoir un bon allumage.



# INSTRUCTIONS AVANT USAGE



**AVERTISSEMENT** Avant d'utiliser la table-foyer extérieure, vous assurer d'avoir lu, compris et suivi toutes les informations fournies dans la partie « Importante information de sécurité » de ce manuel. La négligence à suivre ces instructions peut occasionner des blessures sérieuses, des dommages à la propriété et même la mort.

Avant chaque utilisation du foyer au gaz, vérifier le tuyau et la soupape avoir aucun une abrasion ou une usure excessive.

## RACCORDS DU BRÛLEUR

Vous assurer que les raccords de la soupape de régulation et du tuyau sont fixés de façon sécuritaire au brûleur et au réservoir. Si l'appareil a été assemblé par quelqu'un d'autre que vous, vérifier visuellement le raccord entre le tuyau du brûleur et l'orifice. Vous assurer que le tuyau du brûleur s'ajuste parfaitement par-dessus l'orifice.



**AVERTISSEMENT** La négligence à inspecter ce raccord ou à suivre ces instructions peut occasionner un incendie ou une explosion causant des blessures sérieuses et même la mort.

Veillez vous reporter au diagramme pour une bonne installation. Si le tuyau du brûleur ne s'ajuste pas parfaitement à l'orifice, contacter le service à la clientèle de Real Flame® 1 800-654-1704 pour assistance.

## VÉRIFICATION DES FUITES

Faire une solution pour détection de fuite en mélangeant 1 partie de savon à vaisselle à 3 parties d'eau dans un flacon de pulvérisation.

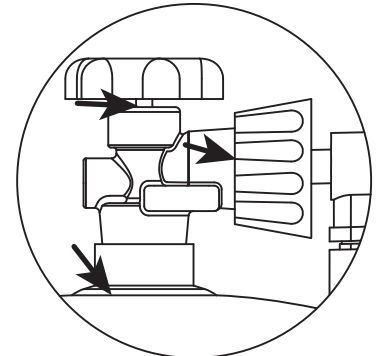
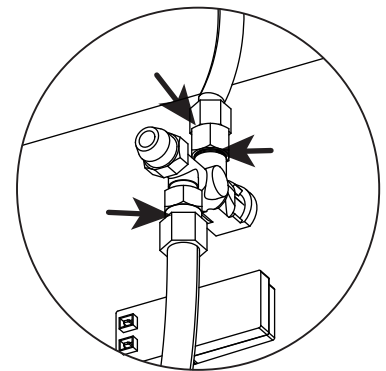
Vous assurer que le bouton de contrôle est en position « OFF ». Ensuite, tourner la soupape du réservoir à gaz PL en position « ON ».

Vaporiser la solution de détection de fuite sur les raccords de la soupape en portant une attention particulière aux endroits marqués par des flèches.

Si des bulles apparaissent, REFERMER le réservoir de gaz PL, raccorder de nouveau et refaire le test. Si vous voyez toujours des bulles après plusieurs tentatives, débrancher l'alimentation en gaz PL et contacter Real Flame® au 1 800-654-1704 pour assistance.

Si aucune bulle n'apparaît après une minute, REFERMER le réservoir, essayer la solution savonneuse et poursuivre la mise en marche.

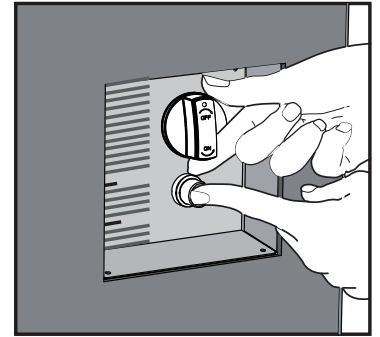
Vérifier les fuites à ces endroits précis



# INSTRUCTIONS D'ALLUMAGE

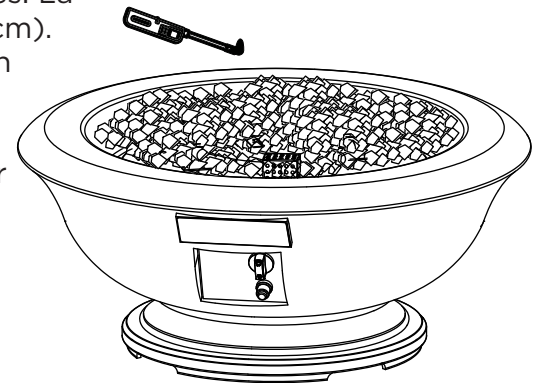
## Utilisant l'allumeur

1. Lire et comprendre toutes les instructions de la mise en marche avant l'allumage. Vous assurer que toutes les pellicules protectrices ont été enlevées autour du plateau du brûleur en inox avant l'allumage.
2. Le bouton de contrôle du brûleur doit être en position « OFF ».
3. Raccorder la bouteille de propane (PL) (voir les pages précédentes).
4. Ouvrir lentement la soupape de la bouteille de gaz PL.
5. Pousser et retenir le bouton d'allumage pour produire des étincelles.
6. Tout en tenant le bouton d'allumage d'une main, avec l'autre main, pousser et tourner le bouton de contrôle en position « LIGHT » pour allumer le brûleur.
7. Continuer la pression sur le bouton de contrôle du brûleur durant 15 à 30 secondes après l'ignition.
8. Si l'allumage ne se produit pas après 30 secondes, mettre le bouton de contrôle en position « OFF » et fermer complètement la source d'alimentation en gaz, attendre 5 minutes pour que les vapeurs de gaz se soient évaporées et répéter la procédure d'allumage.
9. Après l'allumage, tourner le bouton de contrôle du brûleur dans le sens contraire des aiguilles d'une montre à la position « LOW ». Observer la flamme, vous assurer que tous les orifices du brûleur sont allumés. La hauteur des flammes ne devrait pas dépasser 13 pouces (33,02 cm).
10. Ajuster la flamme à la hauteur désirée en vous servant du bouton de contrôle.



## Utilisation d'une longue allumette ou d'un briquet

1. Avant l'allumage, avec une pelle, déplacer les pierres de lave pour avoir accès au brûleur.
2. Avec des gants de protection, mettre la longue allumette ou le briquet au butane à côté du brûleur. NE PAS vous pencher au dessus de la table-foyer lors de l'allumage.
3. Tourner le bouton de contrôle dans le sens contraire des aiguilles d'une montre à « LIGHT »
4. Retirer la longue allumette ou le briquet à manche allongé.
5. Après l'allumage, en portant des gants de protection, utiliser une pelle pour replacer doucement les pierres de lave à leur position initiale et replacer le panneau de verre.
6. Après l'allumage, tourner le bouton de contrôle du brûleur dans le sens contraire des aiguilles d'une montre à la position « LOW ». Observer la flamme, vous assurer que tous les orifices du brûleur sont allumés. La hauteur de la flamme ne devrait pas dépasser 13 pouces (33,02 cm).
7. Ajuster la flamme à la hauteur désirée en vous servant du bouton de contrôle.



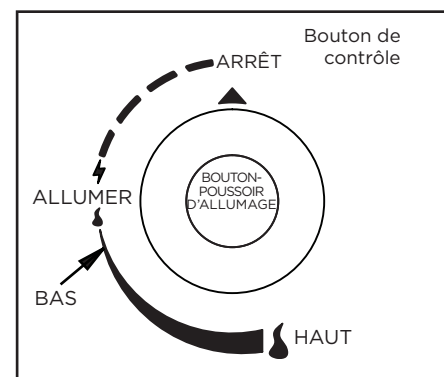
### **AVERTISSEMENT**

En allumant votre table-foyer selon cette méthode, vous devez utiliser des gants de protection résistants à la chaleur et suivre les instructions étape par étape. La négligence pourrait conduire à des blessures sérieuses.

### **AVERTISSEMENT**

Si la flamme du brûleur s'éteint durant cette procédure, mettre immédiatement le bouton de contrôle en position « OFF » et laisser les vapeurs de gaz s'évaporer pendant au moins 5 minutes avant de tenter de rallumer la table-foyer.

**Pour du soutien additionnel, vous reporter aux pages traitant du dépannage à la page 18.**



# ENTRETIEN ET NETTOYAGE

## Inspection

Cette table-foyer extérieure doit être inspectée régulièrement pour vous assurer de sa sécurité et pour prolonger sa durée de vie.



### **AVERTISSEMENT**

NE PAS faire l'inspection de ce foyer extérieur avant qu'il ne soit COMPLÈTEMENT éteint.

1. Vérifier le brûleur en vous assurant qu'il est en place de façon sécuritaire.
2. Vérifier le tube de venturi (diffuseur) en vous assurant qu'il est libre d'insectes, de nids d'araignée ou d'autres débris.
3. Vérifier tous les raccords de gaz en portant attention aux fuites.
4. Vérifier le système d'allumage en vous assurant de la production d'étincelles.
5. Vérifier toutes les composantes, vous assurant de la présence d'aucune usure excessive, d'aucun dommage ou de rouille.
6. Si vous observez des dommages, NE PAS utiliser jusqu'à ce que les réparations soient effectuées.



### **AVERTISSEMENT**

NE PAS altérer ou modifier cet appareil. Cela serait très DANGEREUX et annulerait la garantie. Toute pièce qui doit être changée doit être remplacée par une pièce approuvée et confirmée par le fabricant. Pour l'assistance technique, contacter Real Flame au 1 800-654-1704.

## Soin et entretien d'usage

Ce foyer pour l'extérieur devrait être nettoyé régulièrement pour vous assurer de sa sécurité et pour prolonger sa durée de vie.

Note : Après une utilisation répétée, une légère décoloration du fini peut survenir.

### Table

1. Essuyer les surfaces externes avec un chiffon imbibé d'eau savonneuse ou du bicarbonate de soude et rincer avec une eau propre.

### Acier inoxydable

1. Pour l'entretien régulier, utiliser une eau tiède et du savon ou un détergent avec un chiffon doux ou une éponge.
2. Pour les traces de doigt ou les saletés, utiliser le Nettoyant et Poli à inox 3M. Il fournira une barrière protectrice qui minimisera les traces de doigt.\*
3. Pour les taches tenaces et la décoloration, utiliser le Nettoyant et Poli à inox 3M avec un chiffon doux dans le sens des lignes du fini.\*

\*L'utilisation des noms de propriété est destinée seulement à nommer un type de nettoyant et ne constitue pas un endossement. L'omission d'autres noms de propriété de nettoyants ne signifie pas que ces produits ne soient pas adéquats. Tout produit doit être utilisé selon les recommandations inscrites sur le produit.

## Stockage



### **AVERTISSEMENT**

NE PAS déplacer ou entreposer cette table-foyer tant que le feu ne soit COMPLÈTEMENT éteint et que la table soit froide au toucher.

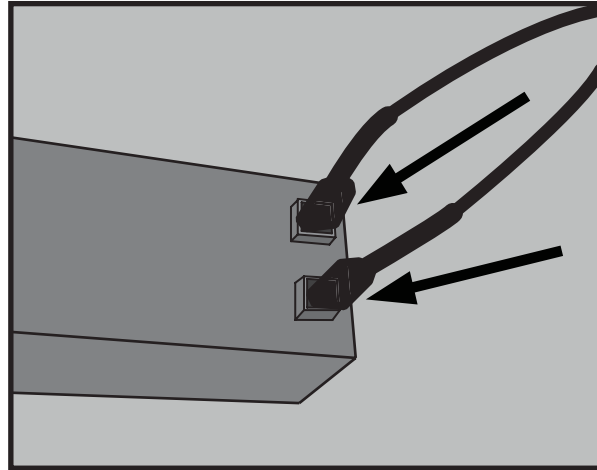
1. FERMER l'alimentation en gaz à partir du raccord du réservoir. Retirer le réservoir et l'entreposer dans un endroit frais et sec à l'extérieur et hors de portée des enfants.
2. Retirer doucement les pierres et entreposer les composantes à plat pour les protéger de tout bris.
3. TOUJOURS couvrir votre table-foyer extérieure avec la housse protectrice fournie avec l'appareil quand il n'est pas en usage.
4. Entreposer dans un endroit frais et sec hors de portée des enfants et des animaux domestiques.

# VÉRIFICATION DES COMPOSANTES DU RACCORD EN GAZ

Si le brûleur ne s'allume pas ou ne reste pas allumé, procédez aux vérifications suivantes.

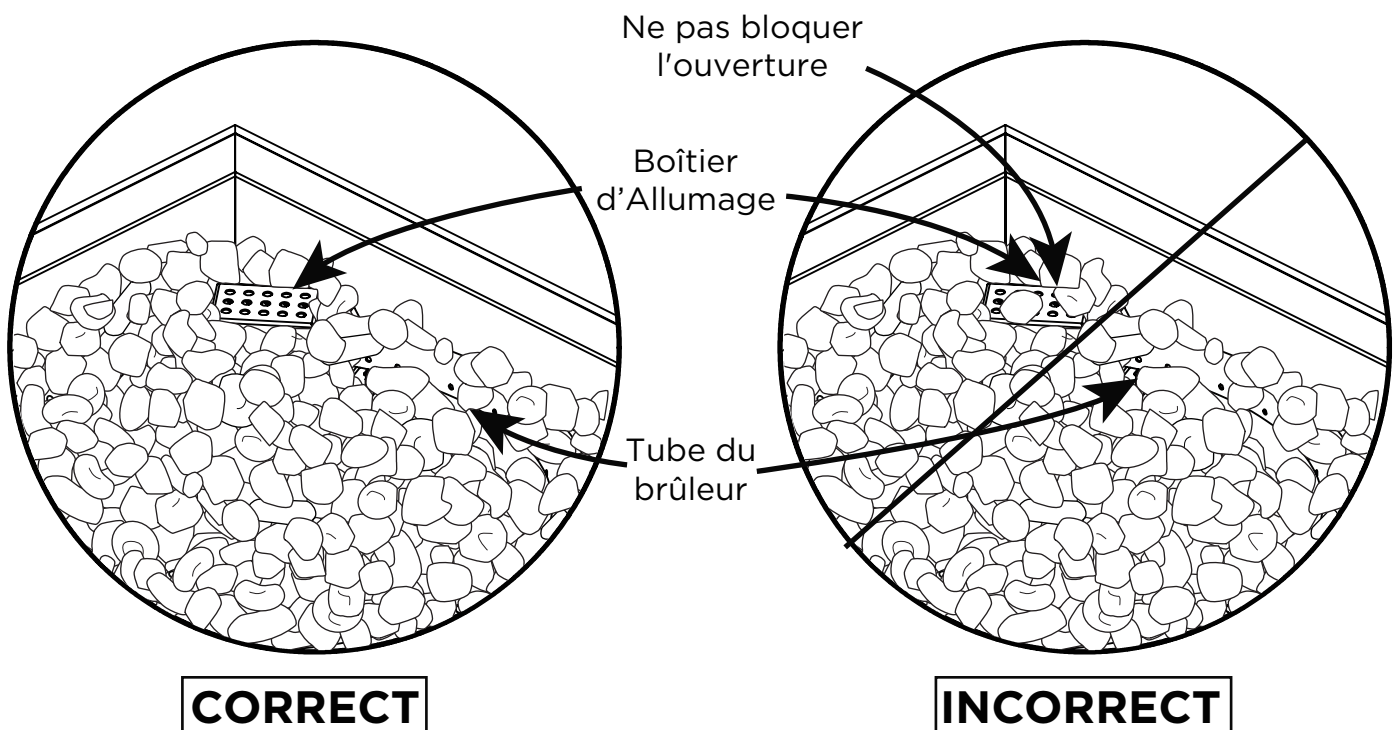
1. Vous assurer que le fil de l'électrode est correctement branché.

Les deux fils de l'électrode doivent être complètement insérés dans la boîte d'allumage.

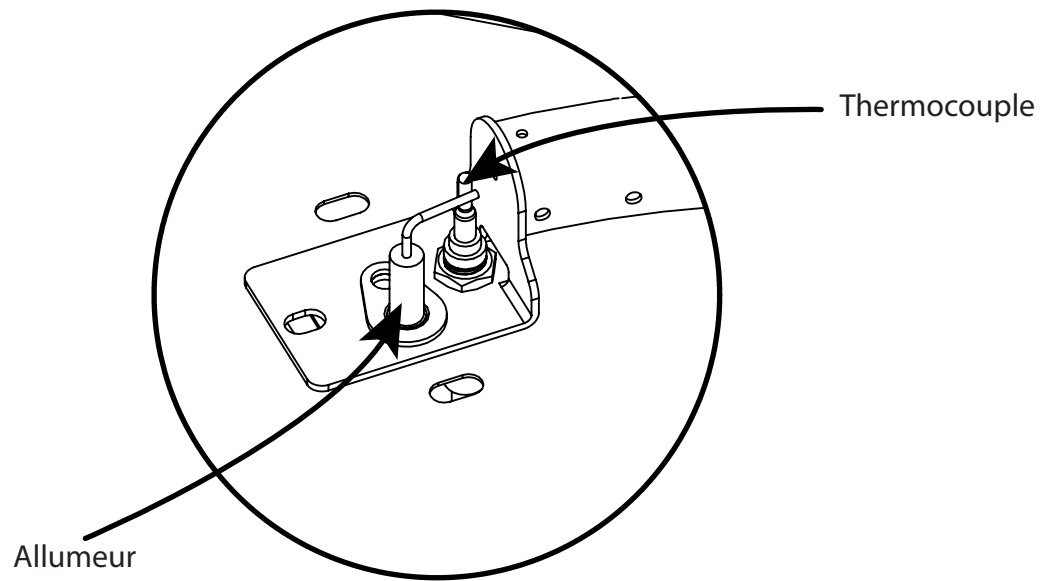


2. Vous assurer que le boîtier de la flamme pilote n'est pas obstrué.

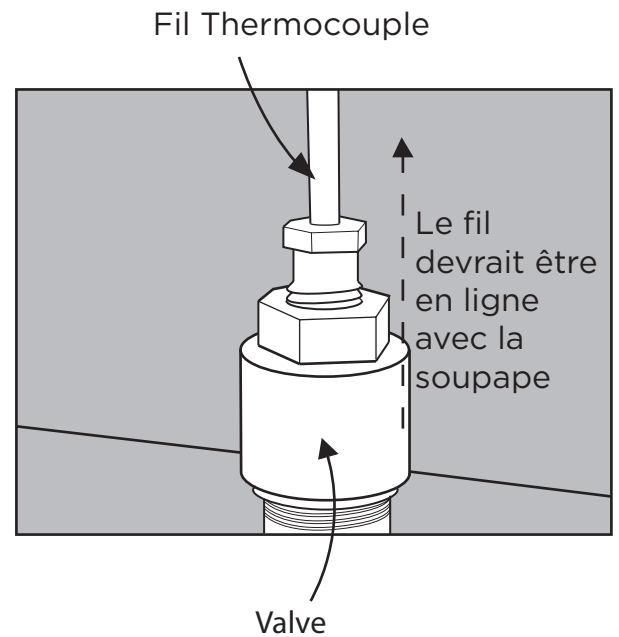
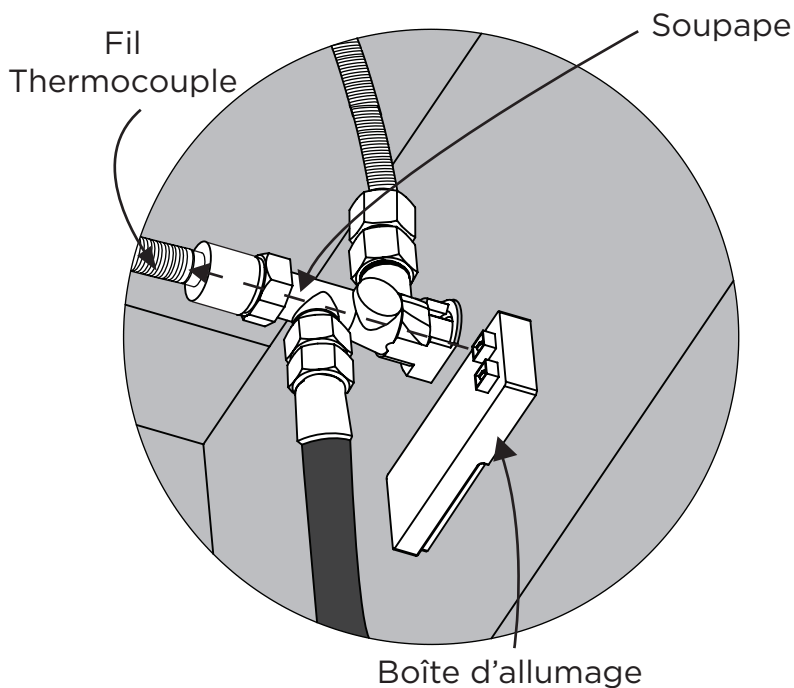
Enlever tous les débris sur le dessus du boîtier de la flamme pilote et vous assurer qu'il n'y a aucun débris entre l'aiguille d'allumage, le thermocouple et le tuyau du brûleur.



# VÉRIFICATION DES COMPOSANTES DU RACCORD EN GAZ



3. Vous assurer que l'aiguille d'allumage et le thermocouple sont correctement positionnés.
- L'aiguille d'allumage devrait pointer directement vers le thermocouple.
  - Le thermocouple devrait se situer à 5 mm de distance du tuyau du brûleur.



4. Assurez-vous que le fil du thermocouple est correctement positionné. Le fil de thermocouple devrait être en ligne avec la valve.

# DÉPANNAGE

## Problème: Le brûleur ne s'allume pas en utilisant l'allumeur

### Cause possible 1: L'électrode et les brûleurs sont humides.

- Essuyer avec un linge sec.

### Cause possible 2: La pile de l'allumeur est morte ou à l'envers.

- Vérifier si la pile AAA est insérée correctement dans l'allumeur (voir page 10) ou remplacer la pile.

### Cause possible 3: L'aiguille d'allumage est fissurée ou brisée - étincelles à la fissure.

- Contacter Real Flame au 1 800-654-1704 pour du soutien technique.

### Cause possible 4: Fil lâche ou débranché.

- Voir page 16, étape 1, rebrancher le fil. Contacter Real Flame au 1-800-654-1704.

### Cause possible 5: Le fil est en court-circuit (formation d'étincelles) entre l'allumeur et l'électrode.

- Contacter Real Flame au 1 800-654-1704 pour du soutien technique.

### Cause possible 6: L'aiguille de l'allumeur n'est pas pointée vers le thermocouple.

- Voir page 16, tourner l'électrode afin qu'il pointe vers le thermocouple.

### Cause possible 7: Allumeur défectueux.

- Contacter Real Flame au 1 800-654-1704 pour du soutien technique.

## Problème: Le brûleur ne s'allume pas avec une allumette

### Cause possible 1: Le gaz ne circule pas.

- Vérifier si le réservoir de gaz PL est vide. S'il est vide, remplacer ou faire remplir le réservoir. Si le réservoir de propane n'est pas vide, vous reporter au « Problème : Baisse soudaine de la circulation du gaz » à la page suivante.

### Cause possible 2: L'écrou de raccord et le régulateur ne sont pas bien raccordés.

- Tourner l'écrou de raccord d'un demi à trois quarts de tour jusqu'à ce que vous ressentiez un arrêt ferme. Ne pas utiliser d'outil, serrer à la main seulement.

### Cause possible 3: Il y a obstruction de la circulation du gaz.

- Vérifier que le tuyau n'est pas plié ou tordu.

### Cause possible 4: Des toiles d'araignée ou des nids d'insecte dans le tube de venturi (diffuseur).

- Nettoyer le tube de venturi (diffuseur).

### Cause possible 5: Les orifices du brûleur sont obstrués ou bouchés.

- Vous reporter à « Problème : Forme de flamme irrégulière » à la page suivante. Nettoyer les orifices du brûleur comme il y est mentionné.

## Problème: La table-foyer émet beaucoup de fumée noire lors de son utilisation

### Cause possible 1: Le tuyau du foyer au gaz est pincé.

- Vous assurer que le tuyau n'est pas pincé entre la table-foyer et la source du gaz.

### Cause possible 2: Il y a obstruction de la flamme aux orifices du brûleur.

- Vous assurer que les orifices du brûleur ne sont pas bloqués par les pierres de lave et que la flamme peut bouger naturellement.



# DÉPANNAGE

## **Problème: Chute soudaine de la circulation du gaz ou diminution de la hauteur de la flamme**

### **Cause possible 1: Manque de gaz.**

- Contacter votre fournisseur de gaz.

### **Cause possible 2: Le dispositif d'écoulement sécuritaire maximal a été activé.**

- Mettre le bouton de contrôle en position « OFF », attendre 30 secondes et allumer le foyer extérieur. Si les flammes sont toujours trop basses, réinitialiser le dispositif d'écoulement sécuritaire maximal en refermant le bouton de contrôle et la soupape du réservoir à gaz PL. Débrancher le régulateur. Mettre le bouton de contrôle du brûleur en position « High ». Attendre 1 minute. Refermer le bouton de contrôle du brûleur. Rebrancher le régulateur et procéder à une vérification de fuite autour des raccords du réservoir. Ouvrir lentement la soupape du réservoir de gaz PL, attendre 30 secondes et allumer la table-foyer.

## **Problème : Forme de flamme irrégulière, la flamme ne court pas sur toute la longueur du brûleur**

### **Cause possible: les orifices du brûleur sont obstrués ou bouchés.**

- Nettoyer les orifices du brûleur. Utiliser le bout d'un trombone dans chacun des orifices du brûleur pour vous assurer qu'ils ne sont pas obstrués. AVERTISSEMENT : Vous assurer que le brûleur n'est pas en fonction et que l'alimentation en gaz a été proprement débranchée. Attendre 15 minutes pour que l'appareil ait refroidi avant de le toucher.

## **Problème: La flamme s'éteint**

### **Cause possible 1: Des vents forts ou des bourrasques de vent.**

- Augmenter la flamme en position « HIGH ».

### **Cause possible 2: Faible quantité de gaz PL**

- Remplacer ou remplir le réservoir à gaz PL.

### **Cause possible 3: La soupape de l'écoulement maximale ne fonctionne pas.**

- Vous reporter au « Problème : Chute soudaine de la circulation du gaz »

## **Problème: La flamme semble perdre de la chaleur quand l'appareil fonctionne lors des températures froides – température sous 50 °F (10 °C)**

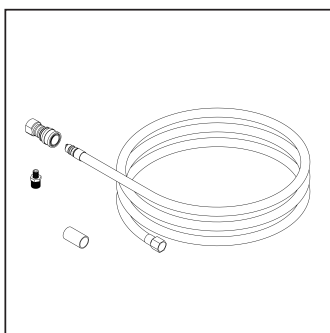
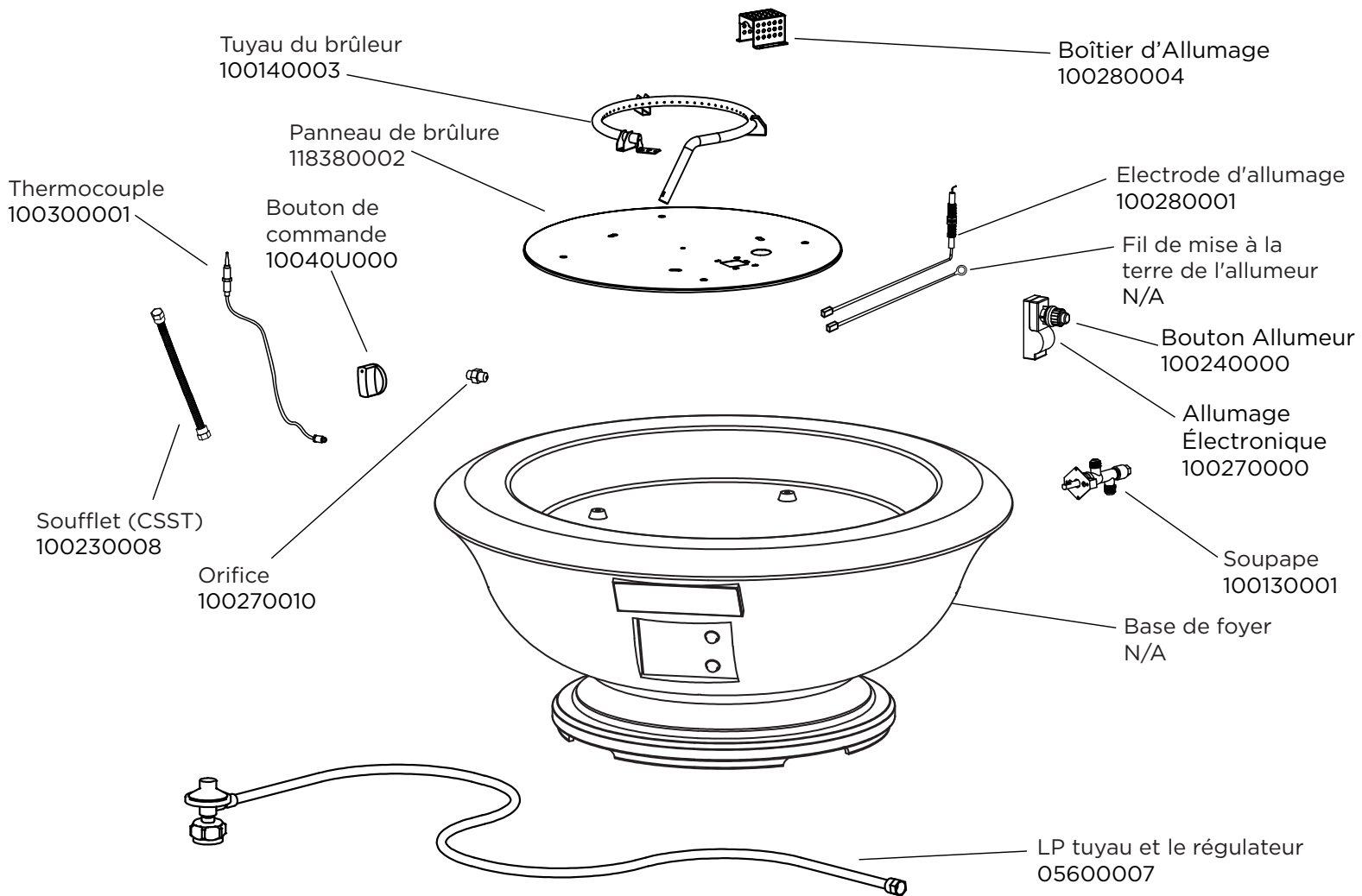
### **Cause possible 1: De la glace a pu se former à l'extérieur du réservoir de gaz PL parce que le processus de vaporisation est trop faible.**

- Tourner le bouton de contrôle et le réservoir de gaz PL en position « OFF ». Remplacer le réservoir de gaz par un de rechange et reprendre l'allumage. Entreposer le réservoir de rechange dans un endroit bien ventilé et hors de portée des enfants.

**Si ces suggestions de dépannage ne résolvent pas le problème,  
contacter Real Flame au 1 800-654-1704**



# LISTE DES PIÈCES TECHNIQUES



Kit de Conversion de Gaz  
00023103

# Garantie De Real Flame Et Politique De Retour

## **Garantie**

La compagnie Real Flame® garantit les foyers à gaz Real Flame et ses accessoires sont exempts de défauts de pièces sous une utilisation normale pour une période de 1 an à compter de la date d'achat et défectueux de problèmes de finition pour une période de 1 an de la date d'achat. Dans l'éventualité de défectuosité, Real Flame remplacera, selon sa convenance, le produit défectueux ou procédera au remboursement du coût d'achat. Les présentes constituent le seul recours et Real Flame ne reconnaît aucune autre garantie que ce soit, incluant les garanties implicites de la qualité marchande ou d'adaptation à un usage particulier. De plus, Real Flame ne se tient aucunement responsable des dommages consécutifs à un usage abusif où lesdits dommages représenteraient une valeur supérieure au coût du produit sur lequel cette responsabilité tient place. Les foyers électriques offrent une garantie d'un an sur la chambre de combustion électrique seulement.

## **Politique de retour**

Vous pouvez retourner votre produit dans les 90 jours suivant sa réception. Aucun remboursement ne sera accordé pour les retours non autorisés ou incomplets. Tous les produits retournés doivent être complets à 100 %, emballés adéquatement dans leur emballage original et dans une bonne condition de revente. Les produits qui ont été assemblés ou modifiés ne seront pas admissibles à un retour. Tous les articles doivent être retournés dans leur entièreté, ce qui veut dire que tous les éléments inclus doivent être retournés ensemble. Il n'y a aucun retour ou échange pour les articles qui ne sont plus sur le marché. Veuillez entreprendre les procédures de retour de marchandise en contactant premièrement le détaillant ou la compagnie où vous vous êtes procuré l'article Real Flame.

## **Pièces de rechange**

Si une pièce était perdue ou endommagée soit par le manufacturier ou lors de l'expédition, vous pouvez demander un remplacement. Les pièces de rechange ne sont pas offertes pour tous les articles et ne sont données qu'à la discrétion de Real Flame. Nous estimerons chacun des dommages et trouverons une solution, pouvant inclure l'envoi d'un remplacement et la commande d'un nouvel article. Aucun remplacement n'est possible pour les articles qui ne sont plus sur le marché ou pour les articles réemballés (boîte ouverte). Avant de retourner les articles endommagés, veuillez contacter le service à la clientèle de Real Flame au 1 800 654-1704 pour des pièces de rechange. Avant de contacter le service à la clientèle, ayez en main les informations suivantes, se trouvant dans votre manuel d'instructions :

- Le numéro du produit
- Le numéro de la pièce de 4 à 8 chiffres
- Le numéro de code de lot
- L'adresse d'expédition
- Une photo de l'article endommagé peut être demandée. Les photos devront être envoyées à [custserv@realflame.com](mailto:custserv@realflame.com)

## **Réception de commande irrégulière**

Si vous recevez un article différent que celui que vous avez commandé, veuillez contacter le service à la clientèle de Real Flame au 1 800 654-1704 dans les 48 heures suivant la réception de la marchandise. Veuillez consulter le [www.Realflame.com](http://www.Realflame.com) pour une vue complète de nos directives et de nos politiques de retour de marchandise.

Real Flame®  
7800 Northwestern Ave.  
Racine, WI 53406

Customer Service: 1-800-654-1704 in USA  
Service à la clientèle: 1-800-363-6443 in Canada  
[custserv@realflame.com](mailto:custserv@realflame.com)



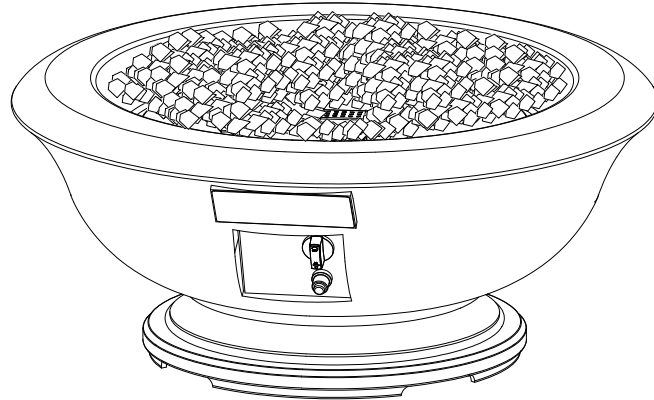
Lot: \_\_\_\_\_

P.O. \_\_\_\_\_



# realflame®

fireplaces



## C11838LP Treviso

### Manual del hogar de la tabla ronda

#### **! IMPORTANTE**

LEA ESTE MANUAL ANTES DE USAR EL PRODUCTO CONSERVE ESTAS INSTRUCCIONES

#### **! ADVERTENCIA**

Únicamente para uso al aire libre. NO lo utilice para cocinar. NO lo utilice debajo de una estructura

#### **! ADVERTENCIA**

- ! Si no sigue con precisión la información que se brinda en este manual, podría provocar un incendio o una explosión y causar daños a la propiedad, lesiones personales o la muerte.**
- ! La instalación y el servicio deben estar a cargo de un instalador, una agencia de servicio o un proveedor de gas calificado.**
- ! Si no realiza la instalación, el ajuste, la alteración, el servicio o el mantenimiento de manera adecuada, puede provocar lesiones o daños a la propiedad.**
- ! Lea las instrucciones de instalación, operación y mantenimiento atentamente antes de instalar o brindar servicio a este equipo.**
- ! Conserve estas instrucciones para consultarlas en el futuro. Si está armando esta unidad para otra persona, entréguele el manual para que lo lea y lo conserve para consultarlo en el futuro.**

#### **! PELIGRO**

- Si siente olor a gas:
1. Corte el suministro de gas al artefacto.
  2. Apague cualquier llama abierta.
  3. Si el olor continúa, aléjese del artefacto y comuníquese inmediatamente con su proveedor de gas o con los bomberos.

#### **! ADVERTENCIA**

No almacene ni utilice gasolina u otros líquidos y vapores inflamables cerca de este o de cualquier otro artefacto.

Los cilindros de propano líquido que no están conectados para ser utilizados no se deben conservar cerca de este u otros artefactos.



Diseño certificado bajo norma ANSI Z21.97-2010  
Norma para artefactos de gas decorativos para exterior y CGA CR97-003 Requisitos para hogares a gas para exterior

Servicio de atención al cliente de Real Flame: 1-800-654-1704

# ÍNDICE

Información importante de seguridad	3
Peligros y advertencias sobre el propano líquido	5
Armado y reemplazo de la manguera y el regulador	7
Lista de piezas	8
Instrucciones de ensamblaje	9
Instrucciones de encendido	14
Cuidado y mantenimiento	15
Verificación de componentes de gas y conexiones	16
Solución de problemas	18
Garantía	21



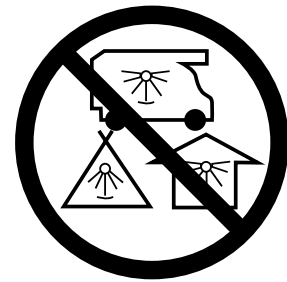
## PELIGRO

### PELIGRO DE MONÓXIDO DE CARBONO

**Este artefacto puede producir monóxido de carbono, que es un gas inodoro.**

**Si utiliza este equipo en un lugar cerrado, puede provocarle la muerte.**

**Nunca use este equipo en un lugar cerrado, como un cámper, una carpa, un automóvil o una casa.**



## ESPECIFICACIONES

### Nombre del producto

Treviso Ronda

### Modelo N.º

C11838LP

### Generación de calor nominal

40,000 btu/hr

### Tipo de gas

Propano (LP)

### Suministro de gas

20 lb LP-Gas Cylinder

# INFORMACIÓN IMPORTANTE DE SEGURIDAD

 **ADVERTENCIA** LA COLUMNA DE FUEGO ES PARA USO ÚNICAMENTE AL AIRE LIBRE

## SI SIENTE OLOR A GAS

- Corte el suministro de gas a la columna de fuego.
- Apague cualquier llama abierta.
- No intente encender ningún artefacto.
- No toque ningún interruptor eléctrico; tampoco use los teléfonos del lugar.
- Comuníquese inmediatamente con el proveedor de gas desde el teléfono de un vecino.
- Siga las instrucciones del proveedor de gas.
- Si no puede comunicarse con el proveedor de gas, llame a los bomberos.

- **ADVERTENCIA** Si no sigue las indicaciones de peligro, advertencia y precaución que se incluyen en este manual, podría sufrir lesiones graves o la muerte, o podría provocar un incendio o una explosión, con los consiguientes daños a la propiedad.
- **NOTIFICACIÓN IMPORTANTE** Lea y comprenda todas las advertencias y las precauciones antes de armar y utilizar la columna de fuego a gas. Si no realiza la instalación, el ajuste, la alteración, el servicio o el mantenimiento de manera adecuada, puede provocar lesiones o daños a la propiedad.
- **Nota** El uso y la instalación de este producto se debe realizar en conformidad con los códigos locales. Si no conoce los códigos locales, utilice el Código de Gas combustible nacional, ANSI Z21.97 o consulte el Código de instalación de propano y gas natural CSAB149.1 o el Código de Almacenamiento y manipulación de propano B149.2.
- **Distancia mínima entre la unidad y los materiales combustibles**  
72 pulg. (182,9 cm) en la parte superior; 48 pulg. (121,9 cm) en los costados y la parte posterior. No coloque esta columna de fuego debajo de una estructura.
- Esta columna de fuego a gas y su válvula de seguridad individual se deben desconectar del sistema de abastecimiento de gas si se realizan pruebas en el sistema con una presión superior a 1/2 psi (3,5 kPa). Este artefacto se debe desconectar del sistema de abastecimiento de gas cerrando la válvula de seguridad manual individual si se realizan pruebas en el sistema con una presión igual o inferior a 1/2 psi (3,5 kPa).
- Conserve estas instrucciones para consultarlas en el futuro. Si está armando esta unidad para otra persona, entréguele el manual para que lo lea y lo conserve para consultarlo en el futuro.
- Esta columna de fuego a gas se debe utilizar ÚNICAMENTE al aire libre, en un espacio correctamente ventilado y NO se debe utilizar dentro de un edificio, un garaje o cualquier otro lugar cerrado.
- NO utilice la columna de fuego a gas para exterior para calefaccionar un ambiente interior. Podrían acumularse gases TÓXICOS de monóxido de carbono y provocarle asfixia.
- NUNCA DEJE esta columna de fuego a gas sin supervisión durante su uso.
- Los niños deben recibir información acerca de los peligros de las temperaturas elevadas en la superficie y deben permanecer a una distancia segura cuando la columna de fuego está siendo utilizada.
- No almacene ni utilice gasolina u otros líquidos y vapores inflamables dentro de un radio de 25 pies (7,62 m) de este o de cualquier otro artefacto.
- No almacene ningún material combustible en el gabinete de la base.
- El consumo de alcohol, medicamentos recetados o no recetados puede alterar la capacidad de una persona para armar u operar de manera segura esta columna de fuego.

# INFORMACIÓN IMPORTANTE DE SEGURIDAD

- NO utilice este equipo en una atmósfera con riesgo de explosión. Mantenga la zona en la que se encuentra la columna despejada y sin materiales combustibles, gasolina u otros líquidos y vapores inflamables.
- Esta columna de fuego para exterior NO debe ser utilizada por niños. Los niños pequeños deben ser supervisados cuando se encuentren cerca de esta columna de fuego.
- Esta columna de fuego para exterior no se debe instalar en embarcaciones o vehículos recreativos.
- Utilícela siempre en conformidad con todos los códigos nacionales, estatales y locales aplicables. Comuníquese con el departamento de bomberos local para obtener información detallada sobre los fuegos al aire libre.
- Al utilizar esta columna de fuego para exterior, tome las mismas precauciones que tomaría con una llama abierta.
- NO queme en esta columna de fuego combustibles sólidos como los siguientes: madera, briquetas de carbón, carbón, leños fabricados, tablones, basura, hojas, papel, cartón, aglomerado, madera pintada, teñida o con tratamiento a presión.
- NO utilice esta columna de fuego para exterior hasta que esté COMPLETAMENTE armada y todas las piezas estén firmemente sujetas y ajustadas.
- NO almacene otro tanque de gas propano líquido dentro de un radio de 10 pies (3,05 m) de esta columna de fuego para exterior mientras se encuentre encendida.
- NO utilice esta columna de fuego para exterior cerca de automóviles, camiones, camionetas o vehículos recreativos.
- NO utilice esta columna de fuego debajo de ninguna estructura ni cerca de construcciones combustibles que no estén protegidas. Evite utilizarla cerca o debajo de árboles o arbustos.
- Utilice siempre esta columna de fuego para exterior sobre una superficie dura, nivelada y no combustible, como concreto, roca o piedra. Es posible que no resulte aceptable una superficie recubierta con asfalto.
- NO utilice esta columna de fuego para exterior si alguna de sus piezas ha estado debajo del agua. Comuníquese inmediatamente con un técnico de servicio calificado para que inspeccione la columna de fuego y reemplace cualquier pieza, sistema de control o control de gas que haya estado bajo el agua.
- NO utilice vestimenta inflamable u holgada al operar esta columna de fuego para exterior.
- NO la utilice cuando haya viento.
- Mantenga todos los cables eléctricos alejados de una columna de fuego para exterior.
- Algunas zonas de esta columna de fuego para exterior pueden calentarse durante el uso. No toque las superficies calientes hasta que se haya enfriado la unidad, a menos que esté usando equipo de protección, como sujetadores aislados o guantes resistentes al calor, a fin de evitar las quemaduras.
- NO cuelgue ni coloque prendas de vestir u otros materiales inflamables cerca de la columna de fuego a gas o sobre ella.
- Si se retira una cubierta u otro dispositivo de protección para brindar servicio a la columna de fuego, debe volver a colocarlo antes de volver a usarla.
- NO intente mover ni almacenar esta columna de fuego hasta que todas las piezas estén frías.
- NO se incline sobre esta columna de fuego al encenderla o durante su uso.
- Utilice únicamente el conjunto de manguera y regulador que recibió con este equipo. El conjunto de manguera y regulador de reemplazo debe ser el especificado por el fabricante.
- NO intente desconectar el regulador de gas ni ningún otro accesorio del tanque mientras la columna de fuego para exterior se encuentre en uso.
- Desconecte siempre el tanque de propano cuando no esté utilizando la unidad.
- NO se siente ni se incline sobre esta columna de fuego durante su uso.
- NO se siente ni se incline sobre esta columna de fuego durante su uso.
- Las piedras volcánicas levantan mucha temperatura, mantenga a los niños y las mascotas a una distancia segura.



# INFORMACIÓN IMPORTANTE DE SEGURIDAD

- Es fundamental que conserve la limpieza del compartimiento de la válvula, el quemador y los pasajes para la circulación de aire de la columna de fuego para exterior. Inspeccione la columna de fuego antes de cada uso.
- Antes de poner en funcionamiento la columna de fuego, mire a través del panel de acceso y verifique los componentes del quemador para ver si hay mucha abrasión o desgaste. Si alguna de estas piezas está dañada, debe reemplazarla antes de utilizar la columna de fuego a gas. Comuníquese con Real Flame al 1-800-654-1704
- Antes de cada uso, retire las rocas volcánicas. Examine el quemador y sus componentes. Si están sucios, límpielos con un cepillo blando y una solución de agua y jabón. Examine la zona que rodea al quemador y retire cualquier suciedad o material extraño, como telas de araña o nidos de esta zona. Si es evidente que el quemador está dañado, no debe utilizar la columna de fuego. El conjunto del quemador no se puede reemplazar. Comuníquese con Real Flame al 1-800-654-1704 para solicitar soporte técnico.
- Coloque la manguera alejada de los lugares de paso en los que alguna persona podría tropezarse. No coloque la manguera en las zonas en las que pueda sufrir un daño accidental.

## **AVERTISSEMENT**

Cette table de feu externe ne doit être utilisée qu'avec du gaz de pétrole liquéfié (LP). La conversion en Gaz Naturel (NG) doit être faite avec le kit de conversion Real Flame approuvé et doit être effectuée par un professionnel du gaz. Ne pas le faire peut entraîner des dommages matériels, des blessures ou la mort.

**ATENCIÓN:** Cualquier modificación de la columna de fuego para exterior que no esté específicamente indicada en el manual de operaciones anulará la garantía del fabricante.

# PELIGROS Y ADVERTENCIAS SOBRE EL PROPANO LÍQUIDO

## **GAS PROPANO LÍQUIDO**

El gas propano líquido es inflamable y peligroso si no se manipula de manera adecuada. Debe conocer las características antes de utilizar cualquier producto de gas de propano líquido.

### **Características del propano**

- Inflamable, explosivo bajo presión, más pesado que el aire y se asienta en zonas bajas.
- En su estado natural, el propano no tiene olor. Para su seguridad, se ha agregado olor.
- El contacto con el propano puede provocar quemaduras en la piel.
- El propano es sumamente inflamable y peligroso si se manipula incorrectamente.

### **ADVERTENCIAS DEL GAS PROPANO LÍQUIDO**

- Los cilindros se deben almacenar al aire libre en una zona bien ventilada, lejos del alcance de los niños.
- Los cilindros que no están conectados deben tener los tapones de las válvulas instalados y ajustados y no se deben almacenar en edificios, garajes u otros lugares cerrados.
- Nunca utilice un cilindro de propano si tiene el cuerpo, la válvula, el cuello o la base dañados.
- Los cilindros de propano con abolladuras u oxidados pueden resultar peligrosos y es necesario que el proveedor de gas propano los controle.
- Asegúrese de utilizar únicamente un cilindro de gas propano de 1 libra (465 g) en este artefacto.
- Sólo se pueden utilizar tanques con la etiqueta de "propano". El tanque de abastecimiento de gas propano líquido debe estar construido e identificado en conformidad con las Especificaciones para tanques de gas propano líquido del Departamento de Transporte de los Estados Unidos (DOT) o las Normas nacionales de Canadá, CAN/CSA-B339, para el transporte de tanques, tubos y esferas de gas propano.

# PELIGROS Y ADVERTENCIAS SOBRE EL PROPANO LÍQUIDO

- Los tanques de gas propano deben contar con una manera de eliminar los vapores.
- El tanque de gas propano debe contar con un dispositivo para prevenir el llenado excesivo y un QCCI o una conexión Tipo I (CGA810).
- El cilindro de gas propano líquido debe contener una válvula de seguridad, en conformidad con las especificaciones de la Norma de Conexión de entrada y salida de la válvula de cilindros de gas comprimido, ANSI/CGA-V-1-1977, CSA B96.
- Nunca utilice un tanque de gas propano si tiene el cuerpo, la válvula, el cuello o la base dañados. Los tanques de gas propano con abolladuras u oxidados pueden resultar peligrosos y es necesario que el proveedor de gas propano los controle antes de su uso.
- Cuide de no dejar caer el tanque de gas propano líquido y manipúlelo con cuidado.
- Los tanques se deben almacenar al aire libre y lejos del alcance de los niños. NO los almacene en un edificio, un garaje o cualquier otro lugar cerrado.
- Nunca almacene su tanque de gas propano en lugares con temperaturas superiores a 125 °F (52 °C).
- No almacene los cilindros de gas propano en lugares con luz solar directa ni cerca de una fuente de calor o combustión.
- Nunca conserve un tanque de gas de propano en un automóvil caliente ni en el baúl de un automóvil. El calor incrementará la presión del gas y esto podría abrir la válvula de escape y permitir la salida del gas.
- Coloque la tapa sobre la salida de la válvula cuando el tanque de gas propano no esté siendo utilizado. Instale únicamente una tapa que haya sido provista junto con la válvula del tanque de gas propano. Si utiliza otro tipo de tapa o tapón, podría haber filtraciones de propano.
  - a. No almacene un cilindro de gas propano de repuesto debajo de este equipo o cerca de él.
  - b. Nunca llene un cilindro de gas propano por encima del 80% de su capacidad.
  - c. Si no respeta las indicaciones de los puntos (a) y (b) podría provocar un incendio que derive en lesiones graves o la muerte.
- Los cilindros de gas propano solo deben ser llenados por un distribuidor de gas propano certificado.
- El regulador de presión está ajustado en 11 pulgadas de columna de agua (presión).
- La presión de gas de entrada máxima para este equipo es de 14 pulgadas de columna de agua (presión).
- Nunca intente conectar este equipo a un sistema de gas propano autónomo de un cámper, una casa rodante o una casa.
- Utilice siempre el conjunto de manguera y regulador de presión que recibió con el equipo para conectar el cilindro de gas propano. Nunca conecte este equipo a un suministro de gas propano sin regular. Comuníquese con Real Flame al 1-800-654-1704 para solicitar soporte técnico.
- Ajuste el tanque de gas de 1 libra a mano. Nunca utilice herramientas. Si el tanque no se abre o cierra a mano, no intente repararlo. Comuníquese con un Técnico gasista certificado. Si lo fuerza o intenta repararlo por su cuenta, podría provocar un incendio o una explosión.

## Conexión del cilindro de gas:

Antes de conectarlo, asegúrese de que no haya basura en el cabezal del cilindro de gas, la válvula reguladora, el quemador o los orificios del quemador. Conecte el tornillo en el tanque de 1 libra de gas propano y ajústelo manualmente. Desconecte siempre el cilindro de propano cuando no esté utilizando la unidad. NO obstruya el flujo de aire de combustión o de ventilación hacia el quemador.

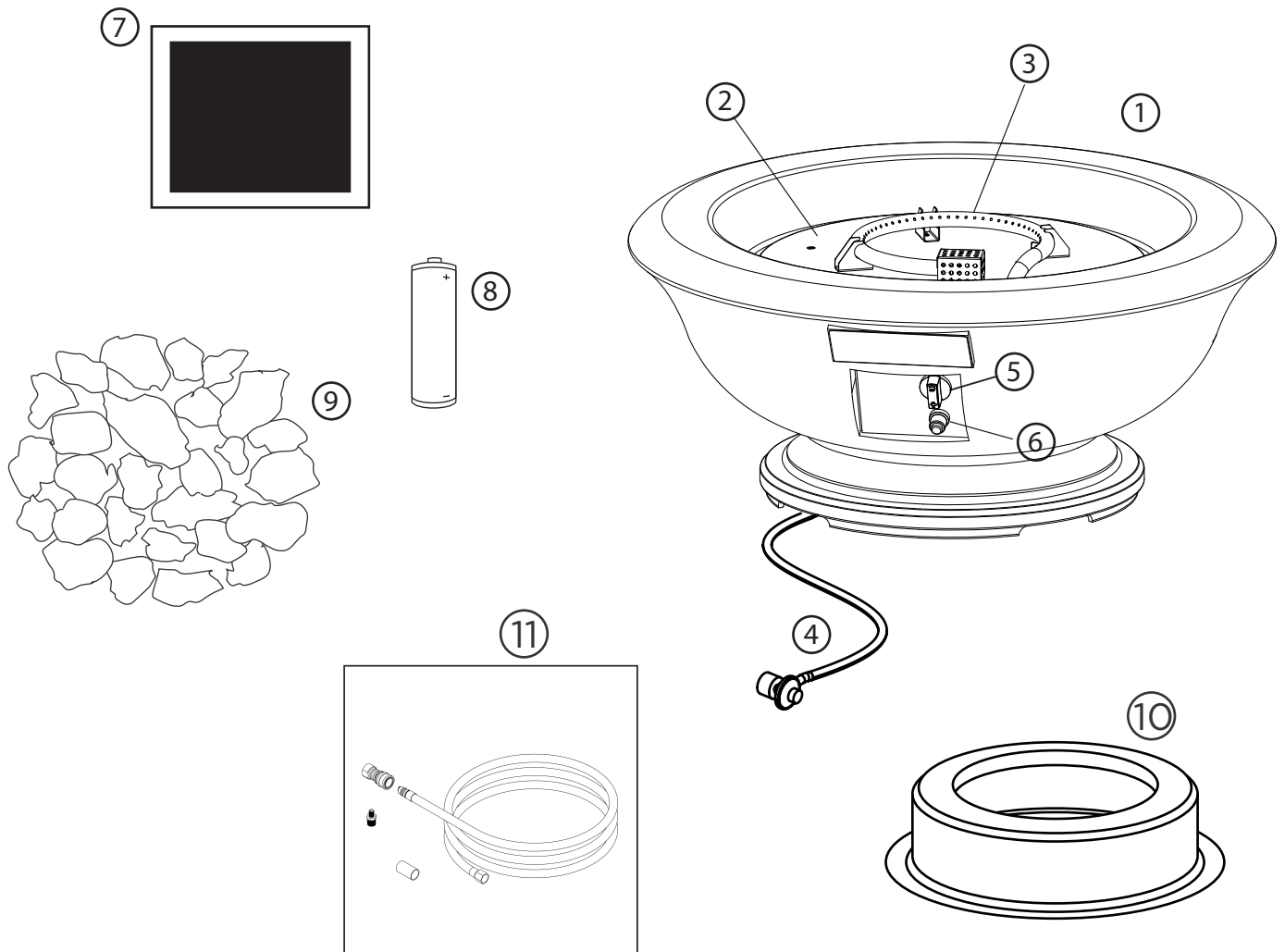


# ARMADO Y REEMPLAZO DE LA MANGUERA Y EL REGULADOR

- 1.** Este hogar viene equipado con una manguera y un regulador de gas LP estándar, que incluye la conexión lateral del artefacto a un Dispositivo de conexión de cilindros CGA Núm. 791. Debe utilizar la manguera y el regulador de gas LP que recibió con esta mesa de fuego. Si es necesario reemplazar la manguera y el regulador, utilice únicamente los especificados por el fabricante.
  - a.** La conexión CGA Núm. 791 incorpora un dispositivo limitador de flujo que actúa como un limitador del flujo de gas en caso de que se detecte una pérdida entre el regulador y la válvula del quemador.
  - b.** Si la válvula del quemador se abre antes de abrir la válvula de servicio del cilindro de gas LP, la conexión considerará el libre flujo de gas como una pérdida.
  - c.** La función de seguridad de la conexión reducirá el flujo de gas desde el regulador hasta el artefacto a un nivel mínimo.
  - d.** Asegúrese de que la válvula de control del quemador esté cerrada antes de abrir la válvula de servicio del cilindro de gas LP para no activar erróneamente el dispositivo limitador de flujo de la conexión.
  - e.** Si el dispositivo limitador de flujo de la conexión se activa por error, cierre la válvula de servicio del cilindro de gas LP y la válvula del quemador. Espere 10 segundos para permitir que el dispositivo se desactive, abra la válvula de servicio del cilindro y abra la válvula del quemador. A continuación, encienda el artefacto siguiendo las instrucciones de encendido.
- 2.** Asegúrese de proteger la manguera de cualquier superficie caliente. El contacto de la manguera con cualquier superficie caliente constituye un grave peligro.
- 3.** Mantenimiento regular de la manguera y el regulador:
  - a.** Inspeccione la manguera antes de cada uso de la mesa. Si la manguera presenta señales de grietas, abrasiones, cortes o daños de cualquier tipo, no utilice este artefacto. Repare o reemplace la manguera, según sea necesario, antes de usar este artefacto. Si necesita asistencia para reparar o reemplazar la manguera, comuníquese con Real Flame al 1-800-654-1704. Utilice exclusivamente piezas de repuesto adquiridas al fabricante.
  - b.** Inspeccione el sello que se encuentra dentro de la válvula de servicio CGA Núm. 791 del cilindro de gas cada vez que reemplace el cilindro o, como mínimo, una vez al año. Si hay alguna señal de daños, haga reemplazar el sello por un gasista certificado antes de poner en funcionamiento este artefacto.
- 4.** No utilice herramientas para ajustar la conexión CGA Núm. 791 en la válvula de servicio del cilindro de gas LP. Realice el ajuste a mano.
- 5.** Tenga cuidado de no cruzar las roscas de la conexión al ajustar la conexión CGA Núm. 791 en la válvula de servicio del cilindro de gas LP.
- 6.** Siempre debe realizar una “prueba de filtraciones” después de ajustar la conexión a la válvula de servicio del cilindro de gas LP. (Consulte la sección “Verificación de filtraciones” de este manual, en la página 10).
- 7.** Para conectar la manguera y el regulador del tanque LP, consulte la sección “Conexión” de la sección del cilindro de gas LP, más atrás.

# LISTA DE PIEZAS

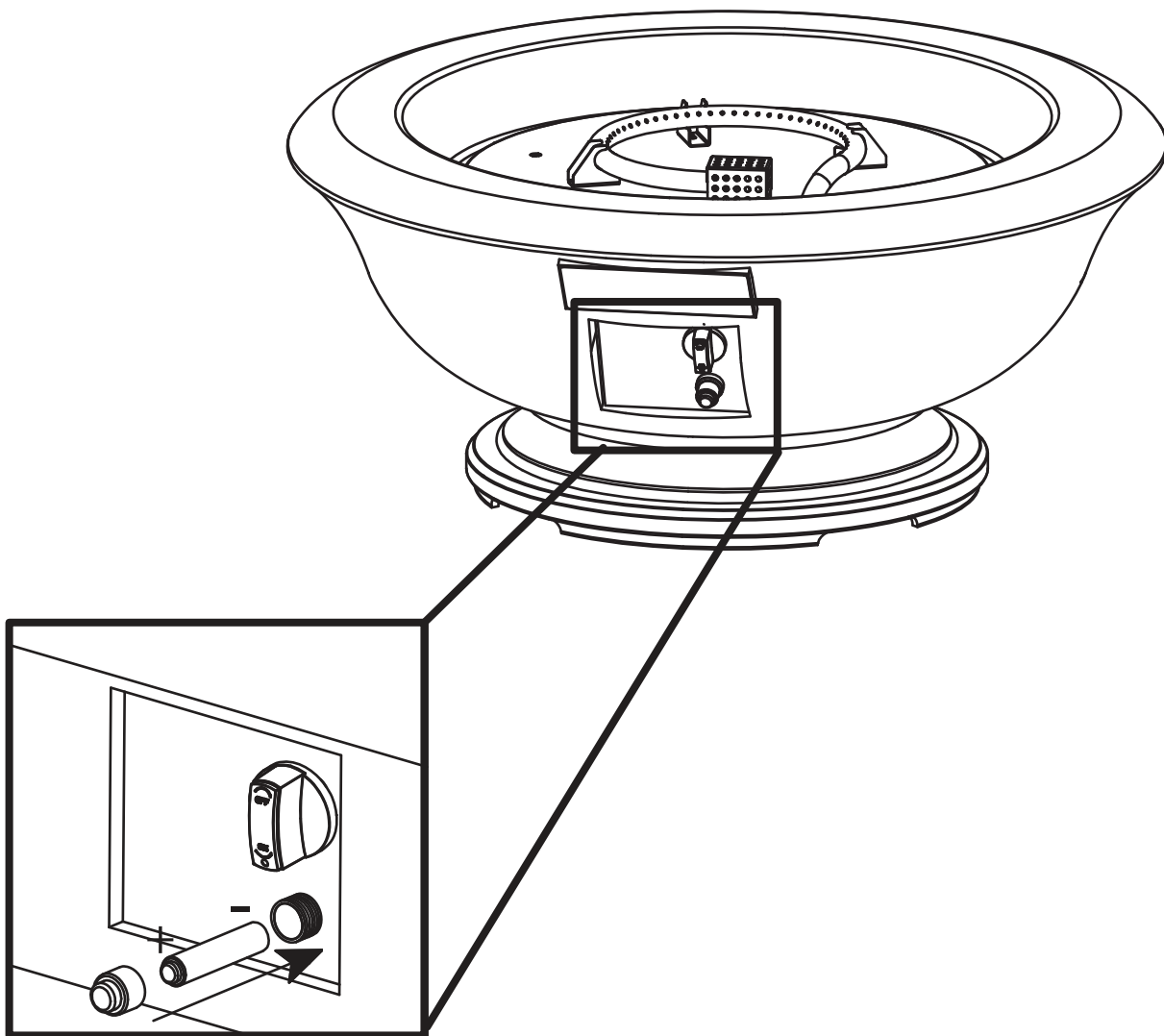
①	Fogón para madera	N/A	1
②	Panel de quemadura	118380002	1
③	Tubo del quemador	100140003	1
④	Manguera LP y Regulador	05600007	1
⑤	Botón de control	10040U000	1
⑥	Encendedor	05600013	1
⑦	Cobertura de protección	118380007	1
⑧	Batería	N/A	1
⑨	Rocas de lava	05603408	4Caja
⑩	Tanque Asiento	05600005	1
⑪	Kit de conversión de GN	00023103	1



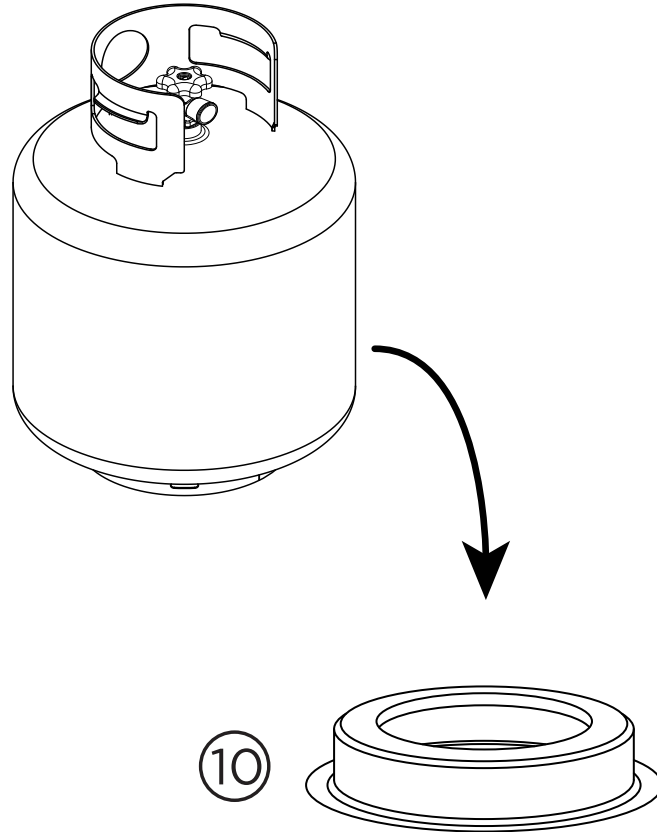
# INSTRUCCIONES DE ENSAMBLAJE

1

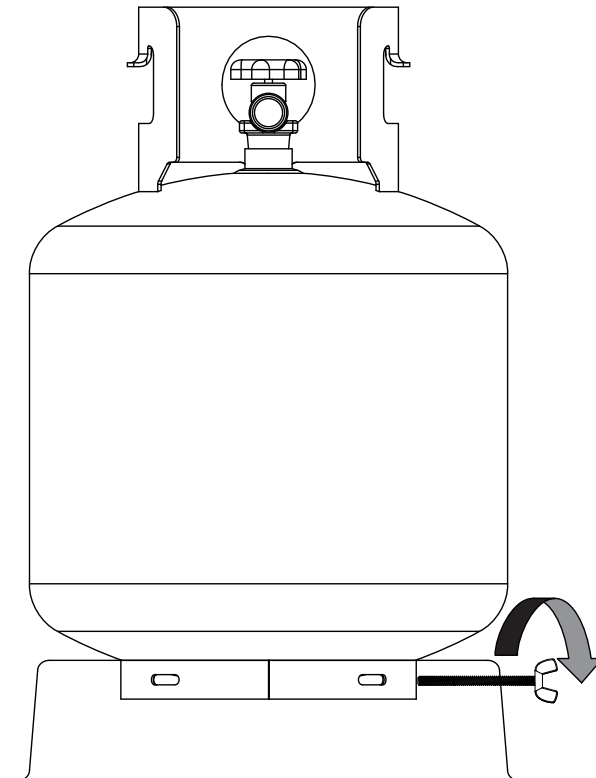
Instale la batería AAA como se ilustra en el diagrama que se incluye a continuación.



1. Coloque la base del tanque en el suelo y apoye un tanque de propano de 20 libras sobre ella.



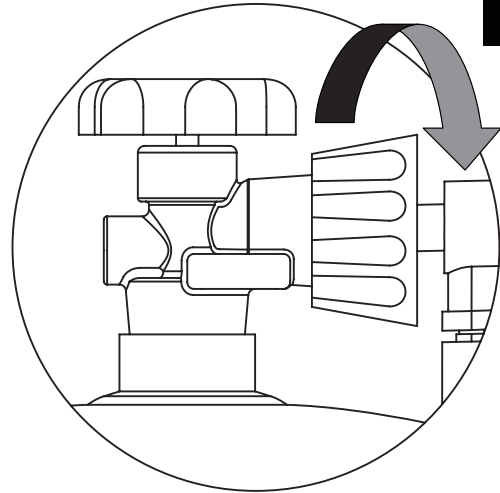
2. Ajuste el tornillo del costado de la base del tanque para sujetar el tanque de propano.



### Conexión del tanque de gas de propano

Asegúrese de que no haya basura en el cabezal del tanque de gas propano ni en el cabezal de la válvula del regulador. Asegúrese de revisar también los orificios del quemador y el quemador.

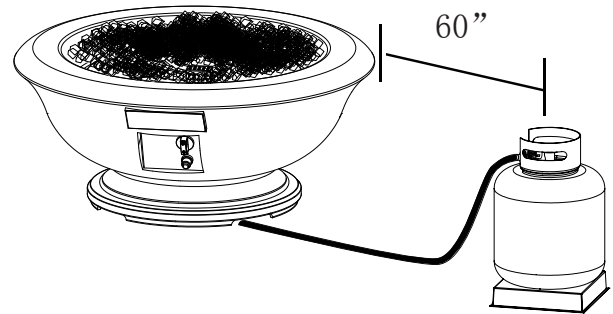
Conecte la línea de gas al tanque girando la perilla en el sentido de las agujas del reloj. Realice el ajuste a mano.



### WARNING

Coloque el tanque de LP a 60 pulgadas de distancia de la mesa de fuego.

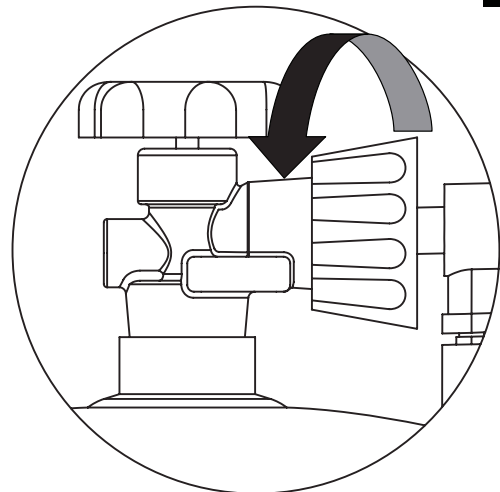
Mire su paso mientras se mueve entre el tanque y la mesa de fuego. La manguera crea un peligro de tropiezo.



### Desconexión del tanque de gas de propano

Asegúrese de que la válvula del tanque de gas LP esté cerrada.

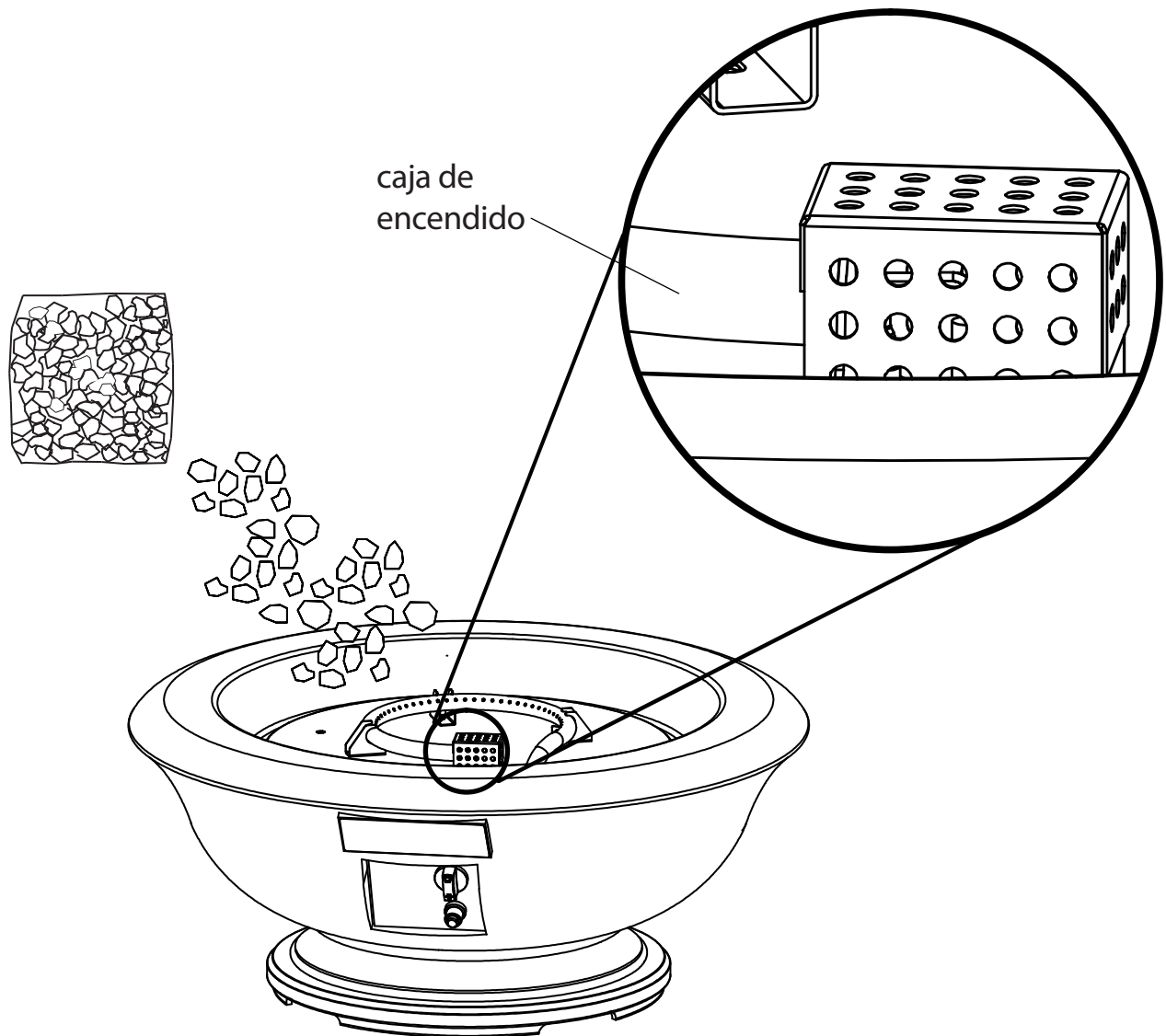
Desconéctelo girando la perilla en el sentido opuesto al de las agujas del reloj hasta que se separe de la válvula.



# INSTRUCCIONES DE ENSAMBLAJE

# 5

Coloque vidrio triturado manualmente. NO vacíe la bolsa en la bandeja para evitar tapan el quemador con polvillo. Coloque las vidrio triturado a un nivel de aproximadamente 1 pulgada por encima del quemador. Asegúrese de no bloquear el encendedor con vidrio triturado para garantizar una correcta ignición.



# INSTRUCCIONES PREVIAS AL USO

**⚠️ ADVERTENCIA** Antes de usar esta mesa de fuego para exterior, asegúrese de haber leído, comprendido y estar siguiendo toda la información que se incluye en la sección de Información importante de seguridad de este manual. Si no sigue estas instrucciones puede provocar la muerte, lesiones graves o daños a la propiedad.

Antes de poner en funcionamiento la mesa de fuego, verifique la manguera y la válvula para ver si hay mucha abrasión o desgaste.

## CONEXIONES DEL QUEMADOR

Asegúrese de que las conexiones de la manguera y la válvula del regulador estén bien sujetas al quemador y el tanque. Si learnaron la unidad, compruebe visualmente la conexión entre el caño y el orificio del quemador.

**⚠️ ADVERTENCIA** Si no inspecciona esta conexión o no sigue estas instrucciones podría provocar un incendio o una explosión, lo cual podría provocar la muerte, lesiones graves o daño a la propiedad.

Consulte el diagrama para ver cómo es una instalación correcta. Si el caño del quemador no está al ras del orificio, comuníquese con Real Flame al 1-800-654-1704 para obtener asistencia.

## Detección de filtraciones

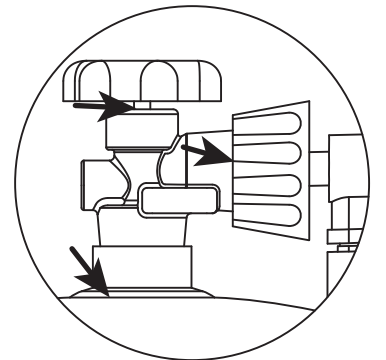
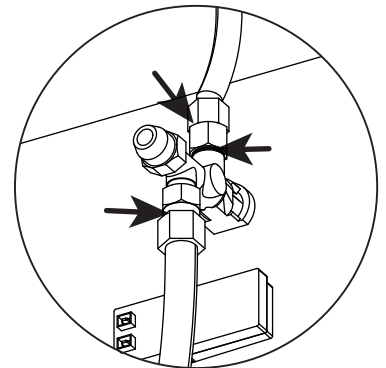
Prepare una solución para detectar filtraciones mezclando una parte de lavavajillas con tres partes de agua en una botella rociadora. Asegúrese de que la perilla de control esté en la posición cerrada. A continuación, abra la válvula del tanque de gas LP.

Rocíe la solución sobre las conexiones de las válvulas y preste especial atención a las zonas que indican las flechas.

Si aparece alguna burbuja, cierre el tanque de gas, vuelva a realizar las conexiones y realice nuevamente la prueba. Si continúa viendo burbujas después de varios intentos, desconecte el gas y comuníquese con Real Flame al 1-800-654-1704 para solicitar asistencia.

Si una vez transcurrido un minuto, no hay ninguna burbuja, retire la solución y continúe.

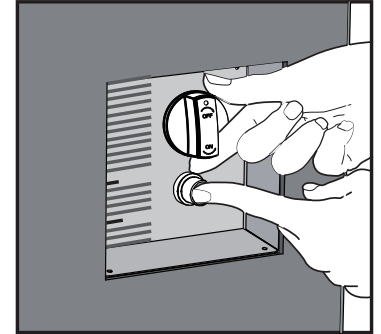
Verifique si hay filtraciones en estos lugares.



# INSTRUCCIONES DE ENCENDIDO

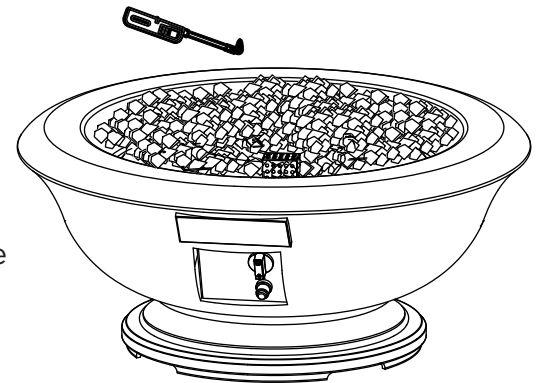
## Uso del encendedor

1. Lea y comprenda todas las instrucciones de operación antes de encender este equipo. Antes de encenderlo, asegúrese de haber retirado toda la película de protección de la bandeja del quemador de acero inoxidable.
2. La perilla de control del quemador debe estar en la posición de apagado (OFF).
3. Conecte el cilindro de propano (consulte las páginas anteriores).
4. Abra lentamente la válvula del cilindro de gas LP.
5. Empuje y mantenga presionado el botón encendedor para generar chispas.
6. Mientras sostiene el botón del encendedor con una mano, utilice la otra mano para girar la perilla de control a la posición de encendido y encender el quemador.
7. Mantenga presionada la perilla de control del quemador entre 15 y 30 segundos después del encendido.
8. Si después de 30 segundos, el equipo no enciende, gire la perilla de control a la posición "OFF" y cierre la llave de gas. Espere 5 minutos, a que se haya ventilado el gas y vuelva a realizar el procedimiento de encendido.
9. Después de encender esta unidad, gire la perilla de control del quemador en el sentido horario al ajuste "bajo". Observe la llama y asegúrese de que todos los orificios del quemador estén encendidos. La altura de la llama no debe superar las 13 pulgadas (18 cm).
10. Ajuste la llama a la altura deseada con la perilla de control.



## Uso de un fósforo o un encendedor largos

1. Antes de encender la columna, utilice una pala para mover las piedras volcánicas y acceder al quemador.
2. Con guantes resistentes al calor, coloque el encendedor o el fósforo largo cerca del costado del quemador. NO se incline sobre la mesa de fuego al encenderla.
3. Gire la perilla de control en el sentido opuesto al de las agujas del reloj para encender la columna.
4. Retire el fósforo o el encendedor.
5. Una vez que haya encendido el artefacto, utilice una pala o guantes resistentes al calor para mover cuidadosamente las piedras volcánicas a la posición adecuada y vuelva a colocar el panel de vidrio.
6. Después de encender esta unidad, gire la perilla de control del quemador en el sentido horario al ajuste "bajo". Observe la llama y asegúrese de que todos los orificios del quemador estén encendidos. La altura de la llama no debe superar las 13 pulgadas (18 cm).
7. Ajuste la llama a la altura deseada con la perilla de control.



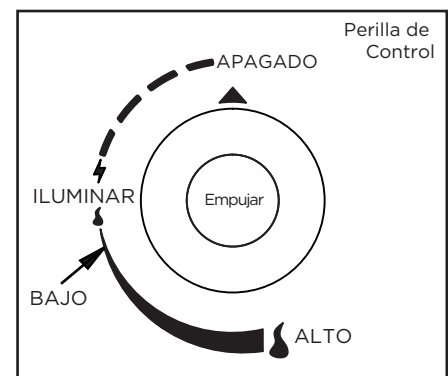
### ⚠ ADVERTENCIA

Cuando utilice este método para encender la mesa de fuego, utilice guantes resistentes al calor y siga las instrucciones paso a paso. Si no lo hace podría sufrir lesiones graves.

### ⚠ ADVERTENCIA

Si la llama del quemador se apaga durante esta operación, gire la perilla de control inmediatamente a la posición "OFF" y deje que el gas se ventile durante al menos 5 minutos antes de intentar encender la unidad nuevamente.

**Consulte las páginas de solución de problemas para recibir más asistencia. Comience por la página 18.**






# CUIDADO Y MANTENIMIENTO

## Inspección

Esta mesa de fuego para exterior se debe inspeccionar de manera regular para asegurarse de que sea seguro utilizar el producto y extender su vida útil.

 **ADVERTENCIA** NO inspeccione esta unidad para exterior hasta que el fuego se haya apagado POR COMPLETO.

1. Compruebe el quemador para asegurarse de que esté firme en su lugar.
2. Compruebe el tubo de Venturi para asegurarse de que esté despejado, sin insectos, telas de araña o desperdicios.
3. Compruebe todas las conexiones de gas para ver si hay filtraciones.
4. Compruebe el sistema de encendido para asegurarse de que genere chispas correctamente.
5. Compruebe los componentes en busca de señales de daños, óxido o desgaste excesivo.
6. Si detecta que algún componente está dañado, NO utilice este equipo hasta que haya sido correctamente reparado.

 **ADVERTENCIA** NO altere este artefacto. Es PELIGROSO y anulará la garantía. Si se detecta que una pieza falla, debe reemplazarse por una pieza adecuada, confirmada por el fabricante. Si desea recibir soporte técnico, comuníquese con Real Flame al: 1-800-654-1704.

## Cuidado y limpieza general

Este equipo para exterior se debe limpiar regularmente para asegurarse de que sea seguro utilizarlo y se pueda extender la vida útil del producto.

Nota: después utilizar esta unidad varias veces, es posible que haya una leve decoloración del acabado.

### Mesa

Repase las superficies exteriores con una solución de bicarbonato de sodio y lavavajillas suave. Después, enjuague con agua limpia.

### Acero inoxidable

1. Para la limpieza general, use agua tibia, jabón, amoníaco o detergente y aplíquelo con un paño suave o una esponja.
2. Si hay huellas digitales o manchas, utilice un limpiador 3M para acero inoxidable, Arcal 20, Lac-O-Nu, LuminWash, O’Cedar o brillo para acero inoxidable. Estos productos crearán una capa de barrera para reducir las marcas de huellas dactilares.\*
3. En el caso de manchas rebeldes o decoloración, use un limpiador y pulidor de acero inoxidable de 3M, limpiador concentrado Allchem, Samae, Twinkle, limpiador para cobre Cameo, Liquid Nu Steel o un limpiador para cobre o acero inoxidable Revere. Aplíquelo con un paño suave en la misma dirección que las líneas de pulido.\*

\* El uso de marcas comerciales tiene el único fin de indicar el tipo de limpiador necesario y no constituye una recomendación. La omisión de alguna marca de limpiador no implica que no sea adecuado. Todos los productos se deben utilizar en conformidad con las instrucciones del envase. Almacenamiento

## Almacenamiento

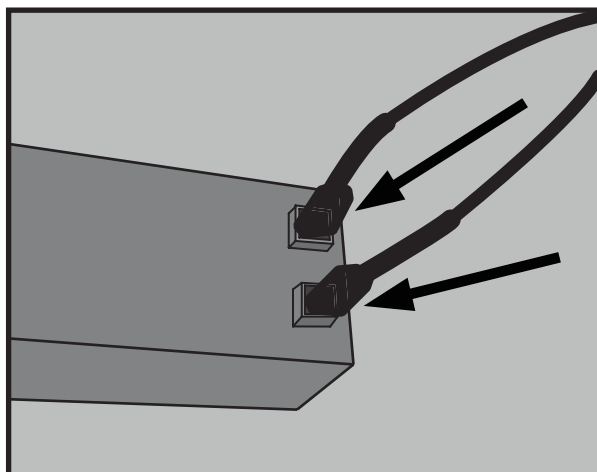
 **ADVERTENCIA** NO mueva ni guarde esta mesa de fuego a menos que el fuego se haya apagado TOTALMENTE y el equipo esté frío al tacto.

1. Cierre la válvula de gas en la conexión del tanque. Retire el tanque y guárdelo en un lugar fresco y seco, al aire libre y alejado de los niños.
2. Retire cuidadosamente el relleno de rocas y almacene los componentes derechos para impedir que se rompan.
3. Cubra SIEMPRE su equipo cuando no lo esté utilizando. Utilice la cubierta que recibió con la unidad.
4. Almacénelo en un lugar fresco y seco, al aire libre y alejado de los niños y las mascotas.

# VERIFICACIÓN DE COMPONENTES DE GAS Y CONEXIONES

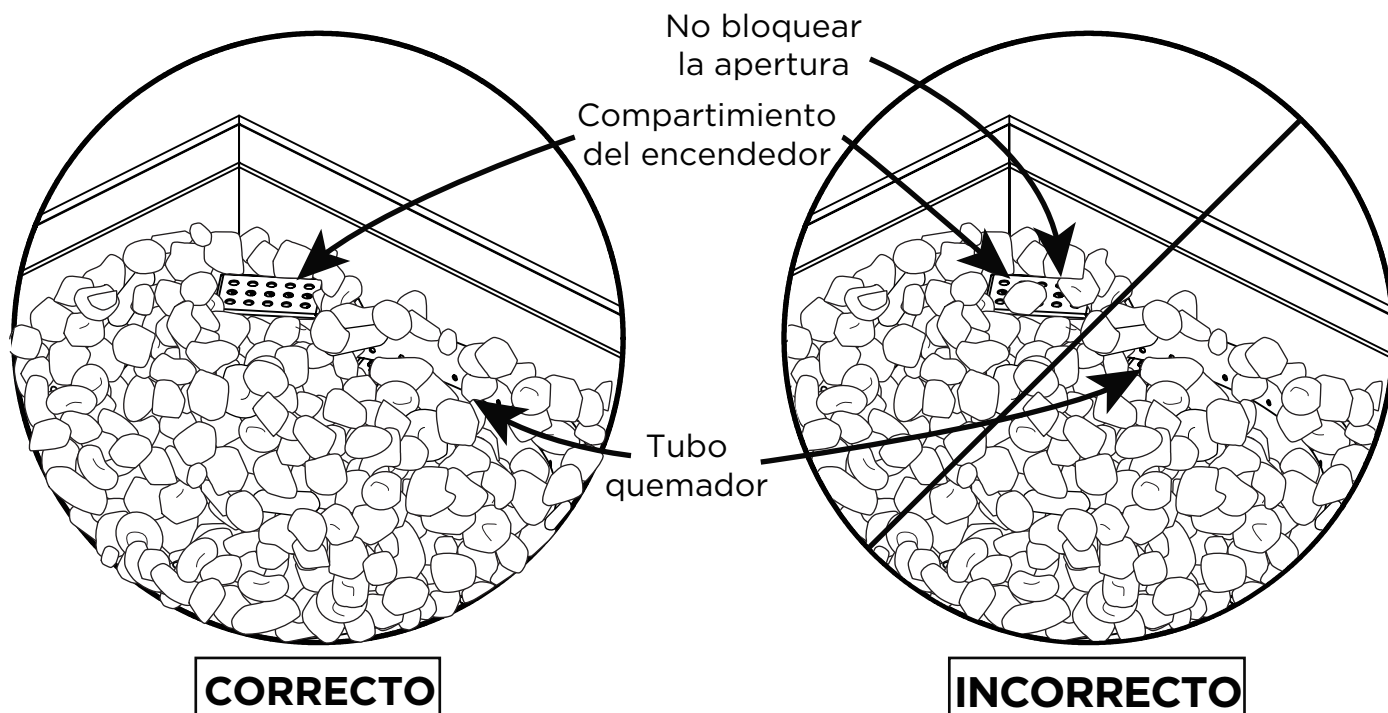
**Si el quemador no se enciende o no permanece encendido, realice las siguientes comprobaciones.**

1. Asegúrese de que el cable del electrodo esté correctamente conectado. Ambos cables del electrodo deben estar totalmente insertados en el encendedor.

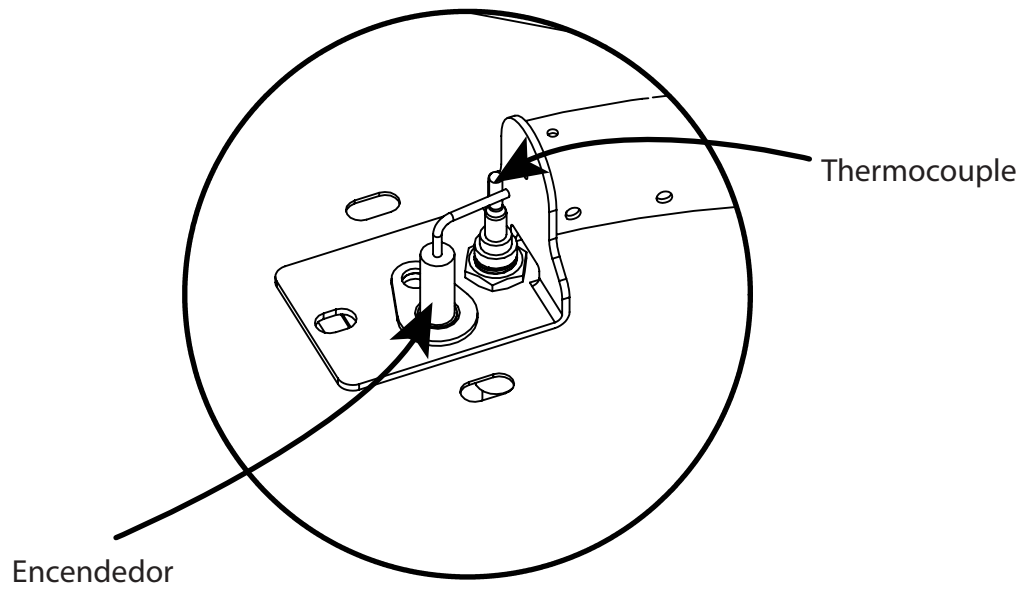


2. Asegúrese de que la carcasa del piloto no presente obstrucciones.

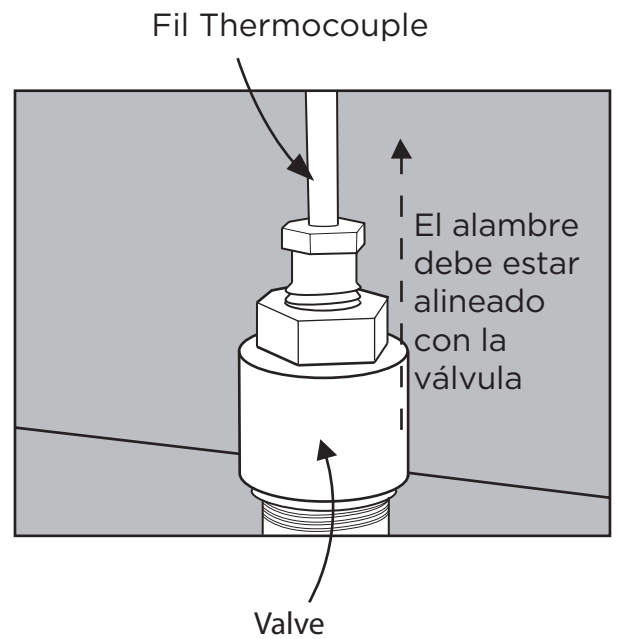
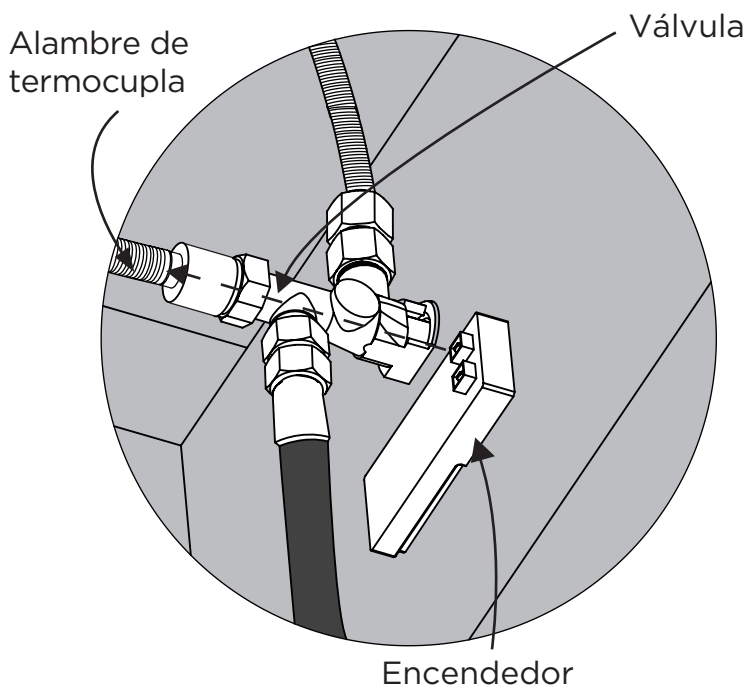
Retire cualquier desperdicio de la parte superior de la carcasa del piloto y asegúrese de que no haya desperdicios entre el chispero, la termocupla y el tubo del quemador.



# VERIFICACIÓN DE COMPONENTES DE GAS Y CONEXIONES



3. Asegúrese de que la punta del encendedor y la termocupla estén ubicados de forma correcta.
- La punta del encendedor debe apuntar hacia la termocupla.
  - La termocupla debe estar ubicada a 5 mm del tubo del quemador.



4. Asegúrese de que el alambre de la termocupla esté ubicado de forma correcta. El alambre de la termocupla debe estar alineado con la válvula.

# SOLUCIÓN DE PROBLEMAS

## Problema: el quemador no se enciende con el encendedor

### **Causa probable 1: El electrodo y los quemadores están húmedos.**

- Séquelos con un paño.

### **Causa probable 2: La batería del encendedor está mal colocada o está descargada.**

- Compruebe que la batería AAA esté correctamente colocada en el encendedor (consulte la página 10) o cambie la batería.

### **Causa probable 3: La punta del chispero está rota o rajada (hace chispas en la rajadura).**

- Comuníquese con Real Flame al 1-800-654-1704 para solicitar soporte técnico.

### **Causa probable 4: El cable está flojo o desconectado.**

- Consulte la página 16, primer paso, para volver a conectar el cable. Comuníquese con Real Flame al 1-800-654-1704.

### **Causa probable 5: El cable está en corto (chispeando) entre el encendedor y el electrodo.**

- Comuníquese con Real Flame al 1-800-654-1704 para solicitar asistencia.

### **Causa probable 6: La punta del encendedor no apunta hacia la termocupla.**

- Consulte la página 16, gire el electrodo para que apunte a la termocupla.

### **Causa probable 7: El encendedor no funciona correctamente.**

- Comuníquese con Real Flame al 1-800-654-1704 para solicitar asistencia.

## Problema: El quemador no se enciende con el fósforo

### **Causa probable 1: No hay flujo de gas.**

- Compruebe si el tanque de gas de propano está vacío. Si está vacío, reemplácelo y recárguelo. Si el tanque de propano no está vacío, consulte el Problema: "Caída repentina del flujo de gas" en la página siguiente.

### **Causa probable 2: La tuerca de acoplamiento y el regulador no están bien conectados.**

- Gire la tuerca de acoplamiento aproximadamente media a tres cuartos de vuelta, hasta que sienta que se detiene. No utilice herramientas, ajuste manualmente.

### **Causa probable 3: Obstrucción del flujo de gas.**

- Compruebe si la manguera está estrangulada.

### **Causa probable 4: Telas de araña o nidos de insectos en el tubo de Venturi.**

- Limpie el tubo de Venturi.

### **Causa probable 5: Los orificios del quemador están bloqueados u obstruidos.**

- Consulte el Problema: "Patrón irregular de la llama" en la página siguiente. Limpie los orificios del quemador, tal como se describe allí.

## Problema: La mesa de fuego emite mucho humo negro cuando está en uso

### **Causa probable 1: La manguera de gas del hogar está estrangulada.**

- Asegúrese de que la manguera no esté estrangulada entre la mesa de fuego y la fuente de gas.

### **Causa probable 2: La llama está obstruida en los orificios del quemador.**

- Asegúrese de que los orificios de salida de gas del quemador no estén tapados por rocas volcánicas para que la llama pueda fluir naturalmente.

Si desea recibir soporte técnico, comuníquese con Real Flame al: 1-800-654-1704

# SOLUCIÓN DE PROBLEMAS

## **Problema: Caída repentina del flujo de gas o llama de menor altura**

### **Causa probable 1: Falta de gas.**

- Comuníquese con la compañía local de gas.

### **Causa probable 2: Es posible que se haya activado el dispositivo de seguridad para impedir el flujo excesivo de gas.**

- Gire la perilla de control a la posición apagado, espere 30 segundos y encienda el equipo. Si las llamas continúan siendo demasiado bajas, reajuste el dispositivo de seguridad que impide el flujo excesivo, girando la perilla de control hasta la posición apagado y desconectando la válvula del tanque de gas propano. Desconecte el regulador. Gire la perilla de control del quemador a la posición alta. Espere un minuto. Gire la perilla de control del quemador a la posición apagado. Vuelva a conectar el regulador y lleve a cabo una verificación de filtraciones en la conexión del tanque. Gire lentamente la válvula del tanque de gas propano a la posición de abertura, espere 30 segundos y, a continuación, encienda la mesa.

## **Problema: Patrón irregular de la llama, la llama no está presente en toda la longitud del quemador**

### **Causa probable: Los orificios del quemador están bloqueados u obstruidos.**

- Limpie los orificios del quemador. Hágalo insertando un ganchillo de papel en cada orificio del quemador para asegurarse de que no estén tapados.

ADVERTENCIA: Asegúrese de que el quemador no esté encendido y que el abastecimiento de gas esté correctamente desconectado. Deje enfriar la unidad durante 15 minutos antes de tocarla.

## **Problema: La llama se apaga**

### **Causa probable 1: Viento fuerte o remolinos de viento.**

- Aumente la llama a la posición alta.

### **Causa probable 2: Poco gas propano.**

- Cambie el tanque de gas propano o recárguelo.

### **Causa probable 3: La válvula de exceso de flujo está activada.**

- Consulte el Problema: "Caída repentina del flujo de gas"

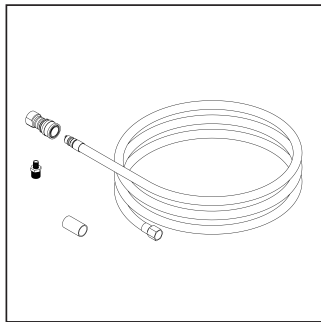
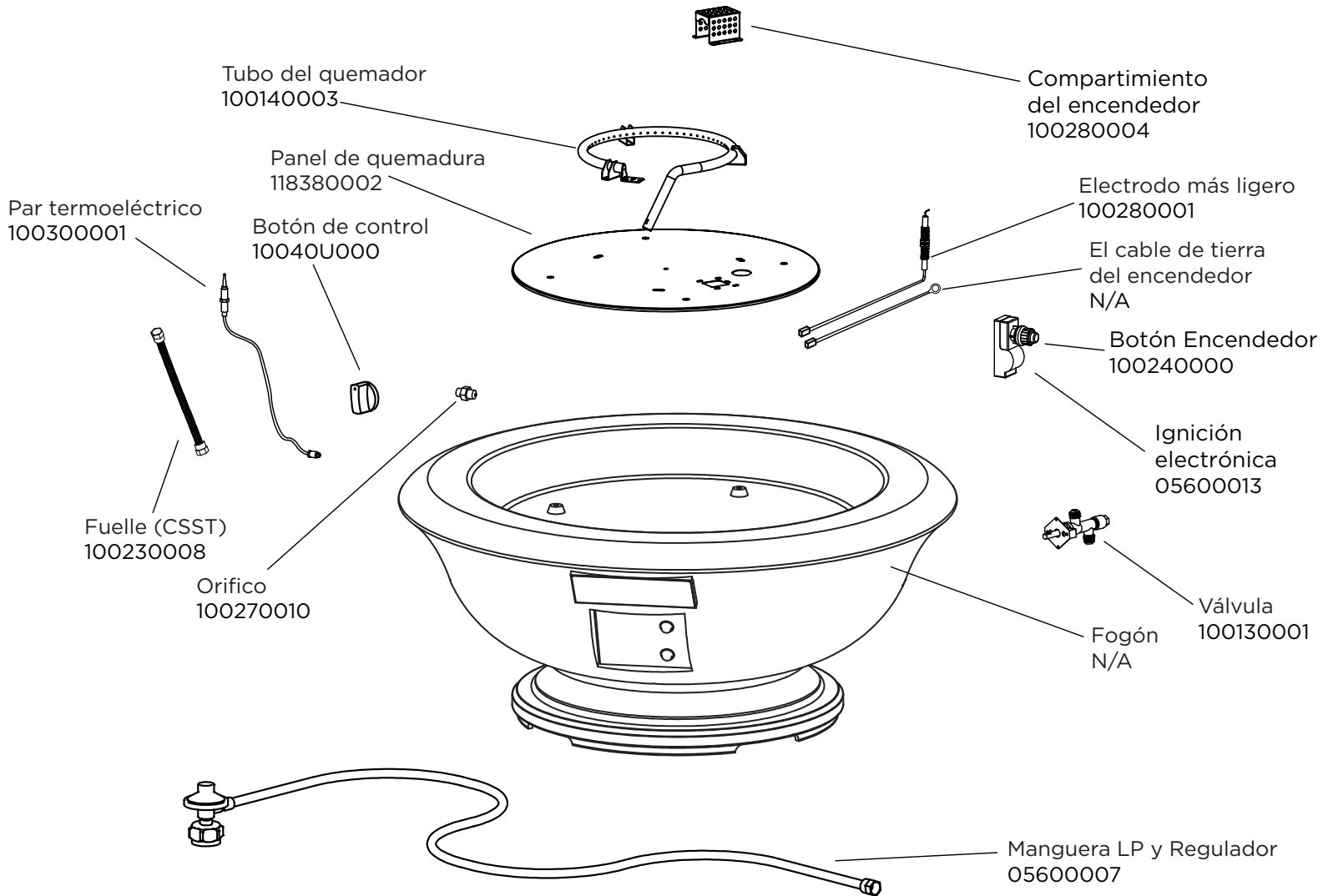
## **Problema: La llama parece perder calor en clima frío: la temperatura es inferior a 50 °F**

### **Causa probable 1: Se ha acumulado hielo en la parte exterior del tanque de gas porque el proceso de vaporización es demasiado bajo.**

- Gire la perilla de control y el tanque de gas propano a la posición apagado. Cambie el tanque de gas por uno de repuesto y continúe con el fuego. Conserve el tanque de gas propano de repuesto en un lugar correctamente ventilado y alejado de los niños.

**Si estos pasos de resolución de problemas no permiten resolver el inconveniente, comuníquese con Real Flame al: 1-800-654-1704**

# LISTA DE PIEZAS TÉCNICAS



Kit de conversión de gas natural  
00023103

# POLÍTICAS DE DEVOLUCIÓN Y GARANTÍA

## **Garantía**

Real Flame® Company garantiza los chimeneas de gas Real Flame y sus accesorios están libres de defectos en condiciones de uso normal por un período de 1 año desde la fecha de compra y los problemas de acabado defectuosas por un período de 1 año a partir de la fecha de compra. En caso de que surjan estos defectos, Real Flame, a su sola discreción, reemplazará el producto defectuoso o reembolsará el dinero abonado por el producto. Éste es el único recurso y Real Flame niega cualquier otra garantía, incluidas las garantías implícitas de comercialización o aptitud para un fin determinado. Asimismo, Real Flame no será responsable por los daños resultantes que superen el precio de compra del producto sobre el que se basa la responsabilidad.

## **Política de devolución**

Puede devolver la compra dentro de los 90 días de haberla recibido. No se realizarán reembolsos en el caso de devoluciones incompletas o no autorizadas. Todos los productos devueltos deben estar totalmente completos, correctamente empacados en su empaque original y en condiciones para ser puestos nuevamente a la venta. No se podrán devolver productos que hayan sido ensamblados o modificados. Se deben devolver todos los artículos en conjunto, es decir que todos los elementos incluidos en el empaque se deben devolver juntos. No se realizarán devoluciones o cambios de elementos discontinuados. Para comenzar el proceso de devolución, comuníquese con la tienda o la compañía donde adquirió su Real Flame.

## **Piezas de reemplazo**

Si se perdió o se dañó alguna pieza durante el envío, puede solicitar un reemplazo. No hay piezas de repuesto para todas las unidades y éstas se entregan únicamente a discreción de Real Flame. Evaluaremos todos los daños y encontraremos una solución, que podría incluir el envío de un repuesto. No hay repuestos para elementos discontinuados o productos vueltos a empacar (cajas abiertas). Comuníquese con el Servicio de atención al cliente del Real Flame al 800-654-1704 para solicitar piezas de repuesto antes de devolver el artículo dañado. Cuando se comunique con el Servicio de atención al cliente, debe tener a su alcance la siguiente información (puede encontrarla en el manual de instrucciones).

- Número de modelo del artículo
- Número de pieza de 4 a 8 dígitos
- Número de código del lote
- Domicilio de entrega
- Es posible que se le solicite una fotografía del artículo dañado. Las fotografías se deben enviar a: [custserv@realflame.com](mailto:custserv@realflame.com)

## **Recepción de un pedido incorrecto**

Si recibió un artículo distinto del solicitado, comuníquese con el Servicio de atención al cliente de Real Flame al 800-654-1704, dentro de las 48 horas de haberlo recibido.

Consulte [www.Realflame.com](http://www.Realflame.com) para conocer nuestras instrucciones y políticas de devolución completas.

Real Flame®  
7800 Northwestern Ave.  
Racine, WI 53406

Customer Service: 1-800-654-1704 in USA  
Service à la clientèle: 1-800-363-6443 in Canada  
[custserv@realflame.com](mailto:custserv@realflame.com)