

TUB FILLER WITH DIVERTER, HANDSHOWER AND SHOWERHEAD

Cat. No.
4062



Features:

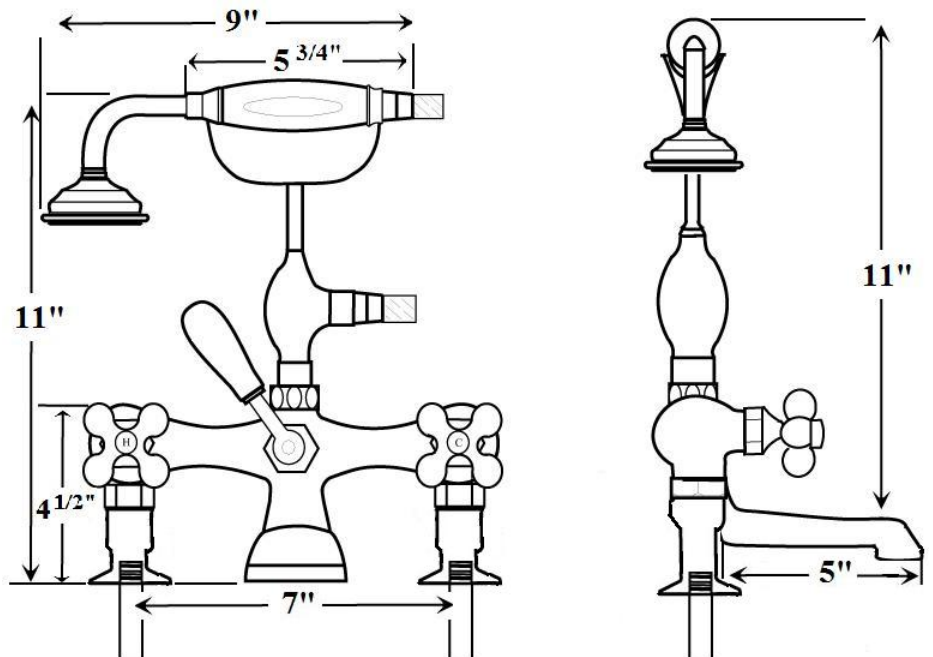
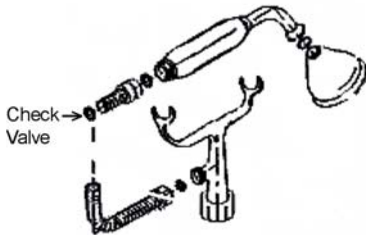
- ▶ Elephant Spout
- ▶ Telephone Style Handshower
- ▶ Backflow Preventor in Handshower
- ▶ Includes Sunflower Showerhead
- ▶ Includes 6" Elbow Mounts
- ▶ Compression Stems - 1/4 turn
- ▶ Available with Porcelain Lever (4062-PL) or Metal Cross (4062-MC) Handles
- ▶ To Be Used with Straight Bath Supplies, Part #5577
- ▶ For Deck Mounting on Acrylic or Cast Iron Tubs

Finishes:

- BP** Polished Brass
- CP** Polished Chrome
- PN** Polished Nickel
- SN** Brushed Nickel
- ORB** Oil Rubbed Bronze

Riser Height: 62"
Hose Length: 59"
Centers: 7"
Spout Length: 5"

7"
5"



Dimensions are nominal and may vary. Dimensions and specifications subject to change without notice.