

# GDF630PGM/PMM/PSM/PFM

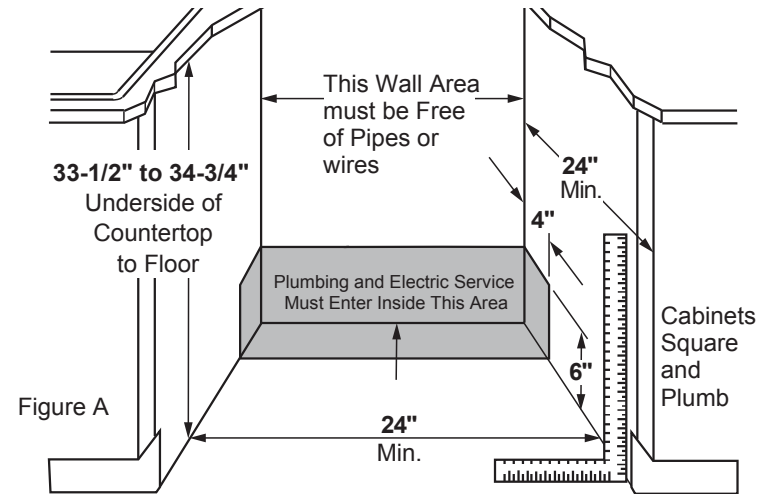
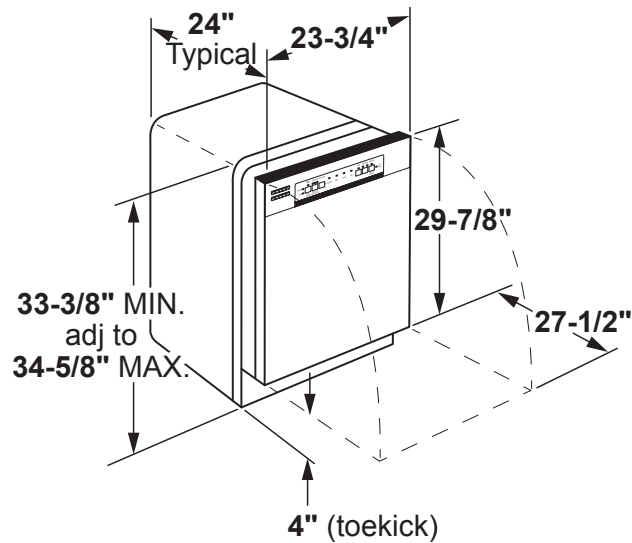
## GE® Dishwasher with Front Controls

### DIMENSIONS AND INSTALLATION INFORMATION (IN INCHES)

#### ELECTRICAL RATING

|                                    |         |
|------------------------------------|---------|
| Voltage AC.....                    | 120     |
| Hertz.....                         | 60      |
| Total connected load amperage..... | 7.1     |
| Calrod® heater watts.....          | 800/500 |

For use on adequately wired 120-volt, 15-amp circuit having 2-wire service with a separate ground wire. This appliance must be grounded for safe operation.



For answers to your Monogram, GE Café™ Series, GE Profile™ Series or GE Appliances product questions, visit our website at [geappliances.com](http://geappliances.com) or call GE Answer Center® Service, 800.626.2000.



Listed by Underwriters Laboratories



As an ENERGY STAR® partner, GE has determined that this product meets the ENERGY STAR guidelines for energy efficiency.

# GDF630PGM/PMM/PSM/PFM

## GE® Dishwasher with Front Controls

### FEATURES AND BENEFITS

3rd Rack – Easily clean an entire flatware collection, knives and small utensils with an additional rack across the top of the dishwasher

Dry Boost – Gets hard-to-dry items up to 3 times dryer than standard dry cycles

4 Bottle Wash Jets – Clean hard-to-reach areas inside tall items with up to 4 dedicated jets integrated into the upper rack that shower water deep inside for the ultimate clean

Wash Zones – Wash a true half-load in either the upper or lower rack without sacrificing cycles and options available on a full wash

Three-level 600 Series Wash System – Get full wash coverage from three pressurized wash zones.

Steam Prewash – Loosens tough soils before any cycle virtually eliminating the need for soaking or pre-rinsing dishes

Dedicated Silverware Jets – Get table-ready silverware thanks to powerful jets that focus on silverware baskets

Piranha Hard Food Disposer – To ensure consistently clean items, this stainless steel blade rotates at 3,600 RPM to pulverize food particles and helps to prevent large particles from clogging the wash arms

Adjustable Upper Rack – Fitting plates up to 10½” and other tall items in the upper rack is possible with an adjustment

1 Hr Wash – Enjoy a quality clean when you’re short on time

dBA50

Model GDF630PSMSS – Stainless steel

Model GDF630PMMES – Slate

Model GDF630PGMBB – Black on Black

Model GDF630PGMWW – White on white

Model GDF630PFMDS – Black Slate

