



POLYWOOD

Assembly Instructions



Having Trouble?

If you have questions or concerns regarding assembly instructions or missing parts, please contact us at (833) 665-6300 or email support@polywoodoutdoor.com



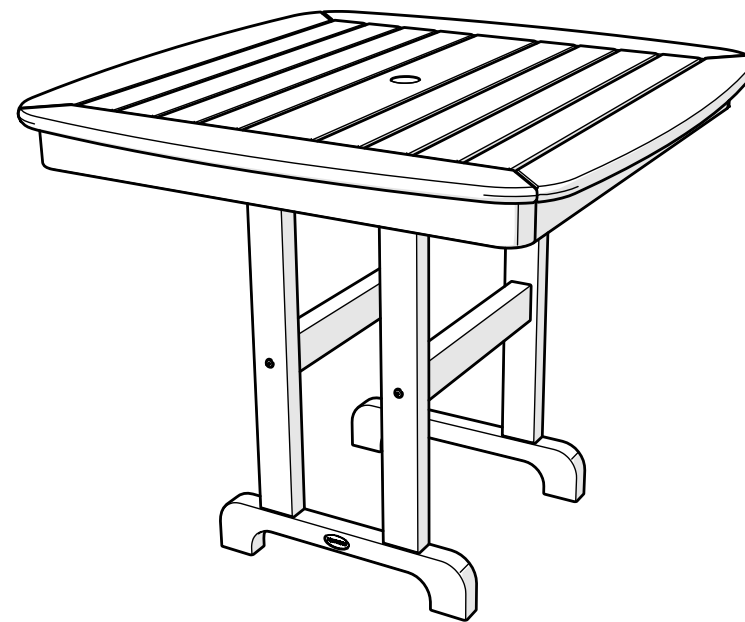
Share your space

We love to see where our furniture ends up — snap a pic and share it on Instagram or Facebook!
#polywood



Watch & Learn

For assembly videos and more, visit youtube.com/polywood



N37
Nautical 37" Table

20-Year Warranty

To view our full warranty, please visit polywoodoutdoor.com/warranty

Easily register your product using one of the methods below:

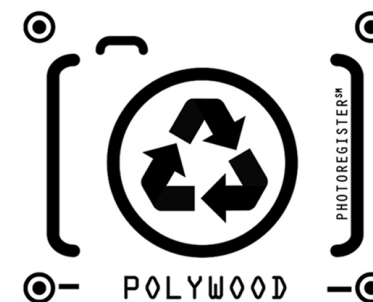
Text POLYWOOD to 71403
Receive a link to register online

— or —

Register on our website
register.polywoodoutdoor.com

— or —

Send a Picture
Take a photo of the icon below and text it to 71403 (US only)



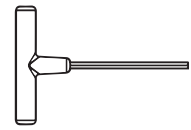
Cleaning Tips

Even POLYWOOD gets dirty — here are some ways to help keep it clean:

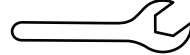
For a quick clean:
Simply wipe down with soap and water.

For a deeper clean:
You'll need:
» 1/3 bleach and 2/3 water solution
» clean cloth
» soft bristle brush
Wipe on solution with your cloth and let it sit on the lumber for a few minutes (this will not affect the color). Then, loosen any dirt and debris that may catch in surface grooves with a soft bristle brush; hose down to rinse.

TOOLS

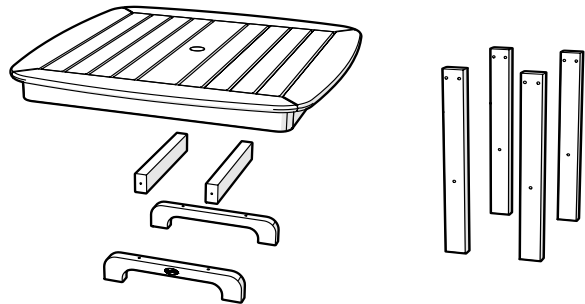


4mm T-handle hex key (included)

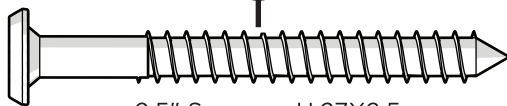


3/8" wrench (not included)

PARTS

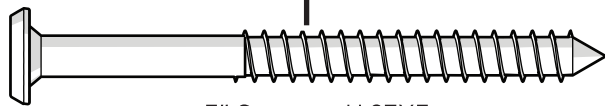


A x4



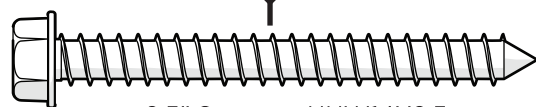
2.5" Screw — H.27X2.5

B x4



3" Screw — H.27X3

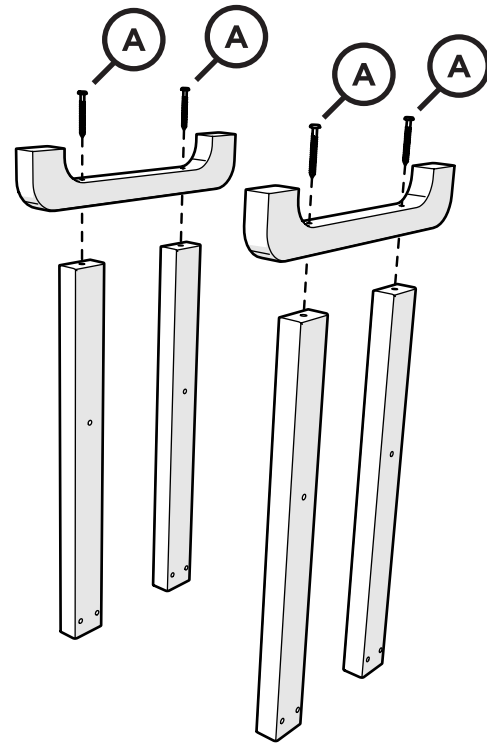
C x8



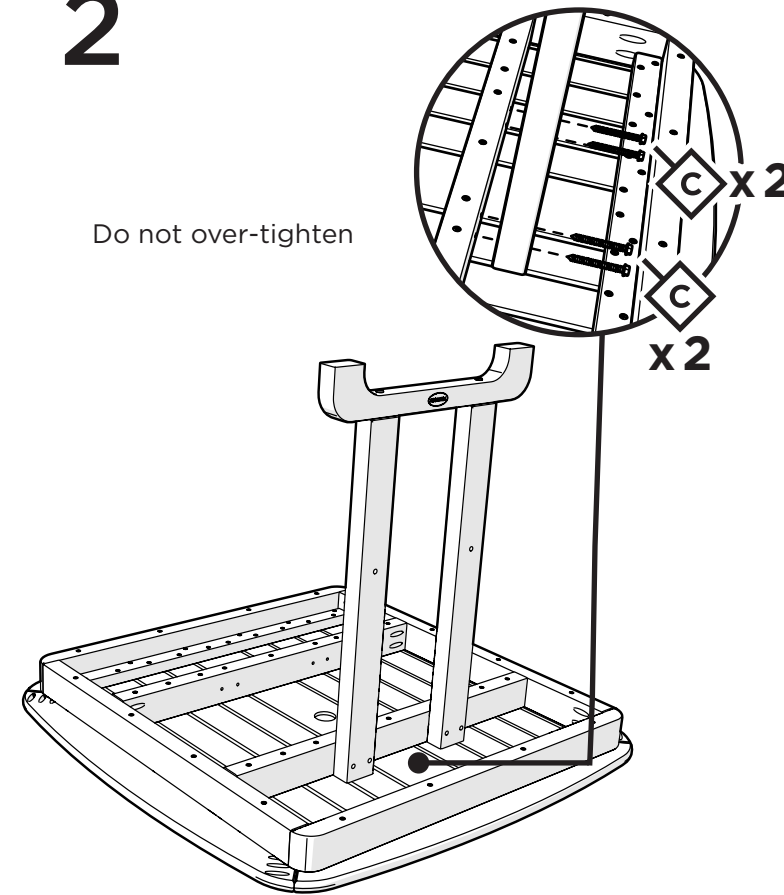
2.5" Screw — HHW14X2.5

Something missing?
Call (833) 665-6300

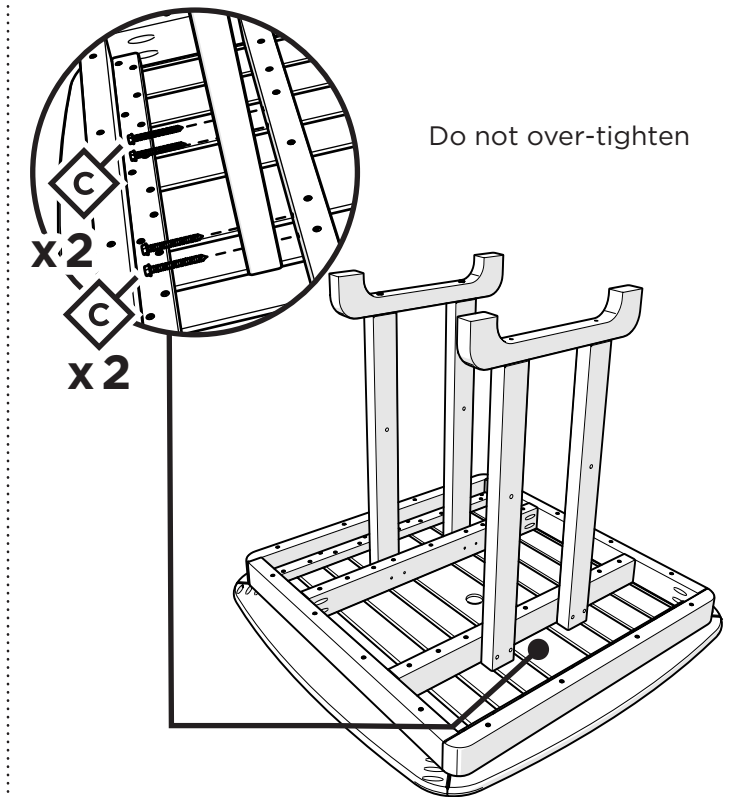
1



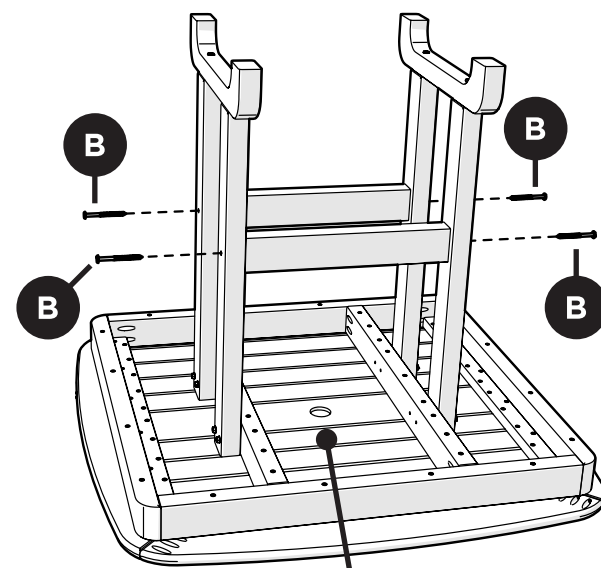
2



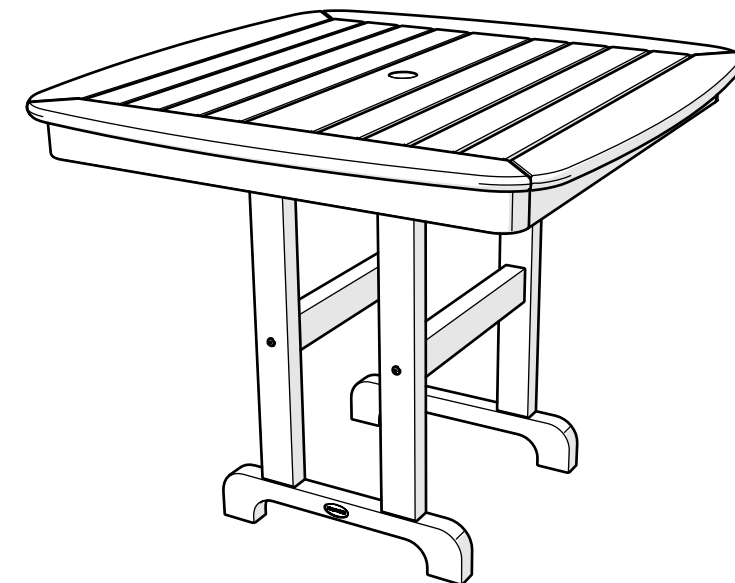
3



4



Removable table plug



POLYWOOD



POLYWOOD

Assembly Instructions



Having Trouble?

If you have questions or concerns regarding assembly instructions or missing parts, please contact us at (877) 457-3284 or email support@polywoodoutdoor.com



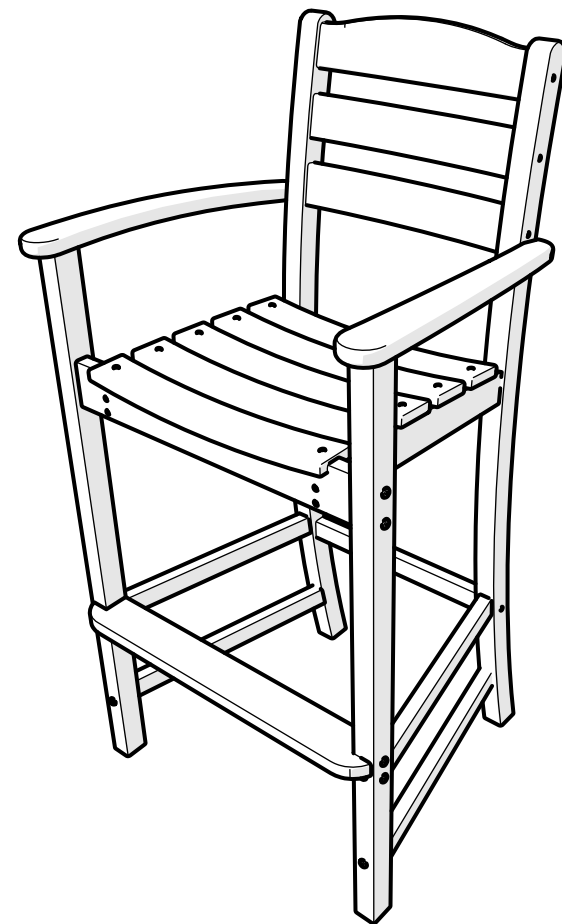
Share your space

We love to see where our furniture ends up — snap a pic and share it on Instagram or Facebook!
#polywood



Watch & Learn

For assembly videos and more, visit [youtube.com/polywood](https://www.youtube.com/polywood)



TD202
La Casa Cafe
Bar Arm Chair

20-Year Warranty

To view our full warranty, please visit polywoodoutdoor.com/warranty

Easily register your product using one of the methods below:

Text POLYWOOD to 71403
Receive a link to register online

— or —

Register on our website
register.polywoodoutdoor.com

— or —

Send a Picture
Take a photo of the icon below and text it to 71403 (US only)



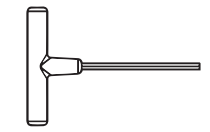
Cleaning Tips

Even POLYWOOD gets dirty — here are some ways to help keep it clean:

For a quick clean:
Simply wipe down with soap and water.

For a deeper clean:
You'll need:
» 1/3 bleach and 2/3 water solution
» clean cloth
» soft bristle brush
Wipe on solution with your cloth and let it sit on the lumber for a few minutes (this will not affect the color). Then, loosen any dirt and debris that may catch in surface grooves with a soft bristle brush; hose down to rinse.

TOOLS

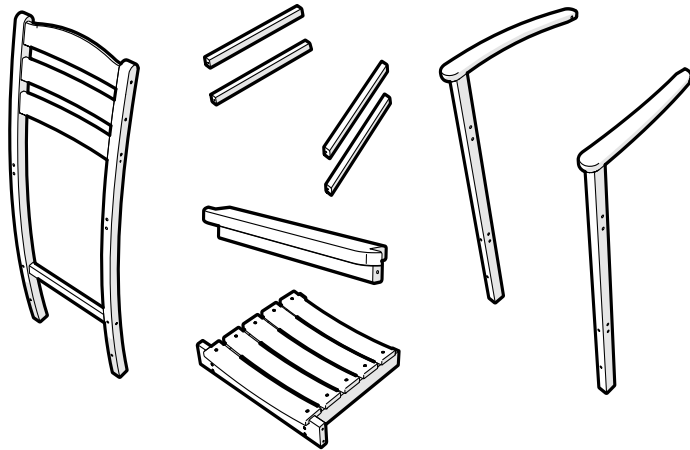


4mm T-handle hex key (included)

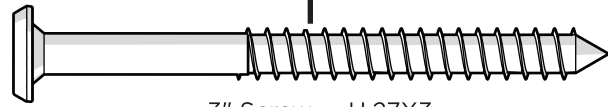


4mm hex, straight, for drill (included)

PARTS

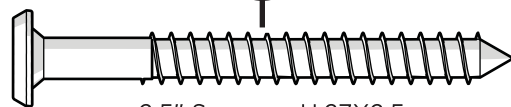


A x 20



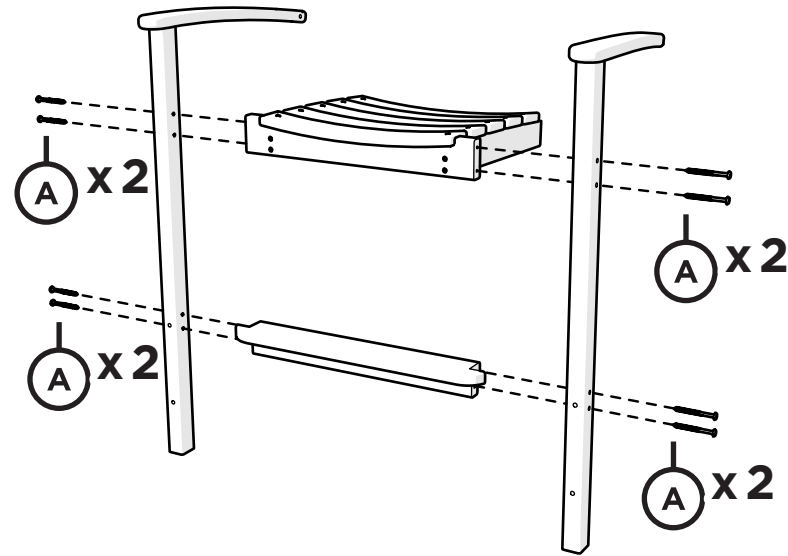
3" Screw — H.27X3

B x 2

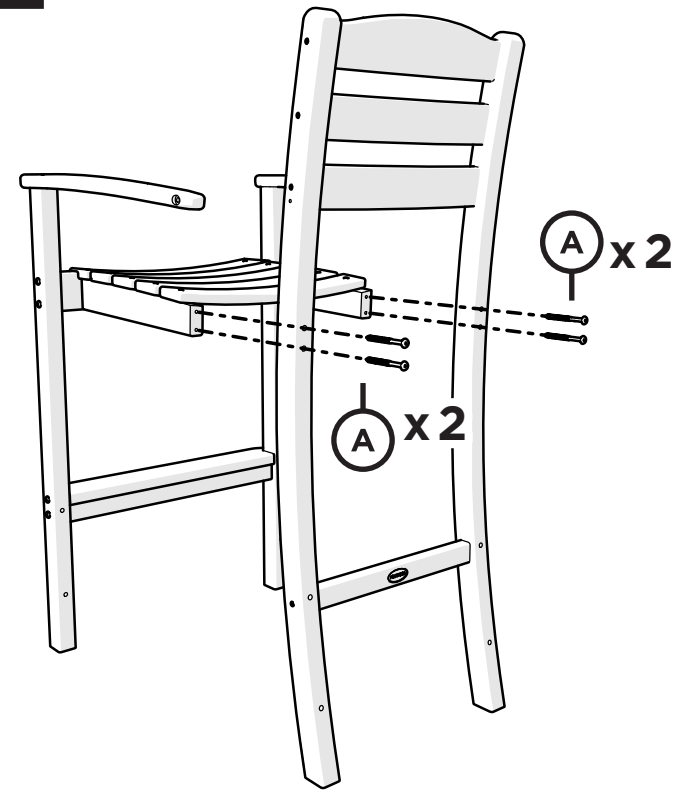


2.5" Screw — H.27X2.5

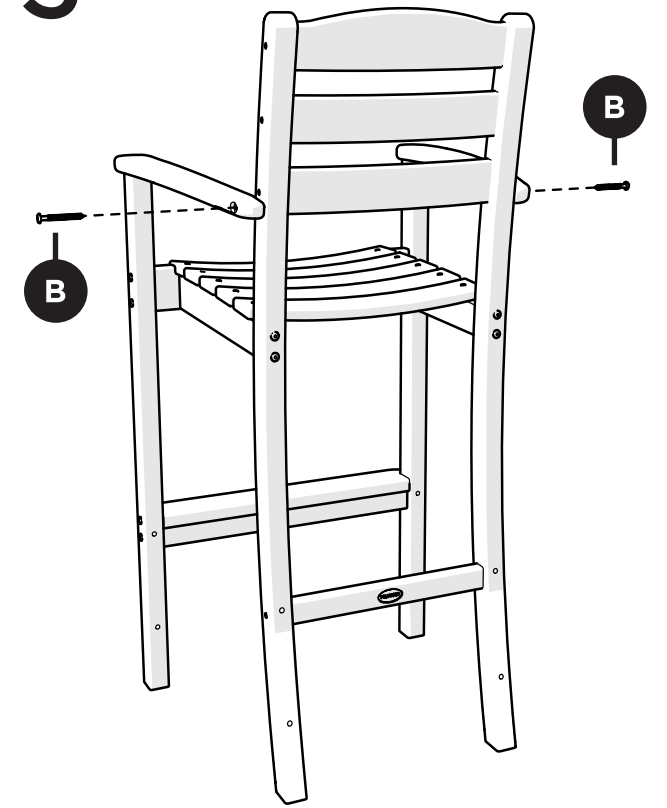
1



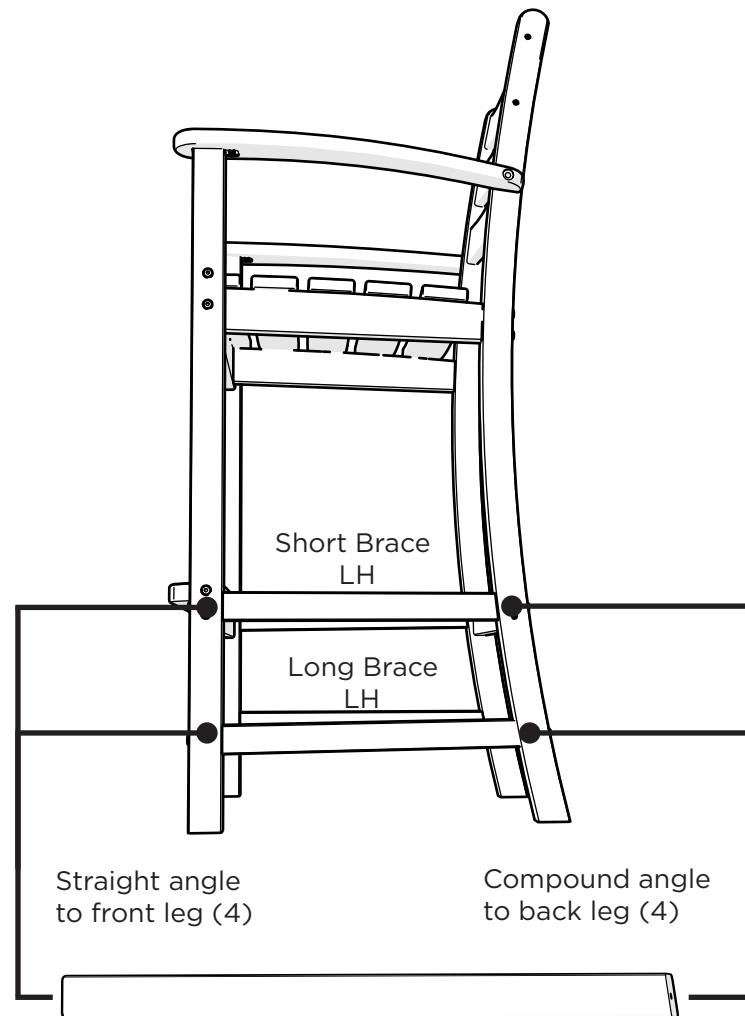
2



3



4



5

