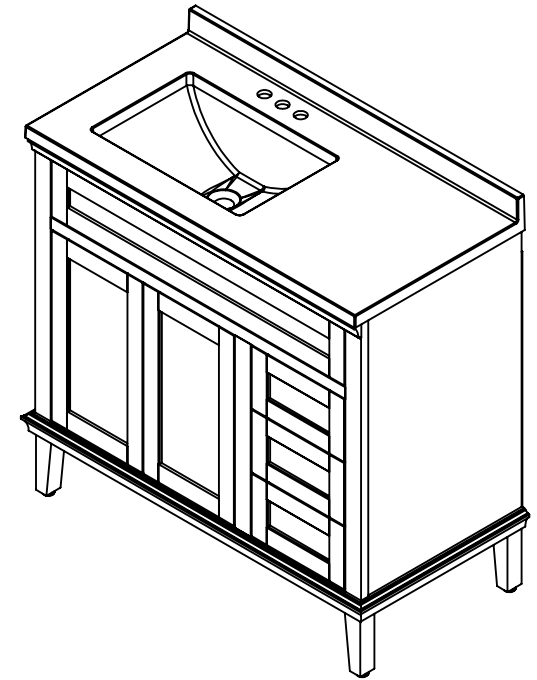
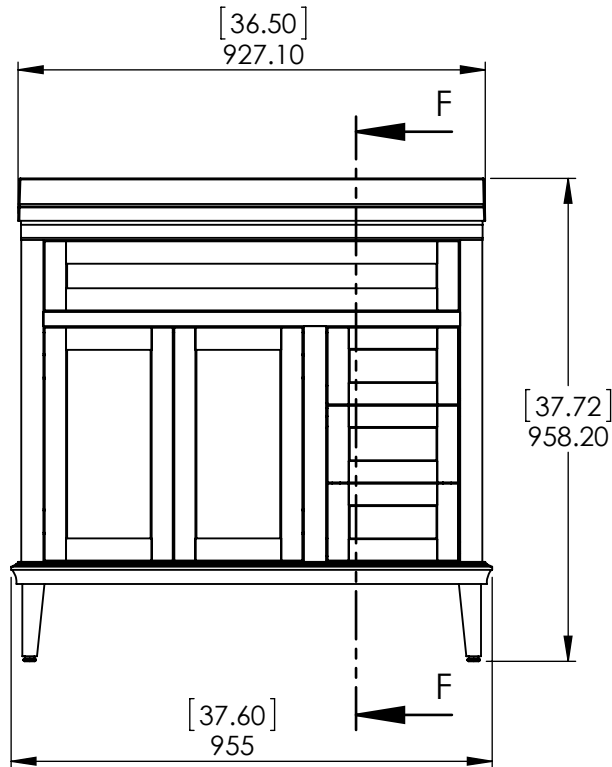


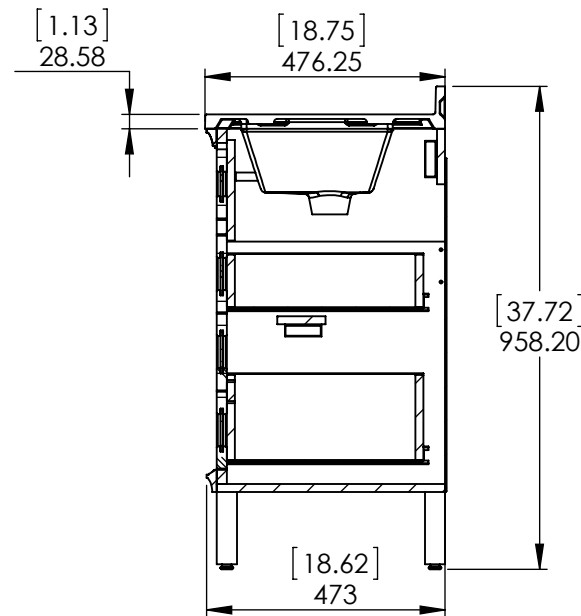
Top View



Isometric View



Front View

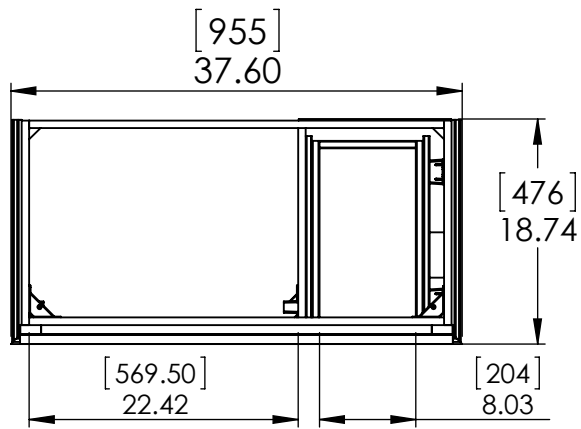


Section F-F
Side View

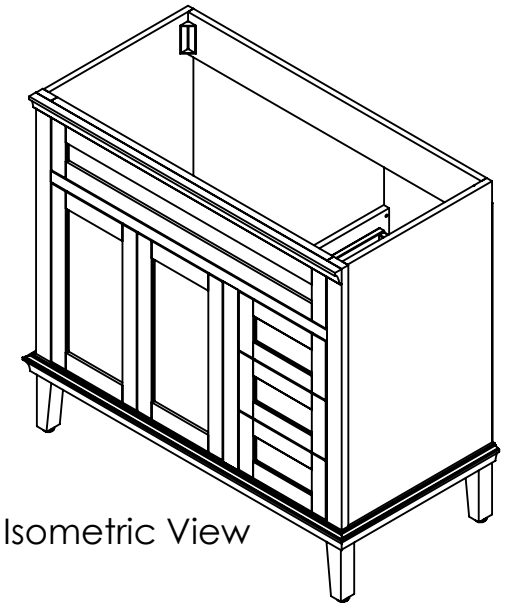


ITEM:	AF36P3-TG	REV	A
	AD36P3-TG		
NAME:	Abbotsford 36in		

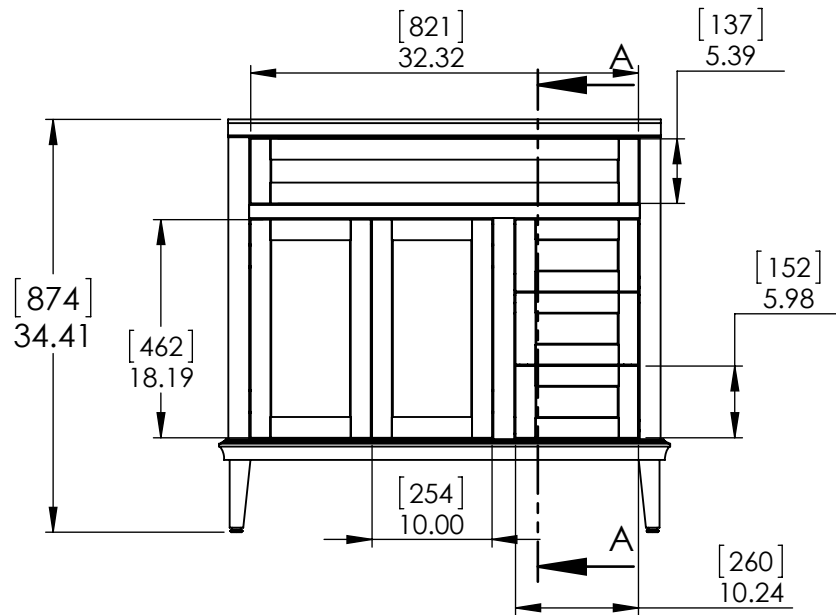
Propiedad y Confidencialidad La información contenida en este dibujo es puramente propiedad de <i>Woodcrafters Home Products LLC</i> . Queda prohibida cualquier reproducción parcial o total sin el permiso por escrito de <i>Woodcrafters Home Product LLC</i> .	DRAWING	ARB	05/01/18	MATERIAL: German beech 4/4 Abbotsford 36in
	REVIEW	ING	05/01/18	
	APPROVED	R&D	05/01/18	
	SCALE: 1:20	MODEL:		



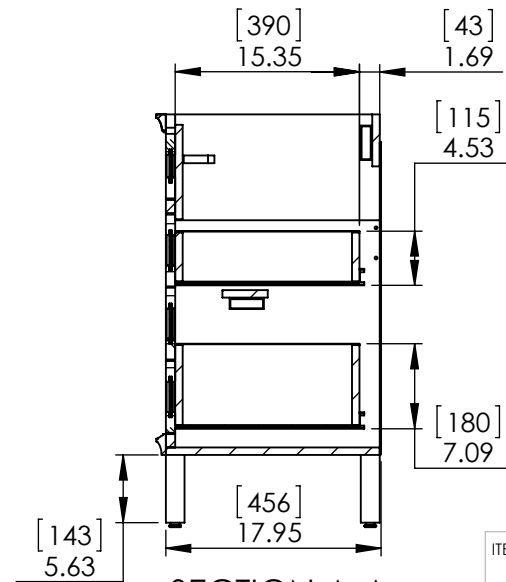
Top View



Isometric View



Front View



SECTION A-A
SCALE 1 : 16
Side View



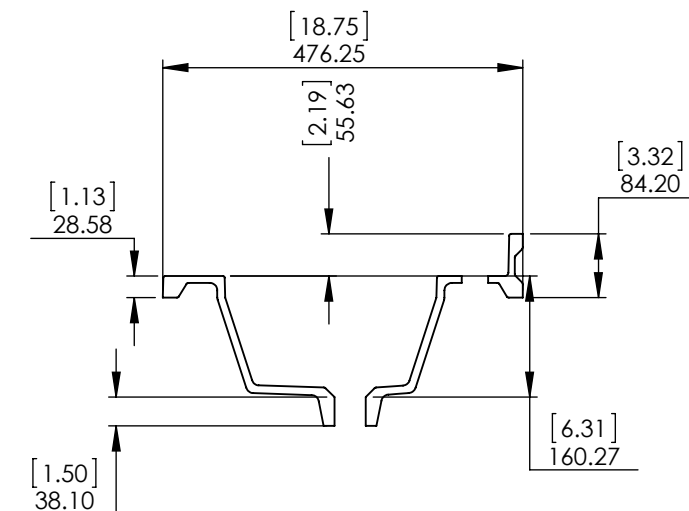
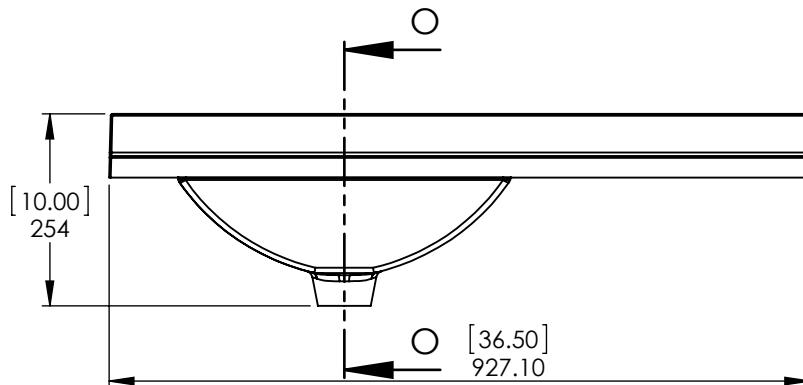
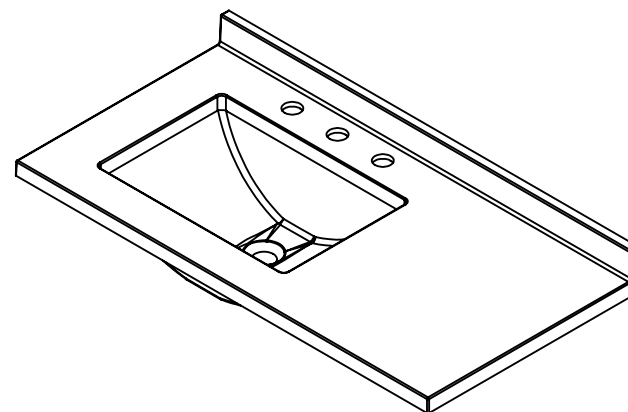
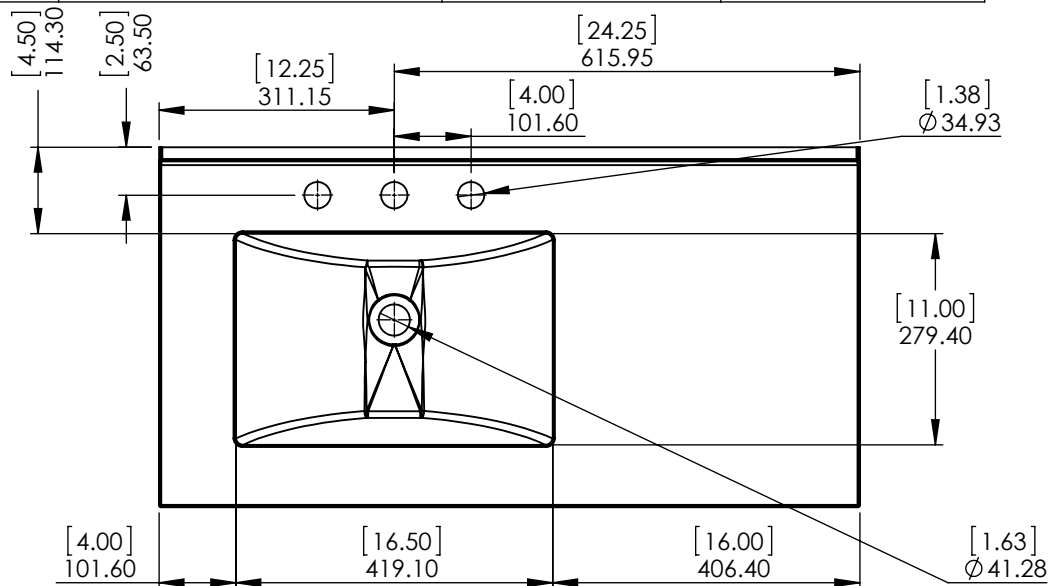
ITEM:	AF36P3-TG	REV	A
	AD36P3-TG		

NOMBRE: **Abbotsford 36in**

Propiedad y Confidencialidad La información contenida en este dibujo es puramente propiedad de Woodcrafters Home Products LLC. Queda prohibida cualquier reproducción parcial o total sin el permiso por escrito de Woodcrafters Home Product LLC.	Drawing	ARB	05/01/18	MATERIAL: German Beech 4/4
	Review	ING	05/01/18	
	Approved	R&D	05/01/18	
	ESCALA: 1:20	MODELO:	Abbotsford 36in	

ID	Description	Technology	Status
595569	Vtop Rect 36.5x18.75 Offset Bitono SS Titanium 8 in	Solid Surface	Approved for production
595571	Vtop Rect 36.5x18.75 Offset Bitono SS Silver Ash 8 in	Solid Surface	Approved for production

Rev #	Approved by	Change
0	R. Rubio	Released
1	R. Rubio	New Model Added



NOTE: MAX. WARPAGE
TOLERANCE 1/8"

PROPRIETARY AND CONFIDENTIAL

THE INFORMATION CONTAINED IN THIS DRAWING IS THE SOLE PROPERTY OF WOODCRAFTERS. ANY REPRODUCTION IN PART OR AS A WHOLE WITHOUT THE WRITTEN PERMISSION OF WOODCRAFTERS IS PROHIBITED.

UNLESS OTHERWISE SPECIFIED

DIMENSIONS ARE IN MM. AND (INCHES)

TOLERANCES ARE
+ 0.125 [3.175] - 0.125 [-3.175]

SCALE:1:10

	NAME	DATE
DRAWN	O. Razo	12/04/17
CHECKED	R. Rubio	12/04/17
ENG APPR.	R. Rubio	12/04/17
MFG APPR.	C. Leal	12/04/17

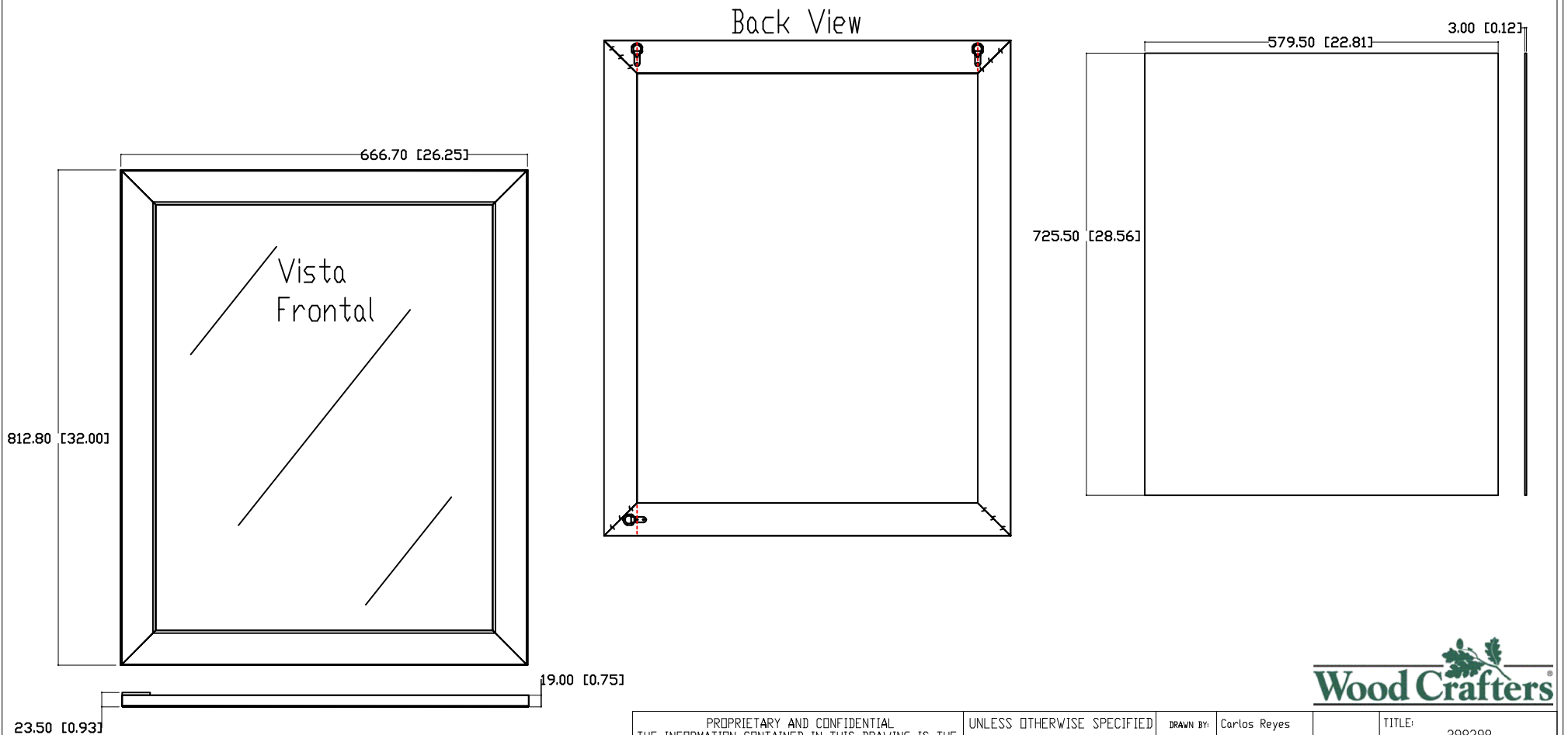


SIZE DWG. NO. A Vtop Rect 36.5x18.75 Offset Bitono 8 in

SHEET 1 OF 1
REV. 1

#	Item ID	Item Name
1	298398	Wall Mirror 26.25x32in Taupe Gray Paper Wrap

REV	ECD#	DESCRIPTION	DATE
0		Released	Jun. 20, 2017



23.50 [0.93]

19.00 [0.75]



PROPRIETARY AND CONFIDENTIAL THE INFORMATION CONTAINED IN THIS DRAWING IS THE SOLE PROPERTY OF WOODCRAFTERS HOME PRODUCTS L.L.C. ANY REPRODUCTION IN PART OR AS A WHOLE WITHOUT THE WRITTEN PERMISSION OF WOODCRAFTERS HOME PRODUCTS L.L.C. IS PROHIBITED.	UNLESS OTHERWISE SPECIFIED		DRAWN BY:	Carlos Reyes	TITLE:	298398
	DIMENSIONS ARE IN mm and[inches]		CHECKED BY:	Juan Sanchez.	Wall Mirror 26.25x32in	
	AND TOLERANCES ARE +/- 1 [0.04]		APPROVED BY:	Alexandro Hoopa	Taupe Gray Paper Wrap	
	DO NOT SCALE DRAWING	SCALE: 1:1	SIZE: A	PART NO:	PAGE 1 OF 1	REV: 0