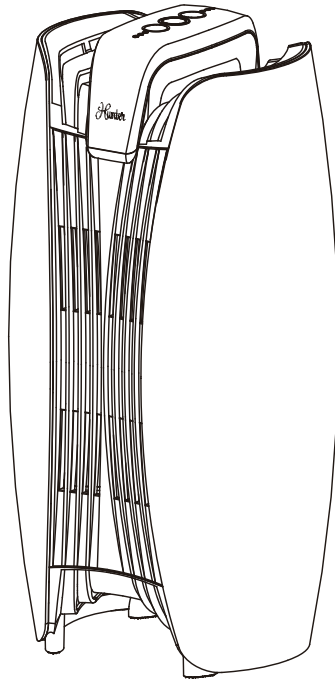


Hunter® Electronic Tower Air Purifier (HT1715)
2-in-1 HEPA/ViRo-Silver™ Filtration System

Owner's Manual



HT1715

20171101
© 2017 © Registered Trademark/TM Trade mark of Hunter Fan Co.
Manufactured under License By Synerco International Company Limited
All rights reserved

Hunter[®]
SINCE 1890

TABLE OF CONTENTS

INTRODUCTION	3
HOW THE SYSTEM WORKS	4
AIR PURIFIER SAFETY	5
SAFETY INSTRUCTIONS	6
INSTALLATION REQUIREMENTS	7
OPERATING YOUR AIR PURIFIER	8
USING THE CONTROLS	8
RESETTING FILTER TIME INDICATOR	8
CLEANING AND MAINTENANCE	9
CHECK AND CLEAN	9
REPLACING YOUR FILTER	10
TROUBLE SHOOTING TIPS	10
TECHNICAL SUPPORT	11
FILTER ORDERING	11
WARRANTY	12

INTRODUCTION

Thank you for purchasing a genuine Hunter® Air Purifier. You have purchased our latest development in Portable Air Purification Systems. This system has been developed to improve the quality of the air you breathe.

Our 2-in-1 HEPA/ViRo-Silver™ Air Purification System outperforms other air purification systems by quickly and effectively removing dust, smoke, and pollen particles as small as 0.3 microns in size. The following innovative features are included in your Hunter Air Purifier.

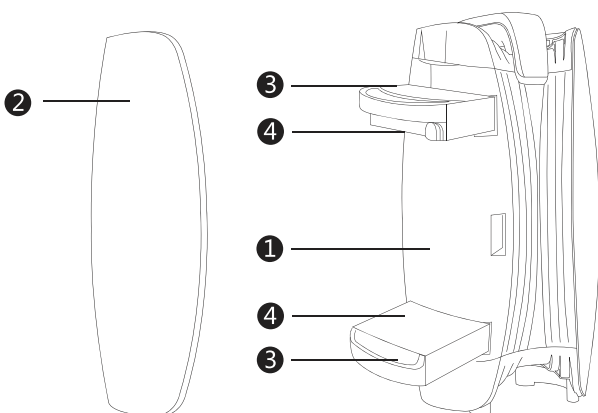
High Particulate Efficiency: The 2-in-1 HEPA filter removes 99% of particles as small as 0.3 micron from the air that passes through the filter.

Natural, effective odor removal: The 2-in-1 filter contains bamboo-charcoal molecules, that have a unique odor absorbing capacity. Bamboo is a sustainable plant, and his porous structure has natural negative ion-charge to attract odors.

Restraint bacteria growth: The ViRo-Silver pre-filter contains a layer of impregnated silver ions that inhibit the growth of germs and bacteria on the pre-filter.

HOW THE SYSTEM WORKS

Dust and other irritants are pulled into the Air Purifier by the fan. The ViRo-Silver pre-filter attracts large particles like pet dander and hair and traps them on the pre-filter. The ViRo-Silver pre-filter will trap the microorganisms adhere to it and so inhibit the outgrowth of microorganisms on the pre-filter. Small particles such as dust, mold, and pollen pass through the ViRo-Silver pre-filter and are captured by the 2-in-1 HEPA filter. 99% of particles as small as 0.3 micron can be captured by the HEPA filter.



Pull the left side cover to change the filter.

- ① Machine
- ② Left side cover
- ③ ViRo-Silver Pre-filter
- ④ 2-in-1 HEPA filter

AIR PURIFIER SAFETY

Your safety and the safety of others is very important.

We have provided many important safety messages in this manual and on your appliance. Always read and obey all safety messages.



This is the safety alert symbol.

This symbol alerts you to potential hazards that can kill or hurt you and others.

All safety messages will follow the safety alert symbol and either the word "DANGER" or "WARNING." These words mean:

 **DANGER**

You can be killed or seriously injured if you don't immediately follow instructions.

 **WARNING**

You can be killed or seriously injured if you don't follow instructions.

All safety messages will tell you what the potential hazard is, tell you how to reduce the chance of injury, and tell you what can happen if the instructions are not followed.

IMPORTANT SAFETY INSTRUCTIONS

This appliance has a polarized plug (one blade is wider than the other). To reduce the risk of electric shock, this plug is intended to fit into a polarized outlet only one way. If the plug does not fit fully into the outlet, reverse the plug. If it still does not fit, contact a qualified electrician. Do not attempt to defeat this safety feature.

Do not operate air purifier with a damaged cord or plug. Discard air purifier or return to an authorized service facility for examination or repair.

Unplug air purifier before servicing.

Do not run cord under carpeting. Do not cover cord with throw rugs, runners, or similar covering. Do not route cord under furniture, or appliances. Arrange cord away from traffic area and where it will not be tripped over.

READ AND SAVE THESE INSTRUCTIONS

WARNING: To reduce the risk of fire or electrical shock, DO NOT use the air purifier with any Solid-State Speed Control Device.

WARNING: To reduce the risk of fire or electrical shock and injury to persons, DO NOT use in a window.

SAFETY INSTRUCTIONS

IMPORTANT! READ ALL INSTRUCTIONS BEFORE USING THIS AIR PURIFIER

This product should be used only in accordance with the specifications outlined in this manual. Usage other than what has been specified here may result in serious injury.

When using electrical appliances, basic precautions should always be followed to reduce the risk of fire, electric shock and injury to persons, including the following:

- Read all instructions before using appliance.
- **IMPORTANT** - This portable product has a polarized plug (one blade is wider than the other) as a feature to reduce the risk of electric shock. This plug will fit into a polarized outlet only one way. If the plug does not fit fully in the outlet, reverse the plug. If it still does not fit, contact a qualified electrician. Never use an extension cord unless the plug can be fully inserted. Do not alter the plug.
- To avoid fire or shock hazard, plug the appliance directly into a 120V AC electrical outlet.
- Keep the cord out of heavy traffic areas. To avoid fire hazard, NEVER put the cord under rugs, near heat registers, radiator, stoves or heaters.
- To protect against electrical hazards, DO NOT immerse in water or other liquids. Do not use near water.
- Place the Air Purifier in an area that is out of the reach of children.
- Always unplug the air purifier before moving it, opening the grill, changing filter, cleaning or whenever the air purifier is not in use. Be sure to pull by the plug and not the cord.
- NEVER drop or insert any object into any openings.
- DO NOT run cord under carpeting.
- DO NOT cover cord with throw rugs, runners, or similar coverings.
- DO NOT route cord under furniture or appliances. Arrange cord away from traffic area and where it will not be tripped over.
- DO NOT operate any appliance with a damaged cord or plug, if motor fan fails to rotate, after the appliance malfunctions, or if it has been dropped or damaged in any manner. Call Customer Service for assistance.
- Use appliance only for intended household use as described in this manual. Any other use not recommended by the manufacturer may cause fire, electric shock or injury to persons.
- DO NOT use outdoors.

- NEVER block the air openings, grills/outlets or place on a soft surface such as a bed or sofa, as this could cause the unit to tip over, blocking the air intake or outtake opening.
- DO NOT attempt to repair or adjust any electrical or mechanical functions on this unit. Doing so will void your warranty. The inside of the unit contains no user serviceable parts. All servicing should be performed by qualified personnel only.
- DO NOT place anything on top of unit.
- This Air Purifier is designed for use on a level floor and may not work properly on an uneven floor. ALWAYS place the Air Purifier on a firm, level floor. ALWAYS place the Air Purifier at least six (6) inches away from walls and heat sources such as stoves, radiators, or heaters.

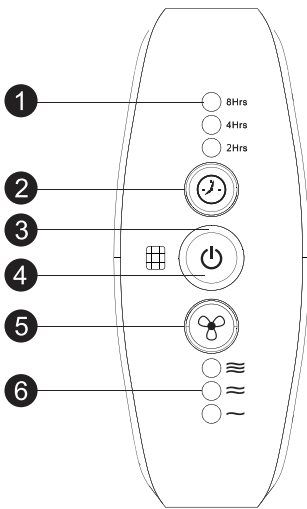
INSTALLATION REQUIREMENTS

1. Carefully remove your air purifier from the packaging and the plastic bag.
2. Select a firm level and flat location. For proper air flow, locate the unit at least six (6) inches from any wall or furniture. DO NOT block air opening.
3. Plug the 2 prong power cord into a **120V AC** electrical outlet.
4. Always lift your air purifier by the handle of the unit.
5. Operate indoors only.

OPERATING YOUR AIR PURIFIER

The air purifier is operated by the electronic controls located on the air purifier top. This manual covers several different models. The air purifier you have purchased may have some or all of the features listed.

INSTRUCTIONS FOR USE



1 Timing indicator



2 Timer



3 Filter reset indicator



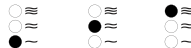
4 Power button



5 Speed control



6 Speed indicator



RESETTING FILTER TIME INDICATOR

The filter reset indicator will flash once the performance of the filter is impaired. Replace the filter and reset the indicator by pressing the filter reset button 3 seconds, until the filter reset indicator stops flashing.

CLEANING AND MAINTENANCE

⚠ WARNING



Electrical Shock Hazard

Disconnect power before servicing.

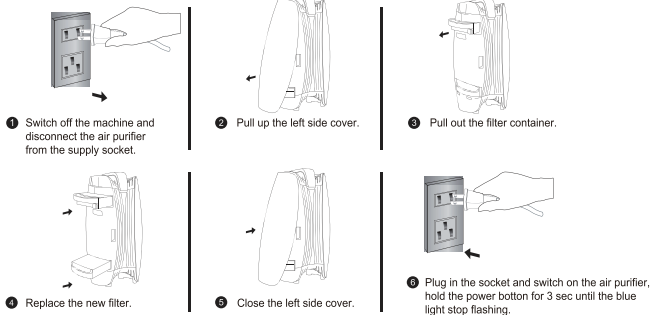
Replace all parts and panels before operating.

Failure to do so can result in death or electrical shock.

CHECK AND REPLACE

It is necessary to periodically check your Air Purifier for performance. If the ViRo-Silver Pre-filter and or the 2-in-1 HEPA filter are covered with dust and other particles, it will be necessary to replace the ViRo-Silver pre-filter; and replace the main 2-in-1 HEPA filter. The ViRo-Silver pre-filter is recommended to be checked once a month and recommended to be changed every 3 month. The 2-in-1 HEPA filter is recommended to be changed when the signal light flashes.

NOTE: Some indoor environments may require more frequent checking and replacing of the ViRo-Silver pre-filter. It might also be necessary to replace the 2-in-1 HEPA filter.



NOTE: Filter discoloration is normal and will not be removed by vacuuming. DO NOT attempt to wash the filter as damage to the filter or air purifier may occur.

CAUTION: Do not use gasoline, benzene, thinner, harsh cleaners, etc., as they will damage the product. NEVER use ALCOHOL OR SOLVENTS.

REPLACING YOUR FILTER

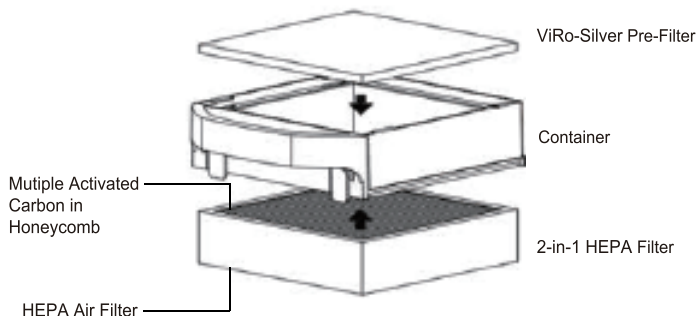
We recommend periodical filter checking and replacing for optimal performance.

- The ViRo-Silver Pre-filter should be replaced every 3 months, and the 2-in-1 HEPA filter should be checked after 12 months and be replaced no later than every 18 months for best performance of the unit. The filter indicator (BLUE) will start flashing once the performance of the 2-in-1 filter is impaired.

It is highly recommended to use only GENUINE HUNTER filter to maintain product performance, warranty and safety. Using filter and parts that are not genuine will void any warranty, impair the performance of the product, and may cause damage to the unit.

GENUINE HUNTER filter can be conveniently ordered under hunterair.com or the toll free customer service hotline **1-800-975-7116**.

Replace ViRo-Silver pre-filter and 2-in-1 HEPA filter



TROUBLE SHOOTING TIPS

If the air purifier shuts off unexpectedly, safety features may be activated to prevent damage or injury. If this happens, check the following:

1. Is the air purifier plugged into a working electrical outlet?
2. Is the 2-in-1 HEPA filter correctly located in place?
3. Has a household fuse blown, or has a circuit breaker tripped? Replace the fuse or reset the circuit breaker. If the problem continues, call an electrician.
4. Was a regular fuse used? Use a time-delay fuse or time-delay circuit breaker.

NOTE: If you continue to experience a problem, please call the Customer Service Center toll-free (USA & Canada): **1-800-975-7116** OR see your warranty.

WARNING: DO NOT attempt to take apart the unit by yourself. Doing so may void your warranty and cause damage to the product or personal injury.

TECHNICAL SUPPORT

If you have any additional questions or problem with your Hunter Air Purifier, please call the Customer Service Center toll-free:

USA & Canada: 1-800-975-7116

HOURS OF OPERATION ARE FROM 7:00am TO 7:00pm ON MONDAY – FRIDAY AND 8:00am TO 5:00pm ON SATURDAY, CENTRAL TIME. YOU MAY ALSO CONTACT US OVER THE INTERNET AT www.hunterair.com

FILTER ORDERING

Replacement filter may be ordered by visiting our website at www.hunterair.com. You may also call our Customer Service Center at 1-800-975-7116.

Air Purifier Model #	Filter P/N	Type
HT1715	F1715P5	ViRo-Silver Pre-Filter
HT1715	F1715HE5	2-in-1 HEPA Filter

- Applicable state and local taxes may apply.
- Prices are subject to change without notice.

All orders will be shipped FedEx, allow 12-15 working days for delivery.

WARRANTY

Hunter Air Purifier 2 YEAR LIMITED WARRANTY

Synerco International Company Limited makes the following limited warranty to the original residential user or consumer purchaser of the Air Purifier :
If any of your Air Purifier motor fails during the first two (2) year from the date of installation due to a defect in material or workmanship, we will provide a replacement Air Purifier free of charge. Installation is deemed to occur at the date of purchase.

If the Air Purifier cord fails any time within six (6) months after installation due to a defect in material or workmanship, we will replace or, at our option, repair the unit free of charge at our nearest service center. You will be responsible for all parts and labor costs after this two-year period.

IF THE ORIGINAL RESIDENTIAL USER OR CONSUMER PURCHASER CEASES TO OWN THE AIR PURIFIER, THIS WARRANTY AND ANY IMPLIED WARRANTY WHICH THEN REMAINS IN EFFECT, INCLUDING BUT NOT LIMITED TO ANY IMPLIED WARRANTY OF MERCHANTABILITY OR FITNESS FOR A PARTICULAR PURPOSE, ARE VOIDED. NO WARRANTY, EXPRESSED OR IMPLIED, INCLUDING ANY WARRANTY OF MERCHANTABILITY OR FITNESS FOR A PARTICULAR PURPOSE, IS MADE IN RESPECT TO THE FILTER MATERIAL OR CARBON FILTER. THIS WARRANTY IS IN LIEU OF ALL OTHER EXPRESS WARRANTIES. THE DURATION OF ANY IMPLIED WARRANTY, INCLUDING BUT NOT LIMITED TO ANY IMPLIED WARRANTY OF MERCHANTABILITY OR FITNESS FOR A PARTICULAR PURPOSE, IN RESPECT TO THE MOTOR IS EXPRESSLY LIMITED TO THE PERIOD OF THE EXPRESS WARRANTY SET FORTH ABOVE.

This warranty is voided if the air purifier is not purchased and used in the USA or Canada. This warranty excludes and does not cover defects, malfunctions or failures of the Air Purifier which were caused by repairs by persons not authorized by us, use of parts or accessories not authorized by us, mishandling, modification, or damage to the Air Purifier while in your possession, or unreasonable use, including failure to provide reasonable and necessary maintenance. This warranty does not cover Air Purifiers used in commercial applications. There are no express or implied warranties as to commercial purchasers or users.

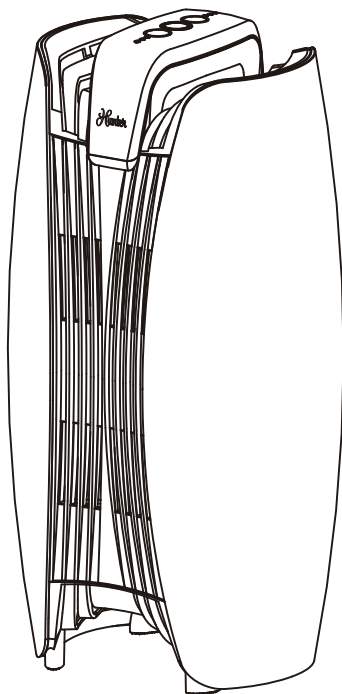
To obtain service, contact the nearest Hunter authorized service center or contact Synerco International Company Limited at 1-800-975-7116 for the name of our nearest authorized Hunter Service Center. You will be responsible for insurance and freight or other transportation to our factory service center. We will return the air purifier freight prepaid. The air purifier should be properly packaged to avoid damage in transit since we will not be responsible for any such damage. Proof of purchase is required when requesting warranty service. The purchaser must present sales receipt or other document that establishes proof of purchase.

IN NO EVENT SHALL SYNERCO INTERNATIONAL COMPANY LIMITED BE LIABLE, FOR DIRECT INDIRECT, SPECIAL CONSEQUENTIAL OR INCIDENTAL DAMAGES IN EXCESS OF THE PURCHASE PRICE OF THE AIR PURIFIER. YOUR SOLE REMEDY WILL BE REPAIR OR REPLACEMENT AS PROVIDED ABOVE. SOME AMERICAN STATES AND CANADIAN PROVINCES DO NOT ALLOW LIMITATIONS ON HOW LONG AN IMPLIED WARRANTY LASTS, SO THE ABOVE LIMITATION MAY NOT APPLY TO YOU.

SOME AMERICAN STATES AND CANADIAN PROVINCES DO NOT ALLOW THE EXCLUSION OR LIMITATION OF DIRECT, INDIRECT SPECIAL, INCIDENTAL OR CONSEQUENTIAL DAMAGES, SO THE ABOVE LIMITATION MAY NOT APPLY TO YOU. SOME AMERICAN STATES AND CANADIAN PROVINCES DO NOT ALLOW THE EXCLUSION OR INVALIDITY OF EXPRESS OR IMPLIED WARRANTIES IF THE USER CEASES TO OWN THE AIR PURIFIER, SO THE ABOVE LIMITATION MAY NOT APPLY TO YOU. THIS WARRANTY GIVES YOU SPECIFIC LEGAL RIGHTS, AND YOU MAY ALSO HAVE OTHER RIGHTS WHICH VARY FROM STATE TO STATE OR PROVINCE TO PROVINCE.

Hunter® Torre Purificadora de Aire Electrónica (HT1715)
2-en-1 HEPA/ViRo-Silver™ Sistema de Filtración

Manual del usuario



HT1715

20171101

© 2017® Marca registrada/TM Marca de Hunter Fan Co. Fabricado
bajo Licencia por Synerco International Company Limited
Todos los derechos reservados

Hunter[®]
SINCE 1886

TABLA DE CONTENIDOS

INTRODUCCIÓN.....	3
COMO FUNCIONA EL SISTEMA.....	4
SEGURIDAD DEL PURIFICADOR DE AIRE.....	5
INSTRUCCIONES DE SEGURIDAD.....	6
REQUISITOS DE INSTALACIÓN.....	7
USANDO SU PURIFICADOR DE AIRE.....	8
USANDO LOS CONTROLES.....	8
REINICIAR INDICADOR DE TIEMPO.....	8
LIMPIEZA Y MANTENIMIENTO.....	9
COMPROBAR Y LIMPIAR.....	9
SUSTITUIR SU FILTRO.....	10
CONSEJOS RESOLUCIÓN DE PROBLEMAS.....	10
APOYO TÉCNICO.....	11
PEDIR UN FILTRO.....	11
GARANTÍA.....	12

INTRODUCCIÓN

Gracias por comprar un auténtico purificador de aire Hunter.

Ha comprado usted nuestro último desarrollo en sistemas de purificación portátiles. Este sistema ha sido desarrollado para mejorar la calidad del aire que usted respira.

Nuestro Sistema de Purificación de Aire 2-en-1 HEPA/ViRo-Silver™ supera a otros sistemas de purificación de aire por lo rápida y eficientemente que elimina el polvo, humo y partículas de polen tan pequeñas en tamaño como 0.3 micras. Las siguientes características innovadoras están incluidas en su purificador de aire Hunter.

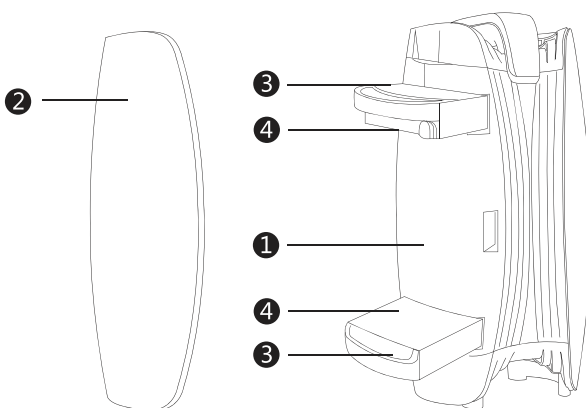
Gran eficiencia en la retención de partículas: El filtro 2-en-1 HEPA elimina alrededor del 99% de las partículas tan pequeñas como de 0.3 micras del aire que pasa a través del filtro.

Eliminación de olores, eficiente y natural: El filtro 2-en-1 contiene moléculas de bambú-carbón, que tienen la capacidad única de absorber olores. El bambú es una planta sostenible, y su estructura porosa tiene una carga iónica negativa natural que atrapa los olores.

Control del crecimiento bacteriano: El pre-filtro ViRo-Silver contiene una capa impregnada de iones de plata que inhibe el crecimiento de gérmenes y bacterias en el pre-filtro.

COMO FUNCIONA EL SISTEMA

El polvo y otros irritantes son introducidos en el purificador de aire por el ventilador. El pre-filtro ViRo-Silver atrae grandes partículas como el pelo y la caspa de las mascotas y los atrapa en el pre-filtro. El pre-filtro ViRo-Silver atraparà a los microorganismos adheridos a él y así inhibirá el brote de microorganismos en el pre-filtro. Partículas pequeñas como el polvo, el moho, y el polen pasan a través del pre-filtro ViRo-Silver y son capturadas por el filtro 2 en 1 HEPA. Alrededor de un 99% de las partículas de un tamaño tan pequeño como las 0.3 micras pueden ser capturadas por el filtro HEPA.



Quite la tapa de la izquierda para cambiar el filtro.

- ① Máquina
- ② Tapa de la izquierda
- ③ Pre-filtro ViRo-Silver
- ④ filtro 2-en-1 HEPA

SEGURIDAD EN EL PURIFICADOR DE AIRE

Su seguridad y la de otros es muy importante.

Hemos aportado a este manual y en su electrodoméstico, muchos mensajes importantes sobre seguridad. Siempre lea y obedezca todos los mensajes sobre seguridad.



Este es el símbolo de alerta por seguridad.

Este símbolo alerta de los posibles peligros, riesgos que pueden matarle o herirle a usted y a otros.

Todos los mensajes de seguridad seguirán al símbolo de alerta de seguridad y a la palabra "PELIGRO" o "ADVERTENCIA." Estas palabras significan:



PELIGRO

Que puede resultar herido o muerto si no sigue inmediatamente estas instrucciones.



ADVERTENCIA

Que puede resultar muerto o herido si no sigue las siguientes instrucciones.

Todos los mensajes de seguridad le dirán cuál es el riesgo potencial, cómo reducir las posibilidades de recibir una herida, y lo que puede pasar si no se siguen las instrucciones.

INSTRUCCIONES DE SEGURIDAD

Este electrodoméstico tiene un enchufe polarizado (una pata es más ancha que la otra). Para reducir el riesgo de descarga eléctrica, se supone que este enchufe solo puede encajar en una toma de corriente polarizada de una manera. Si el enchufe no entra por completo en la toma, dele la vuelta al enchufe. Si aún así no encaja, llame a un electricista cualificado. No intente forzar esta medida de seguridad.

No utilice el purificador de aire con un cable o enchufe dañado. Deseche el purificador o llévelo a un servicio técnico autorizado para que lo examine o reparen.

Desconecte el purificador antes de darle servicio.

No pase el cable bajo la moqueta. No tape el cable con alfombras, tapetes, o cosas similares. No pase el cable bajo los muebles o electrodomésticos. Póngalo donde no moleste al paso y no se pueda dañar.

LEA Y GUARDE ESTAS INSTRUCCIONES

ADVERTENCIA: Para reducir el riesgo de fuego o descarga eléctrica, NO use el purificador con ningún dispositivo de control de velocidad en estado sólido.

ADVERTENCIA: Para reducir el riesgo de fuego o descarga eléctrica y heridas a las personas, NO lo use en una ventana.

INSTRUCCIONES DE SEGURIDAD

¡IMPORTANTE!

LEA TODAS LAS INSTRUCCIONES ANTES DE USAR ESTE PURIFICADOR DE AIRE

Este producto solo debería usarse de acuerdo con las especificaciones detalladas en este manual. Otros usos distintos de los han sido especificados aquí pueden resultar en heridas graves.

Cuando se usan aparatos eléctricos, se deben tomar algunas precauciones básicas para reducir el riesgo de fuego, descarga eléctrica y heridas a las personas, que incluyen las siguientes:

- Lea todas las instrucciones antes de usar este aparato.
- **IMPORTANTE** - Este producto portátil tiene un enchufe polarizado (una pata es más ancha que la otra) como una característica que pretende reducir el riesgo de descarga eléctrica. Este enchufe solo puede entrar en una toma de corriente polarizada de una manera. Si el enchufe no entra del todo en la toma, dele la vuelta al enchufe. Si aún así no entra, contacte con un electricista cualificado. Nunca use una extensión a menos que el enchufe se pueda introducir del todo. No altere el enchufe.
- Para evitar el riesgo de fuego o descarga eléctrica, enchufe el cable directamente a una toma de corriente de 120VAC.
- Mantenga el cable fuera de las zonas más transitadas. Para evitar riesgos de fuego, NUNCA ponga el cable bajo alfombras, cerca de fuentes de calor, radiadores, cocinas o calentadores.
- Para protegerse de los riesgos eléctricos, NO los use cerca de líquidos. No lo use cerca del agua.
- Ponga el purificador lejos del alcance de los niños.
- Siempre desenchufe el purificador antes de moverlo, abrir la rejilla, cambiar el filtro, limpiarlo, o cuando no se vaya a usar. Asegúrese de tirar del enchufe y no del cable.
- Nunca deje caer o meta ningún objeto por las aberturas.
- NO pase el cable por debajo de la moqueta.
- No tape el cable con alfombras, tapetes, o cosas similares.
- No pase el cable bajo los muebles o electrodomésticos. Póngalo donde no moleste al paso y no se pueda dañar.
- NO utilice ningún electrodoméstico con un cable o un enchufe dañado, si el motor del ventilador gira, después de que el aparato haya fallado, o si se ha caído o dañado de cualquier manera. Llame al Servicio de Atención al Cliente para recibir asistencia.
- Use el aparato solo para el uso doméstico que se describe en este manual. Cualquier otro uso no recomendado por el fabricante puede causar fuego, descarga eléctrica o daños a las personas.
- NO use en el exterior.

- NUNCA bloquee las aberturas para el aire, rejillas/salidas o coloque en una superficie blanda como un cama o sofá, ya que esto podría causar que se caiga y se dañe el aparato. Bloquee la entrada de aire o la abertura de salida.
- NO intente reparar o ajustar ninguna función eléctrica o mecánica de este aparato. Eso le haría perder la garantía. El interior del aparato contiene piezas que no pueden ser reparadas por el usuario. Todas las reparaciones deben realizarlas el personal cualificado.
- NO pongan nada encima del aparato.
- Este purificador de aire está diseñado para ser usado a nivel del suelo y puede que no funcione apropiadamente en un suelo desigual. Coloque SIEMPRE el purificador de aire sobre un suelo firme, llano y a nivel. Ponga SIEMPRE el purificador al menos a seis pulgadas de separación de las paredes y fuentes de calor como cocinas, radiadores o estufas.

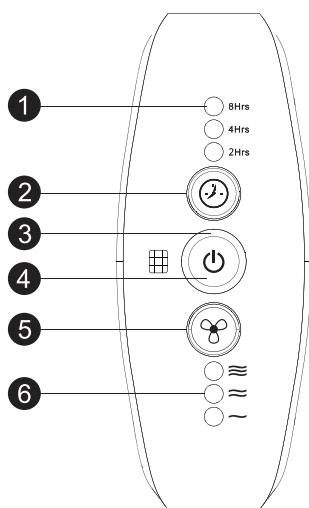
REQUISITOS DE INSTALACIÓN

1. Retire con cuidado el purificador de aire del envoltorio y labrado de plástico.
2. Seleccione un suelo firme, llano y a nivel. Para que el aire fluya apropiadamente, ubique el aparato al menos a seis pulgadas de cualquier pared o mueble. NO bloquee la abertura para el aire.
3. Conecte el cable de alimentación de dos clavijas a una toma de corriente de **120V AC**.
4. Levante siempre el purificador por la parte superior del aparato.
5. Úselo solamente en interiores.

USANDO SUPURIFICADOR DE AIRE

El purificador de aire se maneja por medio de los controles electrónicos localizados en la parte superior. Este manual se refiere a varios modelos diferentes. El purificador que usted ha comprado puede tener algunas o todas las características que aparecen aquí.

INSTRUCCIONES DE USO



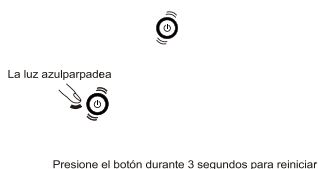
1 Indicador de tiempo



2 Temporizador



3 Indicador de reinicio del filtro



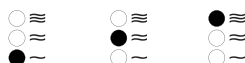
4 Botón de encendido



5 Control de velocidad



6 Indicador de velocidad



REINICIANDO EL INDICADOR DE TIEMPO DEL FILTRO

El indicador de reinicio del filtro parpadeará una vez el rendimiento del filtro se vea alterado. Sustituya el filtro y reinicie el indicador presionando el botón de reinicio del filtro durante 3 segundos hasta que el indicador de reinicio del filtro deje de parpadear.

LIMPIEZA Y MANTENIMIENTO

⚠ ADVERTENCIA



Riesgo de descarga eléctrica

Desconecte la corriente antes de dar servicio.

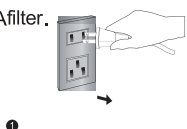
Vuelva a poner todas las piezas y paneles antes de hacer funcionar.

El no hacerlo así puede resultar en muerte por electrocución.

COMPROBAR Y REEMPLAZAR

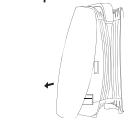
Es necesario comprobar periódicamente que su purificador funciona bien. Si el pre-filtro ViRo-Silver y el filtro 2-en-1 HEPA están cubiertos de polvo y otras partículas, será necesario sustituir el pre-filtro ViRo-Silver y sustituir el filtro principal 2-en-1 HEPA. Se recomienda que el pre-filtro ViRo-Silver se revise una vez al mes y se sustituya una vez cada 3 meses. Se recomienda que el filtro 2-en-1 HEPA se sustituya cuando parpadee la señal luminosa.

NOTA: Algunos entornos interiores pueden requerir revisiones más frecuentes del pre-filtro ViRo-Silver. También podría ser necesario sustituir el filtro 2-in-1 HEPA filter.



1

Apague la máquina y desconecte el contenido del filtro. el purificador de la toma de corriente.



2

Levante la tapa de la izquierda.



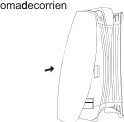
3

Saque el



4

Ponga el nuevo filtro.



5

Cierre la tapa de la izquierda.



6

Conecte el enchufe en la toma y encienda el purificador, mantenga apretado el botón de encendido durante 3 segundos hasta que la luz azul deje de parpadear.

NOTA: Es normal que el filtro pierda color y no se retirará aspirando. NO intente lavar el filtro ya que se podría dañar el filtro o el purificador.

PRECAUCIÓN: No use gasolina, benceno, disolvente, limpiadores agresivos, etc., ya que pueden dañar el producto. Nunca use alcohol o solventes.

SUSTITUYENDO SU FILTRO

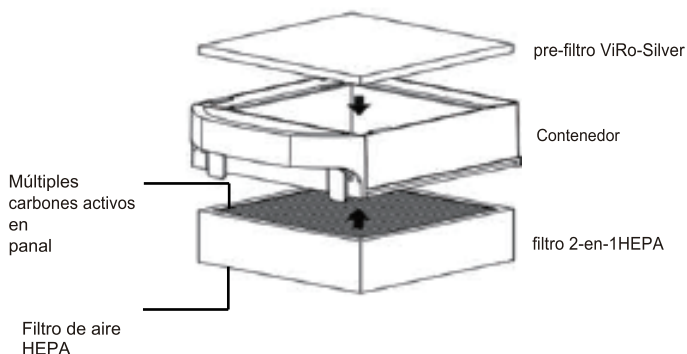
Recomendamos revisione periódicas del filtro y su sustitución para un rendimiento óptimo.

- El pre-filtro ViRo-Silver debe reemplazarse cada 3 meses, y el El filtro HEPA 2-en-1 se debe revisar después de 12 meses y reemplazarse sin más tarde que cada 18 meses para obtener el mejor rendimiento de la unidad. El indicador de filtro (AZUL) comenzará a parpadear una vez que el rendimiento del filtro 2 en 1 se vea afectado.

Se recomienda encarecidamente usar solo filtros HUNTER auténticos para mantener el rendimiento del producto, la garantía y la seguridad. Usar filtros y piezas que no son auténticas invalidará la garantía, deteriorará el rendimiento del producto, y puede causar daños al aparato.

Se puede pedir un filtro auténtico HUNTER en la web hunterair.com o en línea de atención gratuita al cliente **1-800-975-7116**.

Sustituir el pre-filtro ViRo-Silver y el filtro 2-en-1 HEPA



CONSEJOS DE RESOLUCIÓN DE PROBLEMAS

Si el purificador de aire se apaga inesperadamente, se deben activar las medidas de seguridad para prevenir accidentes o heridas. Si esto pasa, compruebe lo siguiente:

1. ¿Está enchufado el purificador a una toma de corriente que funcione?
2. ¿Está el filtro HEPA 2-en-1 colocado correctamente en su lugar?
3. ¿Se ha fundido un fusible, o a saltado un diferencial? Sustituya el fusible o reinicie el diferencial. Si el problema continúa, llame a un electricista.
4. ¿Se estaba usando un fusible normal? Use uno con retardo o un diferencial con retardo.

NOTA: Si sigue teniendo problemas, por favor llame al Servicio de Atención al Cliente, al número gratuito (para EEUU y Canada): **1-800-975-7116** o mire su garantía.

ADVERTENCIA: NO intente desarmar el aparato usted mismo. Hacer eso invalidaría la garantía y causaría daños al producto o heridas a las personas.

APOYOTÉCNICO

Si tiene más preguntas o problemas con su humidificador Hunter, por favor llame al número gratuito de Atención al Cliente:

EEUU y Canada: 1-800-975-7116

HORAS DE FUNCIONAMIENTO DESDE 7:00am A 7:00pm DE LUNES A VIERNES Y DE 8:00am A 5:00pm EL SÁBADO, HORAS CENTRAL. Y TAMBIÉN PUEDE PONERSE EN CONTACTO CON NOSOTROS EN INTERNET EN www.hunterair.com

PETICIONES DE FILTROS

Puede encargar filtros de repuesto visitando nuestra página web en www.hunterair.com

También puede llamar a nuestro Servicio de Atención al Cliente en el 1-800-975-7116.

Modelo del purificador#	Filtro P/N	Tipo
HT1715	F1715P5	ViRo-Silver Pre-Filter
HT1715	F1715HE5	2-in-1 HEPA Filter

- Pueden aplicarse impuestos locales y estatales.
- Los precios pueden cambiar sin previo aviso

Todos los encargos se enviarán a través de FedEx, y se entregarán entre 12 y 15 días laborables.

GARANTÍA

Purificador de aire Hunter 2 AÑO DE GARANTÍA LIMITADA

Synercol International Company Limited concede la siguiente garantía limitada al usuario residencial o al consumidor comprador del purificador de aire: si algo dentro del motor de su purificador de aire fallase durante el primer dos (2) a contar desde la fecha de instalación debido a un defecto material o de elaboración, proporcionaremos un purificador de forma gratuita. Como fecha de instalación se considera la fecha de compra.

Si el cable del purificador falla en cualquier momento dentro de los seis (6) meses siguientes a la instalación, debido a algún defecto material o de elaboración, sustituiremos o, a nuestra elección, repararemos el aparato gratuitamente en nuestro servicio técnico más cercano. Y usted se hará cargo de todas las piezas y el costo de la mano de obra, después de ese período de dos años.

SI EL USUARIO RESIDENCIAL HABITUAL O EL CONSUMIDOR COMPRADOR DEJA DE SER EL PROPIETARIO DEL PURIFICADOR ESTA GARANTÍA Y CUALQUIER OTRA GARANTÍA QUE SE DEDUZCA DE ESTA, QUE ENTONCES ESTÉ EN VIGOR, INCLUYENDO PERO NO LIMITADA A NINGUNA GARANTÍA IMPLÍCITA DE COMERCIALIZACIÓN U OPORTUNIDAD PARA UN PROPÓSITO PARTICULAR, ESTÁ SIN EFECTO. NINGUNA GARANTÍA, EXPRESADA O IMPLÍCITA, INCLUYENDO CUALQUIER GARANTÍA DE COMERCIALIZACIÓN U OPORTUNIDAD PARA UN PROPÓSITO PARTICULAR, SE HA HECHO EN RELACIÓN AL FILTRO DE CARBÓN. ESTA GARANTÍA ES EN LUGAR DE TODAS LAS OTRAS GARANTÍAS EXPRESAS. LA DURACIÓN DE CUALQUIER GARANTÍA IMPLÍCITA, INCLUYENDO PERO SIN LIMITARSE PARA NINGUNA DE COMERCIALIZACIÓN U OPORTUNIDAD PARA UN PROPÓSITO PARTICULAR EN RELACIÓN AL MOTOR ESTÁ EXPRESAMENTE LIMITADA AL PERÍODO DE LA GARANTÍA EXPRESA, ESTABLECIDA ANTERIORMENTE.

Esta garantía queda sin efecto si el purificador no se ha comprado y usado en EEUU o Canadá. Esta garantía excluye y no cubre defectos, malfunciones o averías del purificador que hayan sido causadas por reparaciones realizadas por personas no autorizadas por nosotros, mal transporte, modificaciones o daños al purificador mientras estuviera en su posesión o uso no razonable, incluyendo el no haber realizado un correcto mantenimiento. Esta garantía no cubre purificadores utilizados en aplicaciones comerciales. No existen garantías expresas o implícitas en relación a los compradores comerciales o usuarios.

Para obtener servicio, contacte con el servicio técnico autorizado más cercano de Hunter o contacte con Synerco International Company Limited en el 1-800-975-7116 para conseguir el nombre del centro de servicio técnico más cercano de Hunter. Usted será responsable del seguro y mercancía u otro tipo de transporte al servicio técnico de nuestra fábrica. Le devolveríamos el purificador en envío prepagado. El purificador debería estar apropiadamente empaquetado para evitar daños en el viaje, ya que no nos haríamos responsables de tales daños. Se requiere una prueba de compra al solicitar el servicio de la garantía. El comprador debe presentar el recibo de compra u otro documento que se establezca como prueba de compra.

BAJO NINGÚN CONCEPTO SERÁ RESPONSABLE SYNERCO INTERNATIONAL COMPANY LIMITED, POR LOS DAÑOS DIRECTOS, INDIRECTOS, ESPECIALES CONSECUENCIALES O INCIDENTALES EN EXCESO DEL PRECIO DE COMPRA DEL PURIFICADOR. SU ÚNICO REMEDIO SERÍA REPARAR O SUSTITUIR TAL Y COMO SE EXPLICÓ ARRIBA. ALGUNOS ESTADOS AMERICANOS Y PROVINCIAS CANADIENSES NO PERMITEN LIMITACIONES AL TIEMPO DE DURACIÓN DE LA GARANTÍA IMPLÍCITA, DE MODO QUE LA LIMITACIÓN QUE APARECE ARRIBA PUEDE QUE NO LE AFECTE.

ALGUNOS ESTADOS AMERICANOS Y PROVINCIAS CANADIENSES NO PERMITEN LA EXCLUSIÓN O LIMITACIÓN DE LOS DAÑOS DIRECTOS, INDIRECTOS ESPECIALES, INCIDENTALES O CONSECUENCIALES, ASÍ QUE LA LIMITACIÓN QUE APARECE ARRIBA, PUEDE QUE NO LE AFECTE A USTED. ALGUNOS ESTADOS AMERICANOS Y PROVINCIAS CANADIENSES NO PERMITEN LA EXCLUSIÓN O INVALIDEZ DE LAS GARANTÍAS EXPRESAS O IMPLÍCITAS SI EL USUARIO DEJAR DE SER EL DUEÑO DEL PURIFICADOR, DE MODO QUE PUEDE QUE LA LIMITACIÓN QUE APARECE ARRIBA NO LE AFECTE A USTED. ESTA GARANTÍA LE CONFIERE DERECHOS LEGALES ESPECÍFICOS, Y USTED TAMBIÉN PUEDE TENER OTROS DERECHOS QUE VARIAN DE ESTADO A ESTADO O DE PROVINCIA A PROVINCIA.