

# MANUAL TOWING WINCH NO STRAP

## INSTALLATION INSTRUCTIONS

### READ ALL WARNINGS AND INSTRUCTIONS BEFORE INSTALLATION

**WARNING:** AT NO TIME SHOULD THE MAXIMUM WORKING LOAD OF THE MANUAL TOWING WINCH BE EXCEEDED. THE MAXIMUM WORKING LOAD IS 600LB (272KG) MAX CAPACITY.

**WARNING:** BEFORE EACH USE, INSPECT MANUAL WINCH, WEBBING, AND MOUNTING TO ENSURE PROPER ASSEMBLY AND FOR ANY DAMAGE. IF ANY PART IS DAMAGED, DO NOT USE. REPLACE COMPONENTS IMMEDIATELY.

**WARNING:** DO NOT USE STRAP IF WORN, FRAYED, OR DAMAGED IN ANY WAY. BREAKING OF STRAP COULD CAUSE SERIOUS DAMAGE TO SURROUNDING AREAS, SERIOUS INJURY, AND/OR DEATH.

**WARNING:** DO NOT USE HANDS TO GUIDE STRAP OF MANUAL WINCH. USE CLEAN HANDS WHEN OPERATING WINCH.

**WARNING:** ALWAYS LEAVE THREE (3) LAYERS OF STRAP AROUND THE WINCH AXLE.

**WARNING:** BEFORE CRANKING THE HANDLE, ENSURE RATCHET PAWL IS ENGAGED. IF TWO HANDS ARE NEEDED TO CRANK, MAX CAPACITY OF WINCH MAY BE OVERLOADED.

**WARNING:** CHECK MANUAL WINCH BEFORE, DURING, AND AFTER MOUNTING AND USE. CHECK THE WINCH AND MOUNTING HARDWARE REGULARLY. IT IS RECOMMENDED TO CHECK AFTER THE FIRST TEN (10) MILES (16KM) AFTER INSTALLATION.

**WARNING:** DO NOT LUBRICATE PARTS DURING INSTALLATION. LUBRICATION COULD ALLOW FOR TORQUE TO EXCEED LIMITATIONS AND CAUSE PRODUCT TO FAIL. PROPER MOUNTING INSTALLATION IS CRITICAL FOR WINCH TO REACH MAXIMUM CAPACITY RATING.

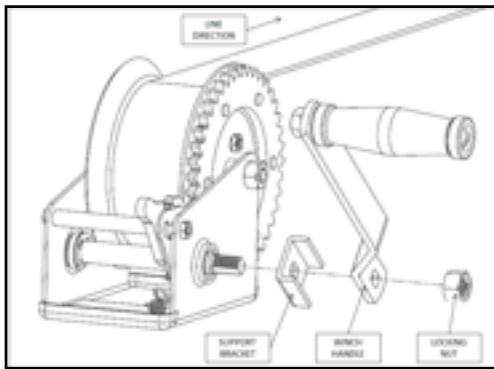


FIGURE 1

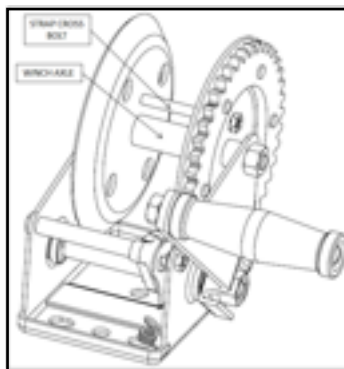


FIGURE 2

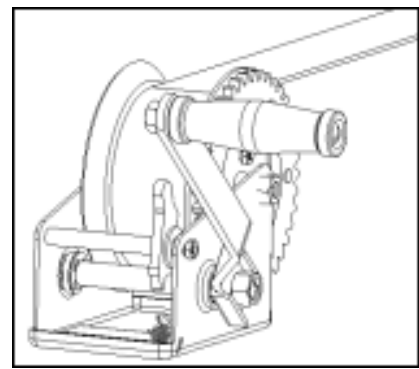


FIGURE 3

### INSTALLATION:

1. ASSEMBLE THE WINCH HANDLE AS SHOWN IN FIGURE 1. TIGHTEN LOCKING NUT TO A TORQUE OF 25 FT-LBS. DO NOT OVER TORQUE.
2. MOUNT THE WINCH WITH THREE (3), 3/8" DIAMETER, GRADE-5 HARDWARE (BOLTS AND LOCKNUT OR LOCKWASHER AND NUT) AND TORQUE TO 30FT-LBS. (41N-M).

### ATTACHING A WINCH STRAP

1. NOTE: PART NUMBER 795 IS NOT SOLD WITH A WINCH STRAP. TO ATTACH A WINCH STRAP PASS THE STRAP CROSS BOLT THROUGH THE LOOP ON THE STRAP END AND REINSTALL STRAP CROSS BOLT AS SHOWN IN FIGURE 2. TIGHTEN STRAP CROSS BOLT WITH PROVIDED NUT AND TORQUE TO 10FT-LBS. (14N-M). TORQUEING ABOVE THIS COULD RESULT IN THE WINCH BENDING AND CAUSE IT TO FAIL BELOW CAPACITY. CHECK TO ENSURE WINCH SPINS FREELY BY HAND. NOTE: ALWAYS LEAVE THREE (3) LAYERS OF STRAP AROUND THE AXLE DURING OPERATION. FIGURE 3 SHOWS THE WINCH FULLY ASSEMBLED.

**\*\*\*NOTE: FIRMLY HOLD ONTO THE WINCH HANDLE BEFORE MOVING THE POSITION OF THE RATCHET PAWL.\*\*\***

THE ATTACHMENT AND INSTALLATION OF THIS PRODUCT IS CRITICAL AND BEYOND THE CONTROL OF WINSTON PRODUCTS, LLC. WINSTON PRODUCTS, LLC IS NOT RESPONSIBLE FOR ANY DAMAGE THAT COULD RESULT FROM IMPROPER USE, INSTALLATION, OR ATTACHMENT. AT NO TIME SHOULD THE SAFE WORKING LOAD OF THIS PRODUCT BE EXCEEDED.

IF YOU EXPERIENCE ANY PROBLEMS WITH YOUR TOWSMART PRODUCT DO NOT RETURN THE UNIT TO THE RETAILER FROM WHICH IT WAS PURCHASED. INSTEAD, PLEASE CALL 1-844-295-9215 FOR ASSISTANCE WITH ANY PROBLEMS. WARRANTY INFORMATION IS AVAILABLE UPON REQUEST AND CAN BE FOUND ONLINE AT [WWW.TOWSMART.COM](http://WWW.TOWSMART.COM).