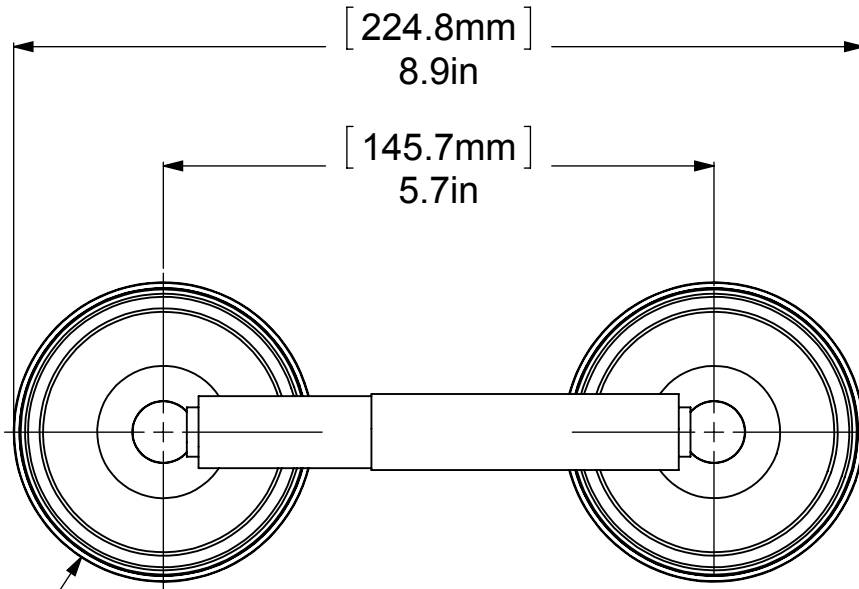
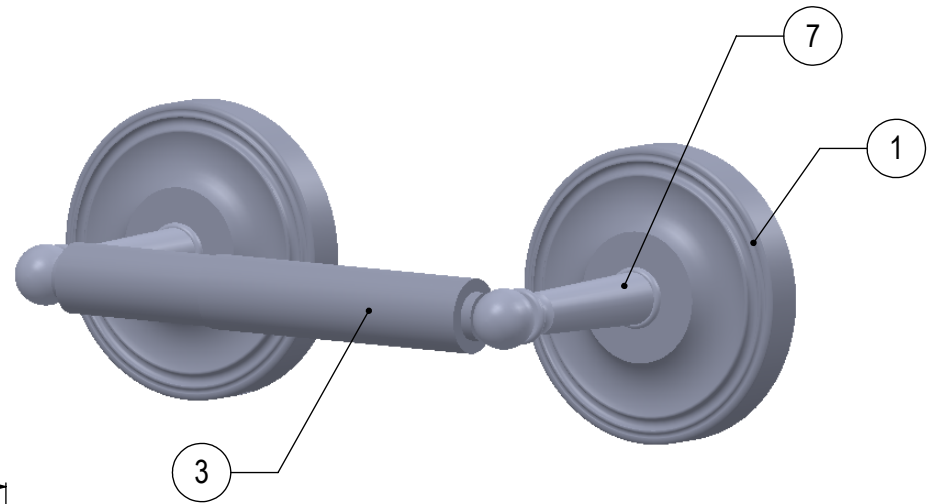
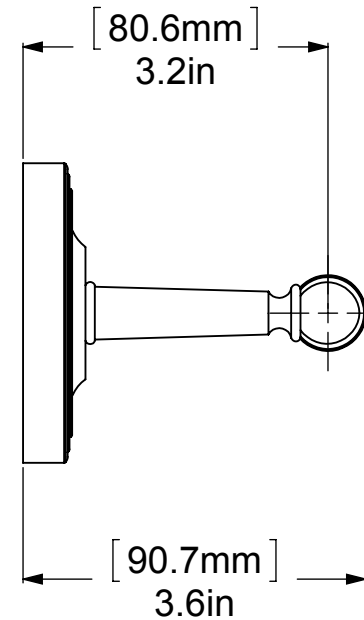


ITEM NO.	PART NUMBER	DESCRIPTION	QTY.
1	BPPR	Base	2
2	PSTDS-TT	POST	2
3	RLB SET	RLB SET	1



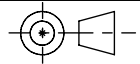
[78.9mm]
Ø 3.1in




UNLESS OTHERWISE STATED

.X	±.3mm
.XX	±.15mm
.XXX	±.008mm

COPYRIGHT © Allied Brass 2016



THIRD ANGLE PROJECTION

DRAWN	7/13/2016	I.M	MATERIAL:	BRASS	FINISH	TBD
CHECKED	7/13/2016	P.D	DESCRIPTION:		QUANTITY	TBD
APPROVED	7/13/2016	R.A	TISSUE HOLDER		DRAWING No.	REV
					R-24	0
				SCALE	1:2	SHEET: 01
						A4