

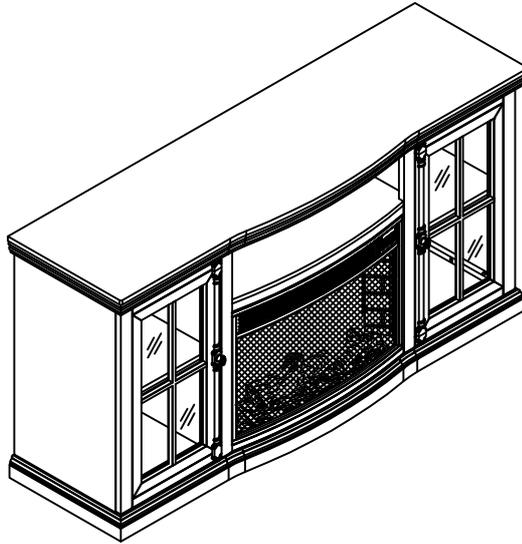
Item # 765186/1002543884
Item # 765476
Item # 765475

HOME DECORATORS COLLECTION

Model # BSF-1761-OAK
Model # BSF-1761-BK
Model # BSF-1761-ASH

USE AND CARE GUIDE

67in Infrared Media Electric Fireplace Manor Place Collection
67in Media Console Infrared Electric Fireplace in Ash Black with Bluetooth Speaker
67in Media Console Infrared Electric Fireplace in Ash with Bluetooth Speaker



IMPORTANT INSTRUCTIONS

PLEASE READ THIS MANUAL BEFORE INSTALLING AND USING APPLIANCE

WARNING!

**IF THE INFORMATION IN THIS MANUAL IS NOT FOLLOWED EXACTLY, AN ELECTRICAL SHOCK OR FIRE MAY RESULT
CAUSING PROPERTY DAMAGE, PERSONAL INJURY OR LOSS OF LIFE.**

**INSTALLER: Leave this manual with the appliance.
CONSUMER: Retain this manual for future reference.**

Questions, problems, missing parts? Before returning to the store,
call Home Decorators Collection Customer Service
8 a.m. - 7 p.m., EST, Monday-Friday, 9 a.m. - 6 p.m., EST, Saturday

1-800-986-3460

HOMEDEPOT.COM/HOMEDECORATORS

THANK YOU

We appreciate the trust and confidence you have placed in Home Decorators Collection through the purchase of this Jamerson Manor collection electric fireplace media mantel. We strive to continually create quality products designed to enhance your home. Visit us online to see our full line of products available for your home improvement needs. Thank you for choosing Home Decorators Collection!

Table of Contents

Table of Contents	2	Package Contents	6
Warranty	2	Assembly	7
Safety Information	3	Operation	14
Pre-Assembly	5	Care And Maintenance	15
Planning Assembly	5	FCC Information	16
Tools Required	5	Shelf Weight Capacity	16
Hardware Included	5	Troubleshooting	17
		Service Parts	18

Warranty

Manufacturer warrants this product to be free from defects in materials and craftsmanship. This warranty is extended to the original consumer purchaser for a period of 1 year from the original date of purchase. Only the date on the original purchase receipt shall be used to determine the warranty period; no product registration is required. During the warranty period Manufacturer shall, at its discretion, repair or replace any component that proves to be defective in either material or craftsmanship under normal use and with proper care.

Exclusions from this warranty include, but are not limited to, normal wear and tear; detachable parts; any damage caused by accident, failure to follow instructions provided at the time of purchase or as set out in the instruction manual, packaging or other materials provided to the purchaser, negligence, improper or abusive use, acts of nature; damage after the product has been altered or modified; or any other damage not arising from defects in materials or craftsmanship.

Manufacturer liability for any defects in the product shall be limited to the repair and replacement of the defective part only.

If warranty service is needed, contact the Customer Service Team at 1-800-986-3460 from 8 a.m. - 7 p.m., EST, Monday-Friday, 9 a.m. - 6 p.m., EST, Saturday or visit www.homedepot.com/homedecorators.

Make sure you have your warranty, your sales receipt, and the model/serial number of your product.

DO NOT ATTEMPT TO DO ANY SERVICE WORK YOURSELF.

Safety Information

Please read and understand this entire manual before attempting to operate or install the product.

To avoid malfunction, please be certain the input voltage of the electric fireplace insert and the voltage of the outlet are identical before plugging in. Check the unit for any damage that may exist (such as missing screw, dents, etc.) before using this device.

When first used, the electric fireplace insert may emit a slight odor. This is normal and harmless and will go away after the first few uses.

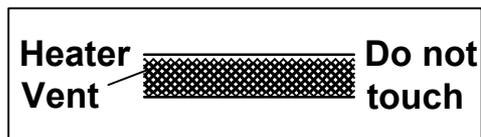
The outlet must be 15A/120V.

DO NOT touch the vent when heater is turned on.

This product is very heavy. It is recommended at least two people work together to assemble it.

You may use the carton to protect the fireplace during assembly.

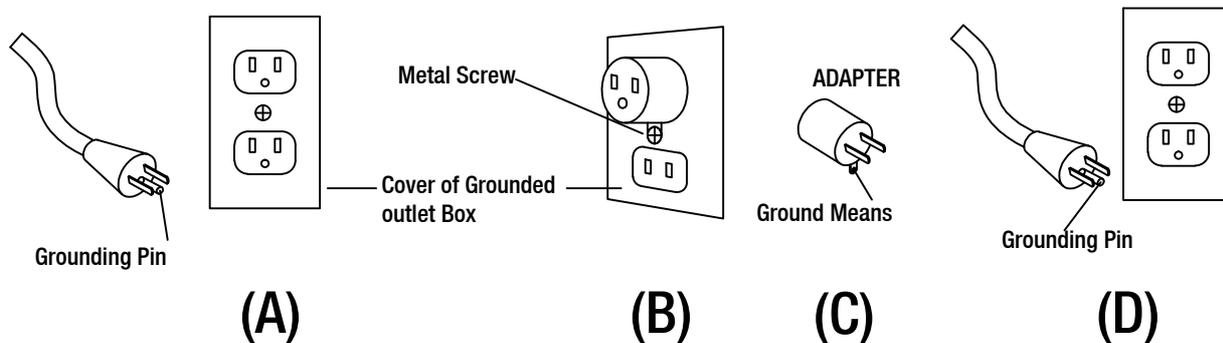
Do not use power tools.



Grounding Instructions:

This heater is suitable for 120 volts. The cord has a plug as shown in FIGURE A.

An adapter (not included) as shown in FIGURE C can be used to connect three-blade grounding-type plugs into two-slot receptacles. The green grounding plug extending from the adapter must be connected to a permanent ground such as a properly grounded outlet box. The adapter should not be used if a three-slot grounded receptacle is available.



WARNING IMPORTANT OPERATING INSTRUCTIONS.

- This fireplace is hot when in use. To avoid burns, never allow bare skin to touch hot surfaces. Use handles (if provided) when moving this fireplace. Keep all flammable/combustible materials, including (but not limited to) furniture, pillows, bedding, papers, clothes and curtains a minimum of 3 feet from this fireplace at all times.
- Proper ventilation is required when operating this fireplace. NEVER cover this device with anything that could restrict air circulation to or from the unit.
- To prevent a possible fire, DO NOT install or use this fireplace directly on carpet, beds or similar soft surfaces as this may block air intakes, exhaust outlets or otherwise restrict air circulation beneath the heater.
- Extreme caution is necessary when this fireplace is used by or near children or individuals with restricted mobility.
- NEVER leave this fireplace unattended when in use.
- Always unplug this fireplace when not in use. Turn off all controls prior to removing the plug from the power source.
- This fireplace is designed for indoor use only. NEVER use this device outdoors.
- Connect this fireplace only to properly grounded outlets.
- Make sure plug is fully inserted into the electrical outlet to avoid fire caused by short circuit.
- Use caution and do not strike the glass on this fireplace.
- NEVER use this device in bathrooms, laundry areas or similar locations where it may come into contact with water.
- Avoid placing the power cord in high traffic areas where it could become damaged or be a trip hazard.
- DO NOT run the power cord under carpeting, furniture or appliances.
- NEVER cover the power cord with throw rugs, runners or similar coverings.
- DO NOT operate this device with a damaged power cord or plug.

Safety Information (continued)

- DO NOT operate this device if the cord becomes damaged, after the unit malfunctions in any way, has been dropped or becomes damaged in any manner. If this happens, discard the unit or return to an authorized service facility for inspection and/or repair.
- DO NOT insert or allow foreign objects to enter any ventilation or exhaust opening as this may cause an electric shock, fire or damage to this fireplace.
- This fireplace utilizes sparks and arcing in its internal operation. NEVER use this device in areas where gasoline, paint or other flammable liquids are used or stored.
- Always plug heaters directly into a wall outlet/receptacle; never use with an extension cord or relocatable power tap (outlet power strip).
- This fireplace may be equipped with a warning mechanism such as an audible visual alarm to warn of overheating. If the alarm is activated, immediately turn off and inspect the device for anything that may have caused the alarm. DO NOT OPERATE THE DEVICE WITH THE ALARM ACTIVATED.
- NEVER burn wood or other materials of any kind in this fireplace.
- Always use a licensed electrician for any maintenance to this device.
- Always use properly grounded, fused and polarized outlets.
- Always use ground fault protection where required by local electrical code.
- Always disconnect the device from its power source before moving the device or performing any cleaning or maintenance.
- To avoid damage when transporting or storing this fireplace, always keep both the insert and its power cord in a dry place and free from excessive vibration.
- DO NOT tangle power cord with cords of other appliances when in use.
- Use this fireplace ONLY as described in this manual. Using this device in a manner other than recommended by the manufacturer may cause fire, electric shock, injury to persons, and/or damage to property.
- The remote control requires 1 lithium coin cell battery (size CR2025). Do not ingest.
DO NOT mix old and new batteries.
Non-rechargeable batteries are not to be recharged.
DO NOT use rechargeable silver oxide cell batteries with remote control unit.
DO NOT mix alkaline, standard (Carbon-Zinc) or rechargeable (Nickel-Cadmium) batteries.
DO NOT dispose of batteries in fire. Improper disposal may cause batteries to leak or explode.
Exhausted batteries are to be removed from the product.

SAVE THESE INSTRUCTIONS

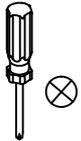
Pre-Assembly

PLANNING ASSEMBLY

Before beginning assembly of product, make sure all parts are present. Compare parts with package contents list and hardware contents list. If any part is missing or damaged, do not attempt to assemble the product.

Estimated Assembly Time: 45 minutes

TOOLS REQUIRED

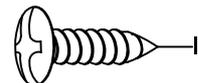
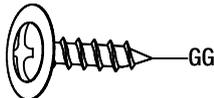
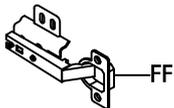
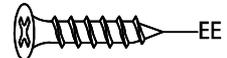
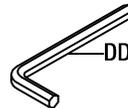
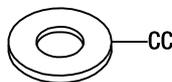
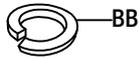


Phillips screwdriver
(Not provided)

HARDWARE INCLUDED



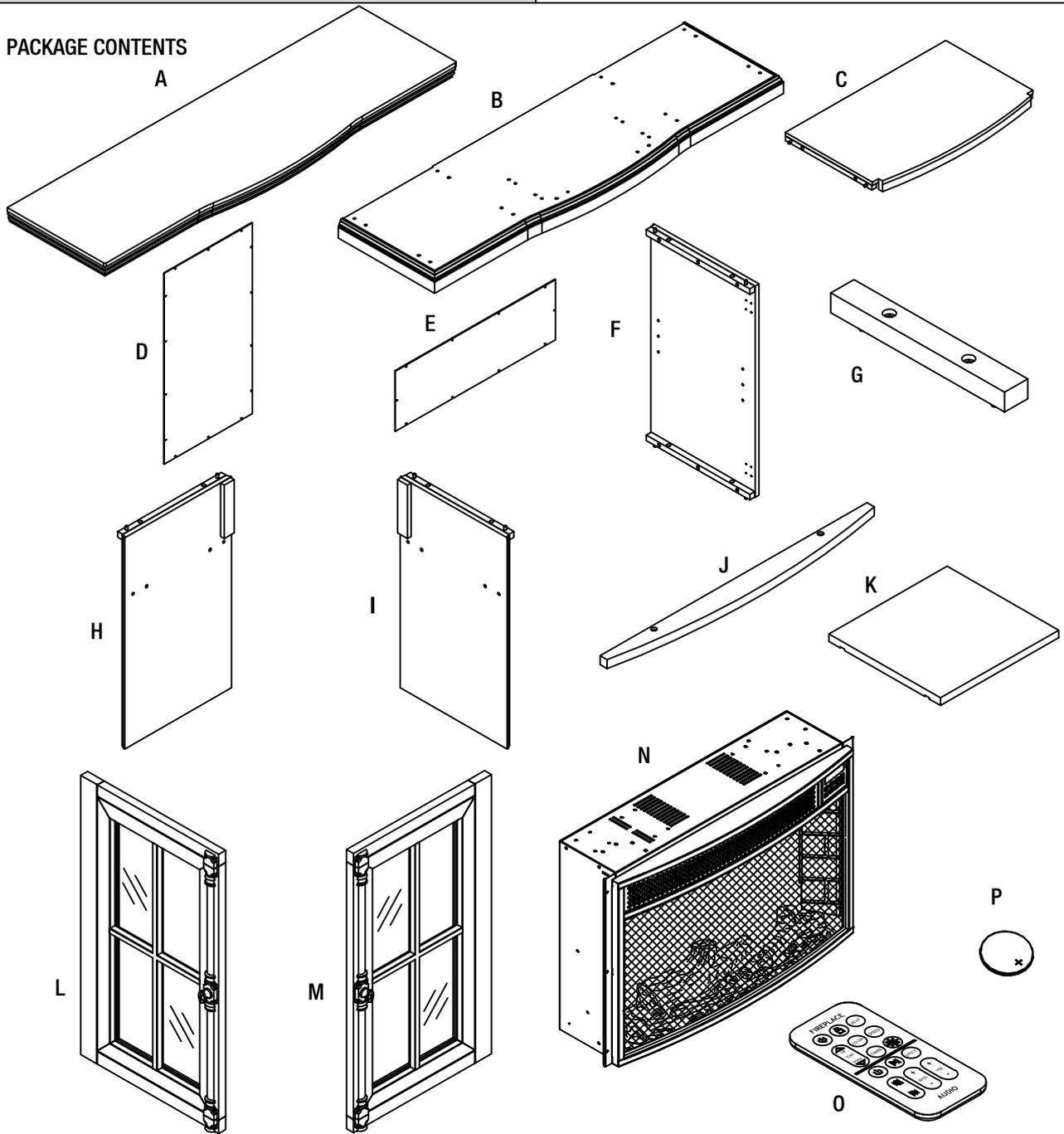
NOTE: Hardware not shown to actual size.



PART	DESCRIPTION	QUANTITY
AA	Bolt	26
BB	Spring Washer	20
CC	Flat Washer	20
DD	Hex Wrench	1
EE	Flat Head Screw	24
FF	Door Hinge	4
GG	Round Head Screw	38
HH	Shelf Pin	8
II	Round Head Screw	6

Pre-Assembly (continued)

PACKAGE CONTENTS



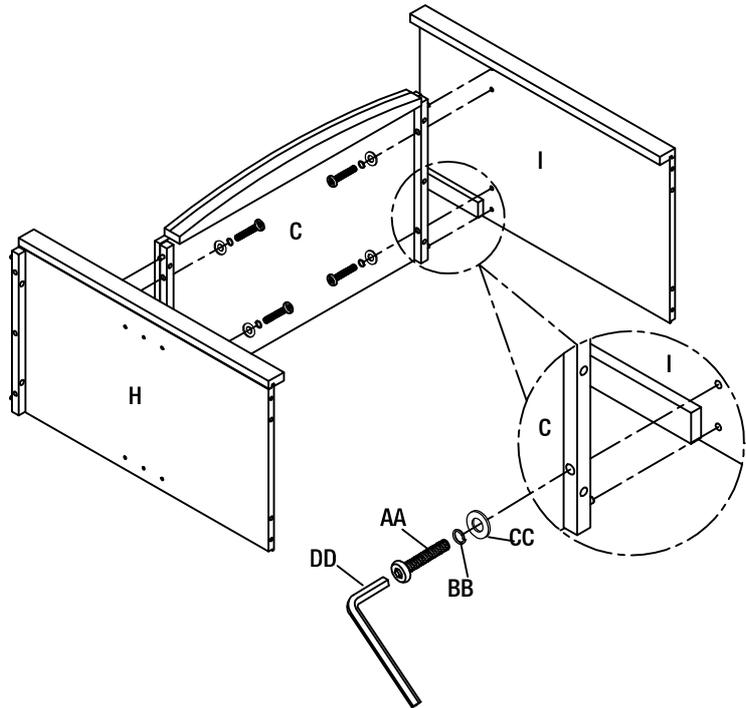
PART	DESCRIPTION	QUANTITY
A	Top	1
B	Base	1
C	Shelf	1
D	Side Back Panel	2
E	Middle Back Panel	1
F	Side Panel	2
G	Base Bar	2
H	Left Partition	1

PART	DESCRIPTION	QUANTITY
I	Right Partition	1
J	Base Trim	1
K	Small Shelf	2
L	Left Door	1
M	Right Door	1
N	Electric Fireplace Insert	1
O	Remote Control	1
P	Battery	1

Assembly

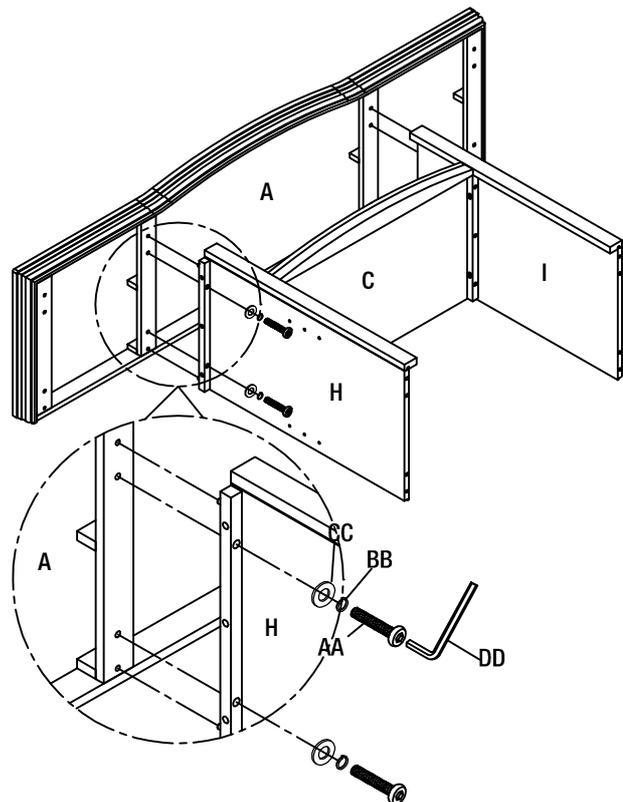
1 Installing the partition and shelf

- With assistance from other adults, hold the Left and Right partition (H&I) vertically on a smooth and soft surface.
- Correspondingly insert the tenons of the Shelf (C) into holes of Left and Right partition (H&I). Make sure the holes of the Left and Right partition (H&I) and the holes of the Shelf (C) match.
- Then attach them with Flat washers (CC), Spring washers (BB) and Bolts (AA) using the Hex wrench (DD).
- Do not tighten all bolts in this step for later adjustment.



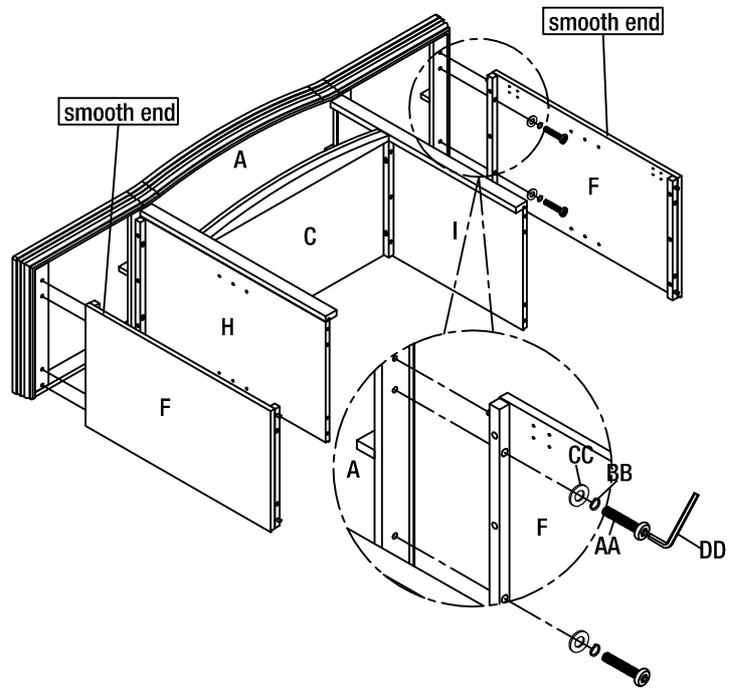
2 Attaching the top

- With assistance from other adults, hold the Top (A) vertically, insert the wooden tenons of the Left and Right partition (H&I) into the corresponding holes of the Top (A). Slightly move parts to make sure the holes of the Left and Right partition (H&I) and the holes of the Top (A) match.
- Then attach them with Flat washers (CC), Spring washers (BB) and Bolts (AA) by using the Hex wrench (DD).
- Do not tighten all bolts in this step for later adjustment.



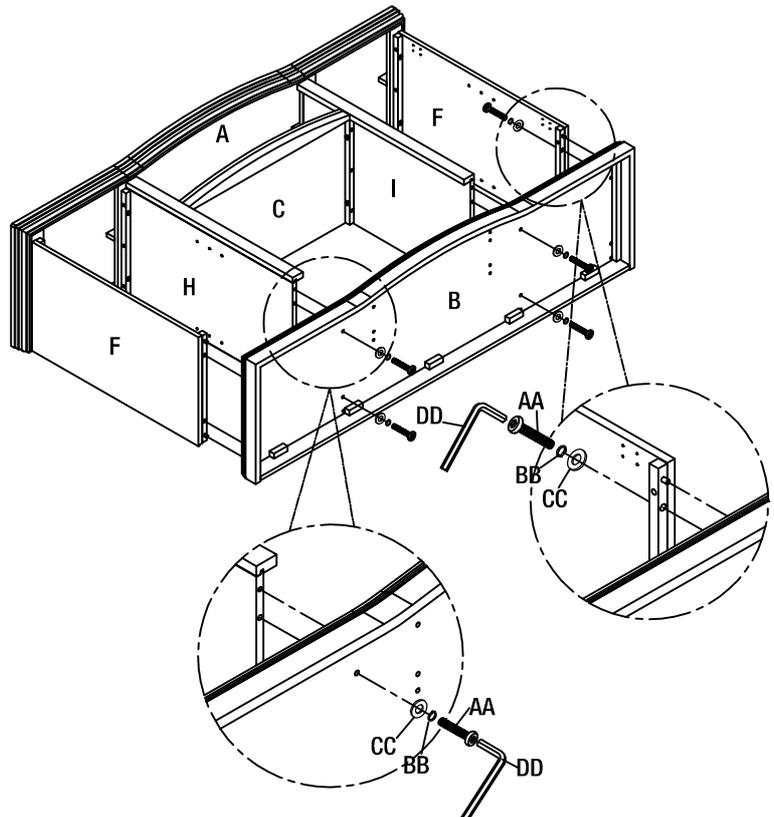
3 Attaching the lower side panel

- With assistance from other adults, place the Lower side panel (F) on the smooth and soft surface with the smooth end on top.
- Insert the wooden tenons into the corresponding holes of the Top (A). Slightly move parts to make sure the holes of the Lower side panel (F) and the holes of the Top (A) match.
- Then attach them with Flat washers (CC), Spring washers (BB) and Bolts (AA) by using the Hex wrench (DD).
- Repeat the above steps to attach another Lower side panel (F) to the Top (A).
- Do not tighten all bolts in this step for later adjustment.



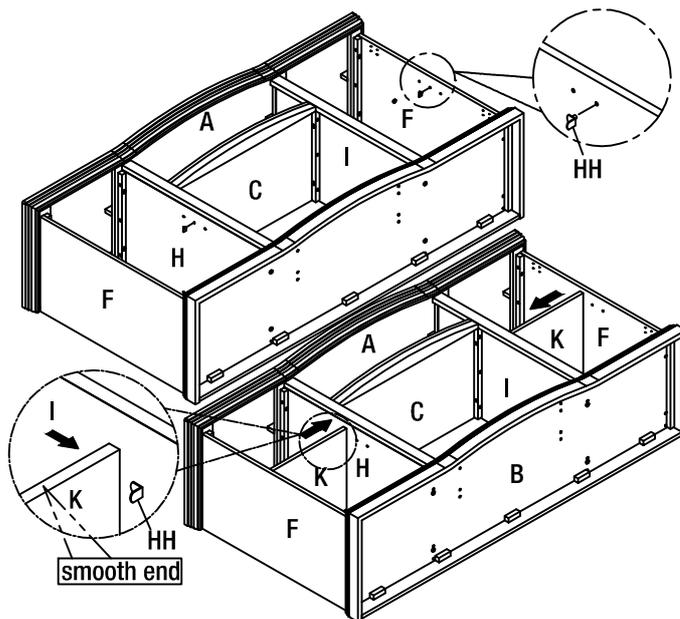
4 Attaching the base

- With assistance from other adults, slightly move parts to insert the wooden tenons of the Lower side panel (F) and Left and Right partition (H&I) into the corresponding holes of the Base (B).
- Attach them with Flat washers (CC), Spring washers (BB) and Bolts (AA) by using the Hex wrench (DD).
- Do not tighten all bolts in this step for later adjustment.



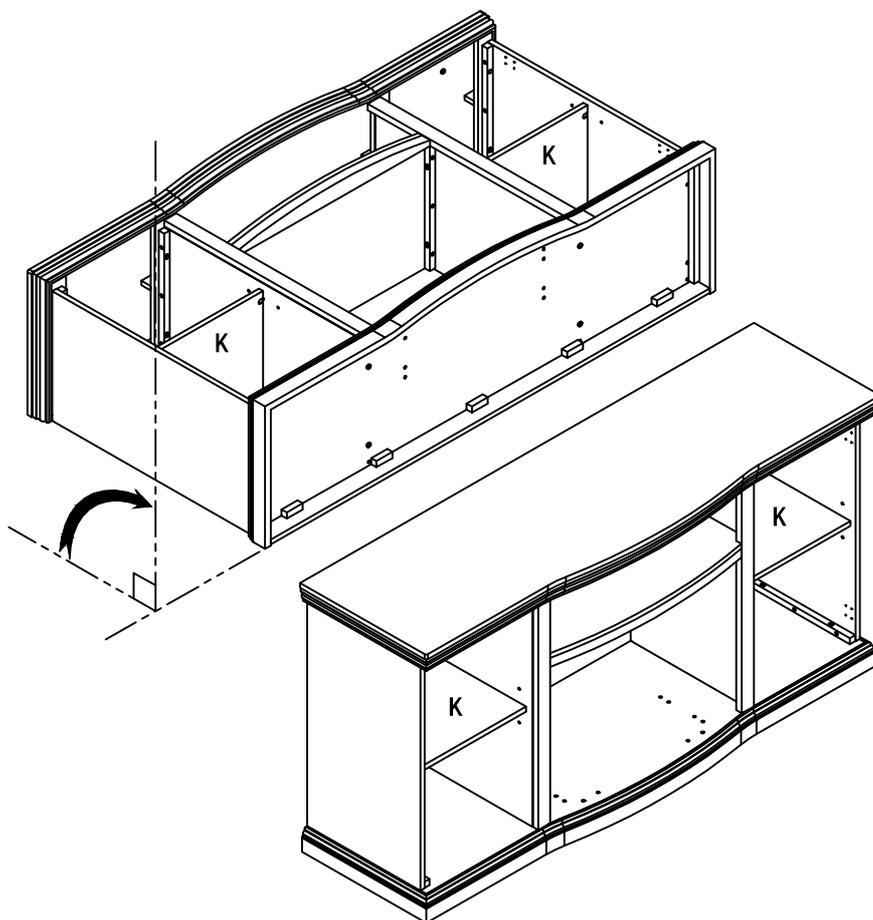
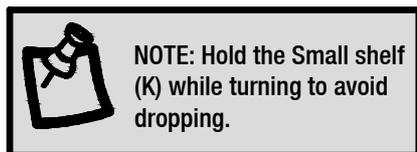
5 Attaching the small shelf

- Place the Shelf pins (HH) into the holes of the Lower side panel (F) and Left and Right partition (H&I) at the middle row. (You may choose the upper or Lower row according to your needs, but the height of both Small shelves (K) should be consistent).
- Then, place the Small shelf (K) carefully into the mantel with the grooves facing down and the smooth side facing the front of the mantel. (If there is difficulty, you may slightly move the Lower side panel (F) and Left and Right partition (H&I).) Make sure the Small shelves (K) correspondingly sit on the Shelf pins (HH).
- Adjust all parts, bring the Lower side panel (F) and Left and Right partition (H&I) towards center, and tighten all bolts installed in steps 1-4.



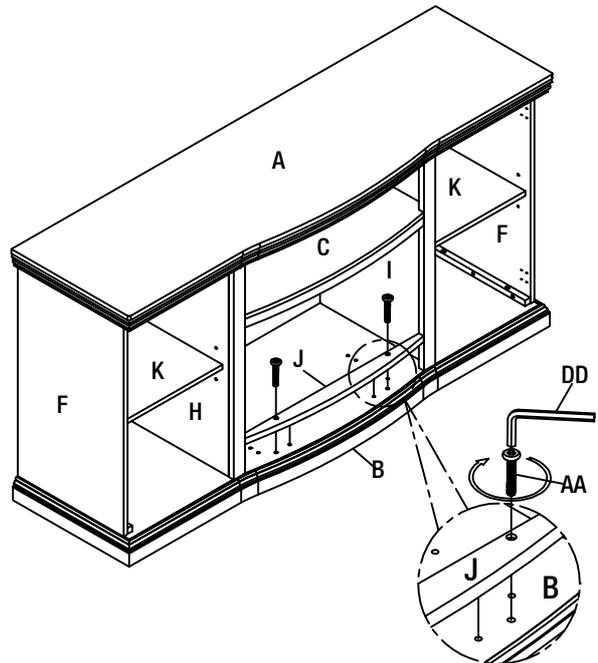
6 Turning the mantel upright

- With assistance from other adults, turn the mantel upright.



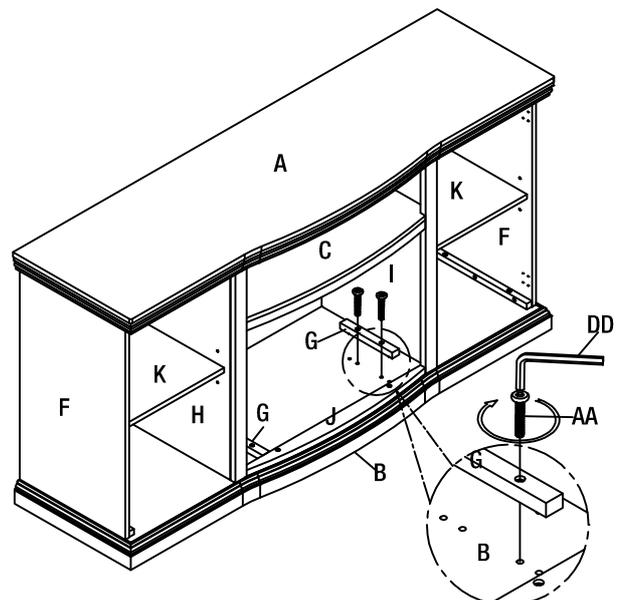
7 Attaching the base trim

- Insert the wooden tenons of the Base trim (J) into the corresponding holes of the Base (B).
- Then attach them with Bolts (AA) by using the Hex wrench (DD).
- Tighten all bolts in this step.



8 Attaching the base bar

- Insert the wooden tenons of the Base bar (G) into the corresponding holes of the Base (B).
- Then attach them with the Bolts (AA) by using the Hex wrench (DD). Repeat the above steps to attach another Base bar (G) to the Base (B).
- Tighten all bolts in this step.

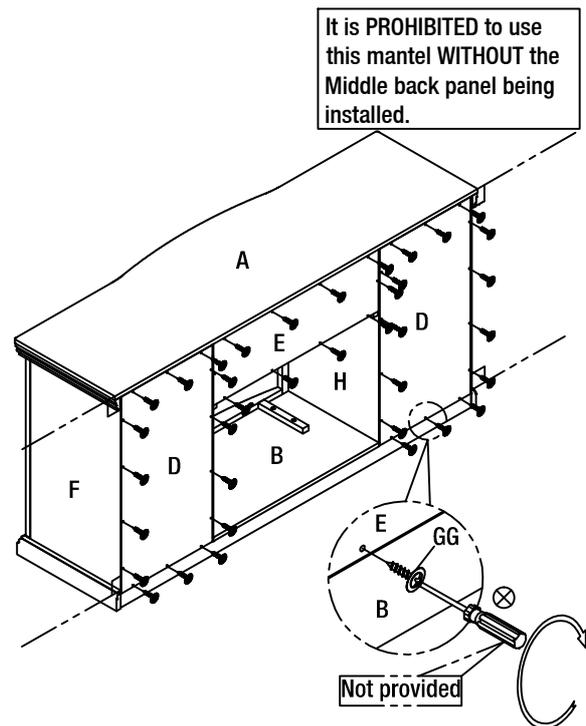


9 Installing the back panel

- Attach the Side back panel (D) and Middle back panel (E) to the back of the mantel by using Round head screws (GG) and a screwdriver (not provided). Make sure the OAK veneer side of the back panels face the front of the fireplace.

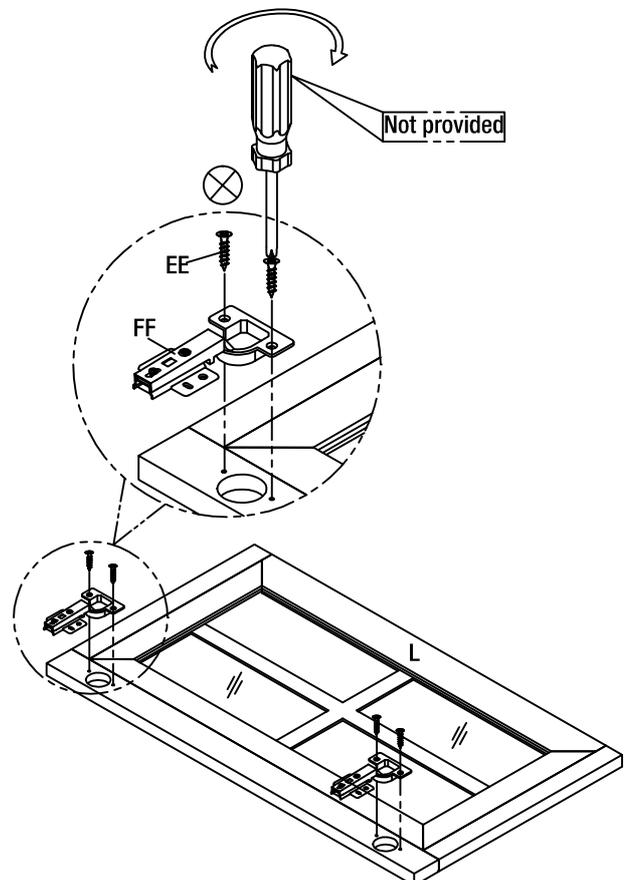


Note: If the fireplace mantel is sloping, it is normal. Please move the mantel straight (90 degree angle) when installing back panels. Place the Side back panel (D) so it is fully in the groove of Base (B) and the groove of Lower side panel (F). There should be no space between the grooves and back panels. Center Middle back panel (E) and make sure the bottom edge of it tightly pushes against the bottom edge of the Shelf (C).



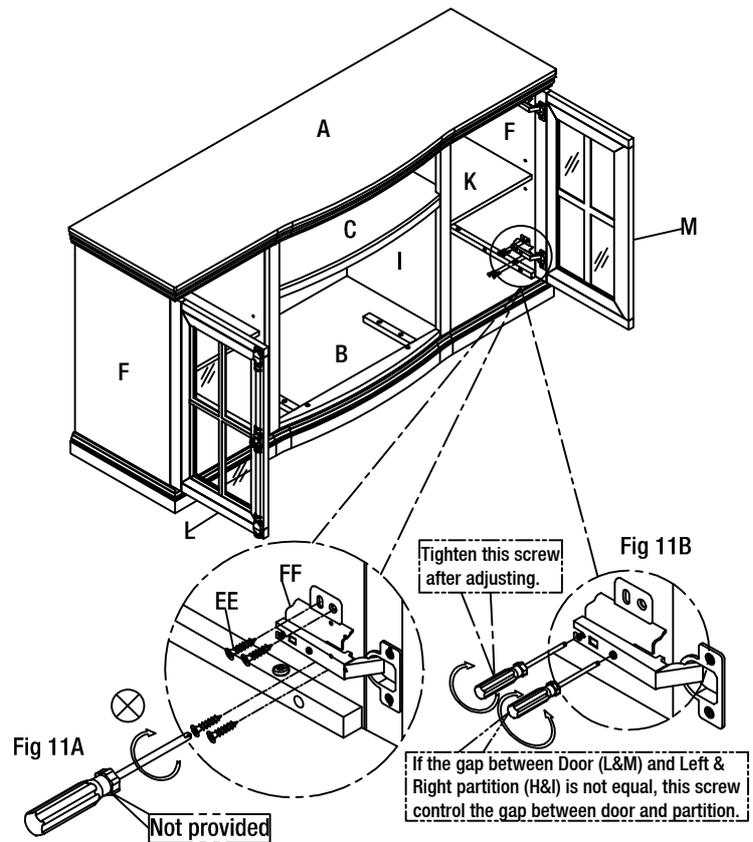
10 Attaching the door hinge

- Place the Left door (L) facing down on a soft and smooth surface.
- Align the holes on the Door hinge (FF) and the punctures on the Left door (L).
- Attach them with Flat head screws (EE) using a screwdriver (not provided).
- Repeat the above steps to attach the Door hinge (FF) to the Right door (M).
- Tighten all screws in this step.



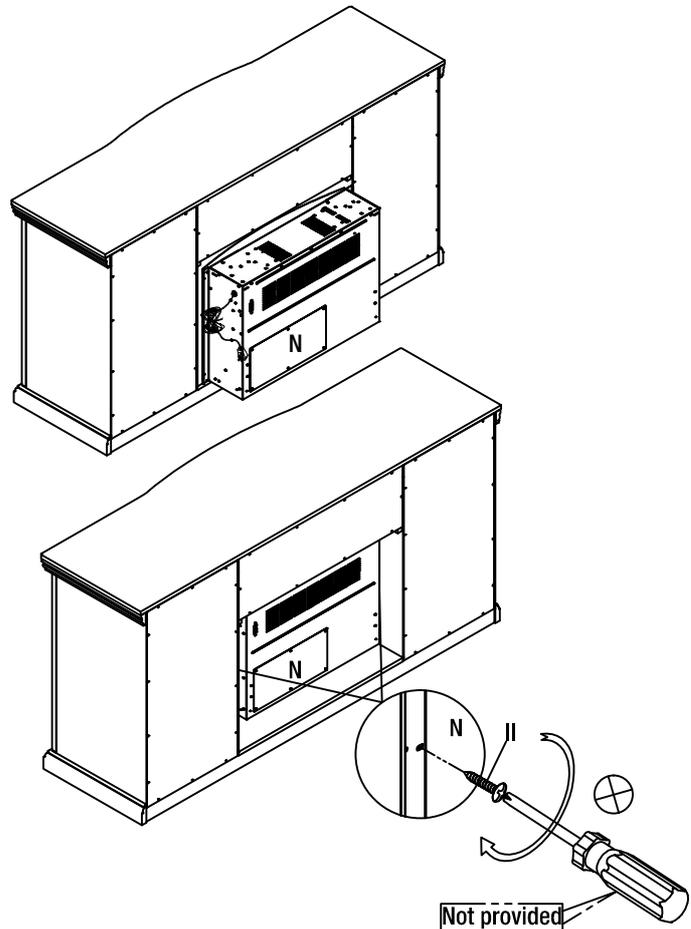
11 Attaching the door

- With assistance from other adults, align the holes of the Door hinge (FF) on the Left and Right door (L&M) with the punctures on the Lower side panel (F).
- Then attach them with Flat head screws (EE) using a screwdriver (not provided) as shown in Figure 11A.
- If the gap between the Left and Right door (L&M) and the Lower side panel (F) and the Left and Right partition (H&I) are not equal, you can adjust the Door hinge (FF) to make it equal, as shown in figure 11B.

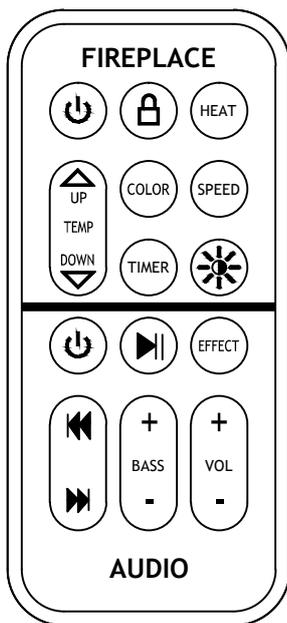


12 Attaching the electric fireplace insert

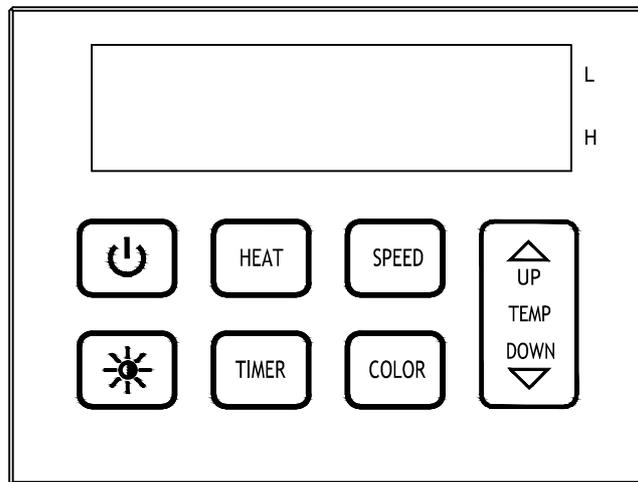
- Place the Electric fireplace insert (N) into the mantel from the back and gently push forward to the proper position and place it at the center.
- Attach the Electric fireplace insert (N) with Round head screws (II) using a screwdriver (not provided).



Operation



Remote Control (O)



Control Panel on electric fireplace insert (N)



WARNING-The fireplace must be properly installed before it is used.

There are 18 buttons on the remote control and 8 corresponding buttons on the control panel of the electric fireplace insert.

FIREPLACE

<  > Turns the flame and logs On/Off.

<  > Controls the brightness of the flame and logs.

<HEAT> Controls the functions of the heater. Press the button once to set the heater to HIGH (1,500 watts/hour). Press the button twice to set the heater to LOW (750 watts/hour). Press the button three times to turn the heater OFF.

<COLOR> Controls the color of the flame. The default setting for the flame color is YELLOW. Each time the flame button is pressed, the color of the flame will change. The last setting causes the flames to automatically and continuously cycle through all colors, changing every 15 seconds. Pressing the COLOR button one more time will return to the default color.

<SPEED> Controls the speed at which the flame effect turns. There are 5 speed levels. The default speed is level three. There are two slower speeds and two faster speeds which can be set by pressing the SPEED button.

<TIMER> Controls the duration of the heater timer. Press the TIMER button to increase the timer setting by 1 hour each time this button is pressed (settings from 0 hour to 8 hours). When the control panel shows "0H", the TIMER function has not been activated.

<UP> increases the temperature. Press once, temperature will increase by 1°F. Long press this button, temperature will go up continuously. The options are between 60°F-97°F.

<DOWN> decreases the temperature. Press once, temperature will decrease by 1°F. Long press this button, temperature will go down continuously. The options are between 60°F-97°F.

<  > Press this button for more than 2 seconds to lock the fireplace. This prevents misuse by children and interference by other remote controls of other home devices. Press this button for more than 2 seconds again to unlock this function.

Operation (continued)

AUDIO

This fireplace include Bluetooth speaker, the Qualified Design ID (QDID) is 91284.

<  > Turns the Bluetooth either on or off. When the Bluetooth is on, press the button once to turn the Bluetooth off. "GOODBYE" will sound from the speaker. Press it again to turn the Bluetooth on. "HELLO" will sound from the speaker. During waiting for a connection, "Wait pair" will sound from the speaker. When the Bluetooth connection is successfully paired, "Ok" will sound from the speaker. At this point, you can play music from the phone. When the Bluetooth is disconnected, "disconnected" will sound from the speaker.

<  > Pause button. During Bluetooth Music playing, press this button to pause the music, press this button again to continue playing.

<EFFECT> Controls the sound effect mode. Each time the EFFECT button is pressed, the sound effect scene mode changes. Available settings are Opera, Rock, Classic and Jazz.

<  &  > Previous and next song selection button. During music playing, press  button to go back to the previous song; press  button to go to the next song.

<  &  > Control the Bass of the music. Press  or  to increase or decrease the bass by one level. Press and hold to scroll up or down through the 12 levels.

<  &  > Control the volume. Press  or  to increase or decrease the volume by one level. Press and hold to scroll up or down through the 12 levels.

Other Important Features

- To protect the heater, the fan will continue turning for a few seconds after heater is shut down.
- If the temperature inside of the electric fireplace insert (N) becomes abnormally high, the temperature protection mechanism will turn on automatically and the heater will be shut down within a few seconds. Please remove the power cord from outlet and wait a few minutes for heater to cool down or until temperature protection mechanism reconnects, then plug in the power cord to resume.

CARE AND MAINTENANCE

- ALWAYS disconnect the power cord from the electrical outlet before any internal maintenance or replacement of parts is done.
- Dust the fireplace on a regular basis using a soft, lint-free cloth and a high-quality furniture polish. Always avoid "dry dusting" the fireplace as dusters can scratch the wood finish.
- Always use the same type of furniture polish when dusting the fireplace. Alternating between different types of furniture polish can cause clouding of the wood finish.
- Avoid using soap/water to clean the fireplace. Soap can damage the wood finish and water can penetrate the wood causing damage. Anytime liquid comes into contact with the fireplace, it should be dried immediately to avoid damage to the wood.
- If possible, the fireplace should be placed in a location where it will not be exposed to direct sunlight for long periods of time. Sunlight can cause damage to wood finishes, so minimizing its exposure will lengthen the life of the fireplace.
- Use caution when opening the metal cabinet of the electric fireplace insert during inspection and maintenance.
- Battery Replacement: The remote control requires 1 lithium coin cell battery (size CR2025).

FCC Information

NOTE:

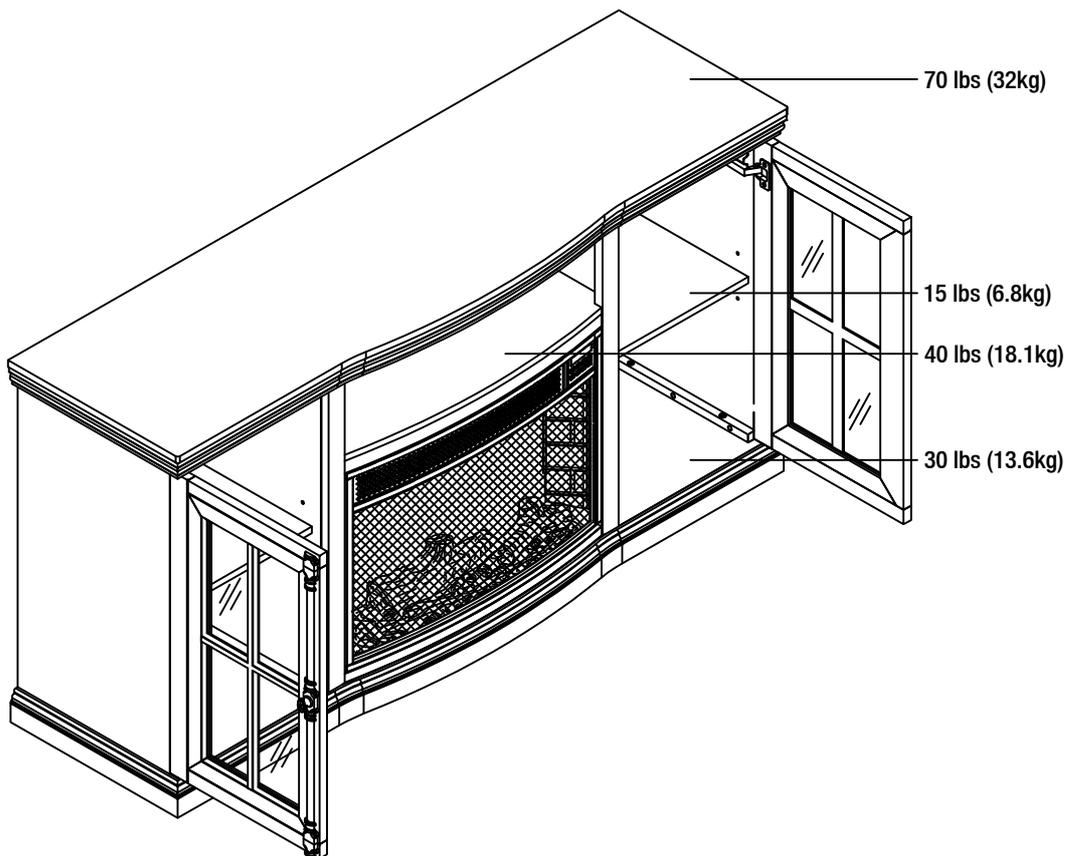
This equipment has been tested and found to comply with the limits for a Class B digital device, pursuant to part 15 of the FCC Rules. These limits are designed to provide reasonable protection against harmful interference in a residential installation. This equipment generates, uses, and can radiate radio frequency energy and, if not installed and used in accordance with the instructions, may cause harmful interference to radio communications. However, there is no guarantee that interference will not occur in a particular installation. If this equipment does cause harmful interference to radio or television reception, which can be determined by turning the equipment off and on, the user is encouraged to try to correct the interference by one or more of the following measures:

- Reorient or relocate the receiving antenna.
- Increase the separation between the equipment and the receiver.
- Connect the equipment into an outlet on a circuit different from that to which the receiver is connected.
- Consult the dealer or an experienced radio/TV technician for help.



Warning: Changes or modifications to this unit not expressly approved by the party responsible for compliance could void the user's authority to operate the equipment.

Shelf Weight Capacity



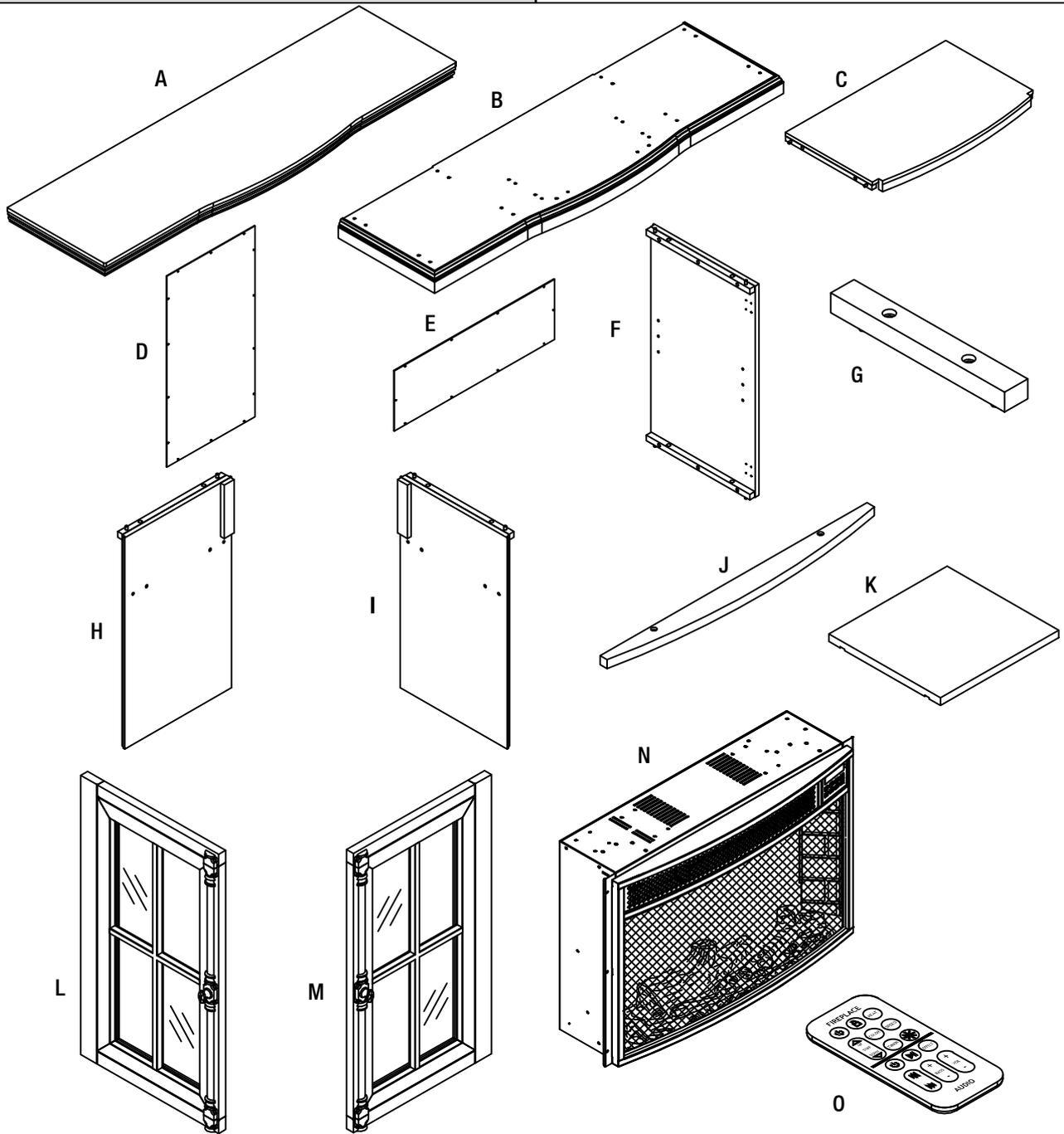
CAUTION: This cart (or stand) is intended for use only with the maximum weights indicated. Use with products heavier than the maximum weights indicated may result in instability causing possible injury.

Troubleshooting

If you have any questions regarding the product, please call Home Decorators Collection Customer Service, 1-800-986-3460, 8 a.m. -7 p.m. EST, Monday - Friday, 9 a.m. - 6 p.m., EST, Saturday.

Problem	Possible Cause	Solution
There is no power. The unit or lights do not turn on.	<ul style="list-style-type: none"> <input type="checkbox"/> Unit is not plugged into a standard 120-volt outlet. <input type="checkbox"/> The main power button on the control panel is not in the "On" position. 	<ul style="list-style-type: none"> <input type="checkbox"/> Verify unit is plugged into a standard 120-volt outlet. <input type="checkbox"/> Verify the main power button on the control panel is "On".
Power is on but logs/ember bed do not glow.	<ul style="list-style-type: none"> <input type="checkbox"/> There are broken LED light strips or loose connections. 	<ul style="list-style-type: none"> <input type="checkbox"/> Remove back panel and make certain there are no loose connections or broken LED lights. Contact the customer service department if broken light strips are found.
Logs/ember bed glows but flame effect does work.	<ul style="list-style-type: none"> <input type="checkbox"/> The spinner rod is not correctly attached to the spinner motor and rotating properly. <input type="checkbox"/> The spinner motor is not on and functioning correctly. 	<ul style="list-style-type: none"> <input type="checkbox"/> Remove back panel and make certain the spinner rod is correctly attached to the spinner motor and is rotating properly. Contact customer service if issues are found. <input type="checkbox"/> Remove the back panel and verify the spinner motor is on and functioning. Contact customer service if issues are found.
Logs/ember bed glows and flame effect works, but heater does not blow warm air.	<ul style="list-style-type: none"> <input type="checkbox"/> The heat button has not been pressed on either the remote control or the control panel. 	<ul style="list-style-type: none"> <input type="checkbox"/> Verify the heat button has been pressed either on the remote control or the control panel. If the heat button has been pressed and the heater still does not blow warm air, turn the unit off and unplug the fireplace from the power outlet for a few minutes. After a few minutes, plug the unit back into the power outlet and operate as normal.

Service Parts



PART	DESCRIPTION	QUANTITY
A	Top	1
B	Base	1
C	Shelf	1
D	Side Back Panel	2
E	Middle Back Panel	1
F	Side Panel	2
G	Base Bar	2
H	Left Partition	1

PART	DESCRIPTION	QUANTITY
I	Right Partition	1
J	Base Trim	1
K	Small Shelf	2
L	Left Door	1
M	Right Door	1
N	Electric Fireplace Insert	1
O	Remote Control	1

HOME DECORATORS COLLECTION

Questions, problems, missing parts? Before returning to the store,
call Home Decorators Collection Customer Service
8 a.m. - 7 p.m., EST, Monday-Friday, 9 a.m. - 6 p.m., EST, Saturday

1-800-986-3460

[HOMEDEPOT.COM/HOMEDECORATORS](https://www.homedepot.com/homedecorators)

Retain this manual for future use.