

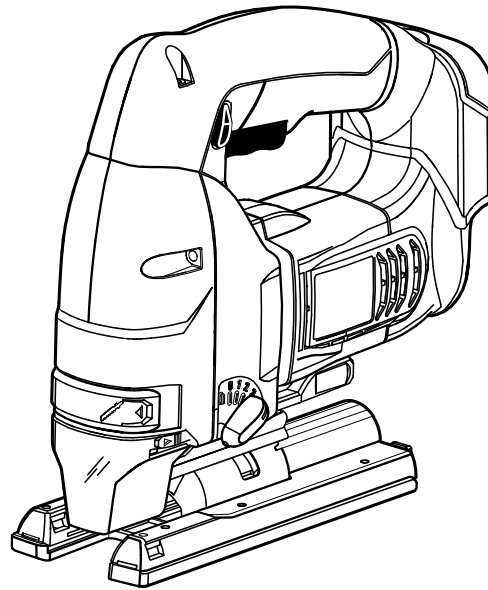


OPERATOR'S MANUAL 18V JIGSAW

MANUEL D'UTILISATION 18V SCIE SAUTEUSE

MANUAL DEL OPERADOR 18V SIERRA DE VAIVÉN

R8831



To register your RIDGID product,
please visit:
<http://register.RIDGID.com>

Pour enregistrer votre produit de
RIDGID, s'il vous plaît la visite :
<http://register.RIDGID.com>

Para registrar su producto de
RIDGID, por favor visita:
<http://register.RIDGID.com>

TABLE OF CONTENTS

- General Power Tool Safety Warnings2-3
- Jigsaw Safety Warnings 3
- Symbols..... 4
- Features..... 5
- Assembly 5
- Operation.....5-7
- Maintenance..... 8
- Figure Numbers (Illustrations)..... 9
- Parts Ordering/Service
.....Back page

TABLE DES MATIÈRES

- Règles de sécurité générales relatives
aux outils électriques2-3
- Avertissements de sécurité relatifs scie
sauteuse..... 3
- Symboles..... 4
- Caractéristiques 5
- Assemblage 5
- Utilisation.....5-7
- Entretien 8
- Figure numéros (illustrations) 9
- Commande de pièces/dépannage
.....Page arrière

ÍNDICE DE CONTENIDO

- Advertencias de seguridad generales
para la herramienta eléctrica2-3
- Advertencias de seguridad sierra de
vaivén 3
- Símbolos 4
- Características 5
- Armado 5
- Funcionamiento.....5-7
- Mantenimiento..... 8
- Figura numeras (ilustraciones) 9
- Pedidos de repuestos/servicio.....
..... Pág. posterior

⚠ WARNING:

To reduce the risk of injury, the user must read and understand the operator's manual before using this product.

⚠ AVERTISSEMENT :

Pour réduire les risques de blessures, l'utilisateur doit lire et veiller à bien comprendre le manuel d'utilisation avant d'utiliser ce produit.

⚠ ADVERTENCIA:

Para reducir el riesgo de lesiones, el usuario debe leer y comprender el manual del operador antes de usar este producto.

**SAVE THIS MANUAL
FOR FUTURE REFERENCE**

**CONSERVER CE MANUEL
POUR FUTURE RÉFÉRENCE**

**GUARDE ESTE MANUAL
PARA FUTURAS CONSULTAS**

GENERAL POWER TOOL SAFETY WARNINGS

WARNING

Read all safety warnings and all instructions. Failure to follow the warnings and instructions may result in electric shock, fire and/or serious injury.

Save all warnings and instructions for future reference. The term “power tool” in the warnings refers to your mains-operated (corded) power tool or battery-operated (cordless) power tool.

WORK AREA SAFETY

- **Keep work area clean and well lit.** Cluttered or dark areas invite accidents.
- **Do not operate power tools in explosive atmospheres, such as in the presence of flammable liquids, gases or dust.** Power tools create sparks which may ignite the dust or fumes.
- **Keep children and bystanders away while operating a power tool.** Distractions can cause you to lose control.

ELECTRICAL SAFETY

- **Power tool plugs must match the outlet. Never modify the plug in any way. Do not use any adapter plugs with earthed (grounded) power tools.** Unmodified plugs and matching outlets will reduce risk of electric shock.
- **Avoid body contact with earthed or grounded surfaces such as pipes, radiators, ranges and refrigerators.** There is an increased risk of electric shock if your body is earthed or grounded.
- **Do not expose power tools to rain or wet conditions.** Water entering a power tool will increase the risk of electric shock.
- **Do not abuse the cord. Never use the cord for carrying, pulling or unplugging the power tool. Keep cord away from heat, oil, sharp edges or moving parts.** Damaged or entangled cords increase the risk of electric shock.
- **When operating a power tool outdoors, use an extension cord suitable for outdoor use.** Use of a cord suitable for outdoor use reduces the risk of electric shock.
- **If operating a power tool in a damp location is unavoidable, use a ground fault circuit interrupter (GFCI) protected supply.** Use of a GFCI reduces the risk of electric shock.
- **For use with 18 V nickel-cadmium and 18 V lithium-ion battery packs, see tool/appliance/battery pack/charger correlation supplement 988000-302.**

PERSONAL SAFETY

- **Stay alert, watch what you are doing and use common sense when operating a power tool. Do not use a power tool while you are tired or under the influence of drugs, alcohol or medication.** A moment of inattention while operating power tools may result in serious personal injury.

- **Use personal protective equipment. Always wear eye protection.** Protective equipment such as dust mask, non-skid safety shoes, hard hat, or hearing protection used for appropriate conditions will reduce personal injuries.
- **Prevent unintentional starting. Ensure the switch is in the off-position before connecting to power source and/or battery pack, picking up or carrying the tool.** Carrying power tools with your finger on the switch or energising power tools that have the switch on invites accidents.
- **Remove any adjusting key or wrench before turning the power tool on.** A wrench or a key left attached to a rotating part of the power tool may result in personal injury.
- **Do not overreach. Keep proper footing and balance at all times.** This enables better control of the power tool in unexpected situations.
- **Dress properly. Do not wear loose clothing or jewellery. Keep your hair, clothing and gloves away from moving parts.** Loose clothes, jewellery or long hair can be caught in moving parts.
- **If devices are provided for the connection of dust extraction and collection facilities, ensure these are connected and properly used.** Use of dust collection can reduce dust-related hazards.
- **Do not wear loose clothing or jewelry. Contain long hair.** Loose clothes, jewelry, or long hair can be drawn into air vents.
- **Do not use on a ladder or unstable support.** Stable footing on a solid surface enables better control of the power tool in unexpected situations.

POWER TOOL USE AND CARE

- **Do not force the power tool. Use the correct power tool for your application.** The correct power tool will do the job better and safer at the rate for which it was designed.
- **Do not use the power tool if the switch does not turn it on and off.** Any power tool that cannot be controlled with the switch is dangerous and must be repaired.
- **Disconnect the plug from the power source and/or the battery pack from the power tool before making any adjustments, changing accessories, or storing power tools.** Such preventive safety measures reduce the risk of starting the power tool accidentally.
- **Store idle power tools out of the reach of children and do not allow persons unfamiliar with the power tool or these instructions to operate the power tool.** Power tools are dangerous in the hands of untrained users.
- **Maintain power tools. Check for misalignment or binding of moving parts, breakage of parts and any other condition that may affect the power tool's operation. If damaged, have the power tool repaired before use.** Many accidents are caused by poorly maintained power tools.
- **Keep cutting tools sharp and clean.** Properly maintained cutting tools with sharp cutting edges are less likely to bind and are easier to control.

GENERAL POWER TOOL SAFETY WARNINGS

- **Use the power tool, accessories and tool bits etc. in accordance with these instructions, taking into account the working conditions and the work to be performed.** Use of the power tool for operations different from those intended could result in a hazardous situation.

BATTERY TOOL USE AND CARE

- **Recharge only with the charger specified by the manufacturer.** A charger that is suitable for one type of battery pack may create a risk of fire when used with another battery pack.
- **Use power tools only with specifically designated battery packs.** Use of any other battery packs may create a risk of injury and fire.
- **When battery pack is not in use, keep it away from other metal objects, like paper clips, coins, keys, nails, screws or other small metal objects, that can make a connection from one terminal to another.** Shorting the battery terminals together may cause burns or a fire.

JIGSAW SAFETY WARNINGS

- **Hold power tool by insulated gripping surfaces, when performing an operation where the cutting accessory may contact hidden wiring.** Cutting accessory contacting a “live” wire may make exposed metal parts of the power tool “live” and could give the operator an electric shock.
- **Use clamps or another practical way to secure and support the workpiece to a stable platform.** Holding the work by hand or against your body leaves it unstable and may lead to loss of control.
- **Know your power tool. Read operator’s manual carefully. Learn its applications and limitations, as well as the specific potential hazards related to this power tool.** Following this rule will reduce the risk of electric shock, fire, or serious injury.
- **Always wear eye protection with side shields marked to comply with ANSI Z87.1 when assembling parts, operating the tool, or performing maintenance.** Following this rule will reduce the risk of serious personal injury.
- **Protect your lungs. Wear a face or dust mask if the operation is dusty.** Following this rule will reduce the risk of serious personal injury.
- **Protect your hearing. Wear hearing protection during extended periods of operation.** Following this rule will reduce the risk of serious personal injury.
- **Battery tools do not have to be plugged into an electrical outlet; therefore, they are always in operating condition. Be aware of possible hazards when not using your battery tool or when changing accessories.** Following this rule will reduce the risk of electric shock, fire, or serious personal injury.

- **Under abusive conditions, liquid may be ejected from the battery; avoid contact. If contact accidentally occurs, flush with water. If liquid contacts eyes, additionally seek medical help.** Liquid ejected from the battery may cause irritation or burns.




SERVICE

- **Have your power tool serviced by a qualified repair person using only identical replacement parts.** This will ensure that the safety of the power tool is maintained.
- **When servicing a power tool, use only identical replacement parts. Follow instructions in the Maintenance section of this manual.** Use of unauthorized parts or failure to follow Maintenance instructions may create a risk of shock or injury.







- **Do not place battery tools or their batteries near fire or heat.** This will reduce the risk of explosion and possibly injury.
- **Do not crush, drop or damage battery pack. Do not use a battery pack or charger that has been dropped or received a sharp blow.** A damaged battery is subject to explosion. Properly dispose of a dropped or damaged battery immediately.
- **Batteries can explode in the presence of a source of ignition, such as a pilot light.** To reduce the risk of serious personal injury, never use any cordless product in the presence of open flame. An exploded battery can propel debris and chemicals. If exposed, flush with water immediately.
- **Do not charge battery tool in a damp or wet location.** Following this rule will reduce the risk of electric shock.
- **For best results, your battery tool should be charged in a location where the temperature is more than 50°F but less than 100°F.** To reduce the risk of serious personal injury, do not store outside or in vehicles.
- **Under extreme usage or temperature conditions, battery leakage may occur. If liquid comes in contact with your skin, wash immediately with soap and water. If liquid gets into your eyes, flush them with clean water for at least 10 minutes, then seek immediate medical attention.** Following this rule will reduce the risk of serious personal injury.
- **Save these instructions.** Refer to them frequently and use them to instruct others who may use this tool. If you loan someone this tool, loan them these instructions also.

SYMBOLS

The following signal words and meanings are intended to explain the levels of risk associated with this product.

SYMBOL	SIGNAL	MEANING
	DANGER:	Indicates an imminently hazardous situation, which, if not avoided, will result in death or serious injury.
	WARNING:	Indicates a potentially hazardous situation, which, if not avoided, could result in death or serious injury.
	CAUTION:	Indicates a potentially hazardous situation, which, if not avoided, may result in minor or moderate injury.
	NOTICE:	(Without Safety Alert Symbol) Indicates important information not related to an injury hazard, such as a situation that may result in property damage.

Some of the following symbols may be used on this product. Please study them and learn their meaning. Proper interpretation of these symbols will allow you to operate the product better and safer.

SYMBOL	NAME	DESIGNATION/EXPLANATION
	Safety Alert	Indicates a potential personal injury hazard.
	Read Operator's Manual	To reduce the risk of injury, user must read and understand operator's manual before using this product.
	Eye Protection	Always wear eye protection with side shields marked to comply with ANSI Z87.1.
	Wet Conditions Alert	Do not expose to rain or use in damp locations.
	No Hands Symbol	Failure to keep your hands away from the blade will result in serious personal injury.
	Recycle Symbols	This product uses nickel-cadmium (Ni-Cd) and lithium-ion (Li-ion) batteries. Local, state or federal laws may prohibit disposal of batteries in ordinary trash. Consult your local waste authority for information regarding available recycling and/or disposal options.
V	Volts	Voltage
min	Minutes	Time
==	Direct Current	Type or a characteristic of current
n ₀	No Load Speed	Rotational speed, at no load
.../min	Per Minute	Revolutions, strokes, surface speed, orbits etc., per minute

FEATURES

PRODUCT SPECIFICATIONS

Strokes per minute..... 0-2,050 SPM Stroke Length..... 1 in.

ASSEMBLY

WARNING:

Do not use this product if it is not completely assembled or if any parts appear to be missing or damaged. Use of a product that is not properly and completely assembled or with damaged or missing parts could result in serious personal injury.

WARNING:

Do not attempt to modify this product or create attachments or accessories not recommended for use with this product. Any such alteration or modification is misuse and could result in a hazardous condition leading to possible serious personal injury.

If any parts are damaged or missing, please call 1-866-539-1710 for assistance.

OPERATION

WARNING:

Do not allow familiarity with products to make you careless. Remember that a careless fraction of a second is sufficient to inflict severe injury.

WARNING:

Always wear eye protection with side shields marked to comply with ANSI Z87.1. Failure to do so could result in objects being thrown into your eyes, resulting in possible serious injury.

WARNING:

Do not use any attachments or accessories not recommended by the manufacturer of this tool. The use of attachments or accessories not recommended can result in serious personal injury.

APPLICATIONS

You may use this tool for the purposes listed below:

- Cutting all types of wood and wood products, thin sheet metal, plastics, and laminates
-

WARNING:

Battery tools are always in operating condition. Therefore, the switch should always be locked when not in use or carrying at your side.

STARTING/STOPPING THE SAW

See Figure 2, page 9.

The trigger lock prevents the saw from accidental starting. The switch trigger cannot be depressed until the trigger lock is depressed.

To turn the saw **ON**, depress the trigger lock button and pull the switch trigger. Release the switch trigger to turn the saw **OFF**.

NOTE: The trigger lock button can be depressed from either side. The trigger lock automatically resets when the switch trigger is released.

INSTALLING/REMOVING BATTERY PACK

See Figure 3, page 9.

To install:

- Insert the battery pack.
- Make sure the latches on each side of the battery pack snap in place and that battery pack is secured in the product before beginning operation.

To remove:

- Depress the latches on each side of the battery pack.

OPERATION

SPLINTER-FREE CUTTING

See Figure 4, page 9.

The anti-splintering insert is especially useful when cutting plywood. It should only be used when making straight cuts or circle cuts. It is not for bevel cutting or plunge cutting.

NOTE: The non-orbital setting also helps reduce splintering when cutting plywood.

To attach and remove the anti-splintering insert:

- Remove the battery pack.
- Set the cutting angle at 0°.
- To attach, slide the insert back onto the tabs on the front of the shoe. Make sure it snaps securely into place.
- To remove, grasp the anti-splintering insert and pull straight out.
- Reinstall the battery pack.

CHIP SHIELD

See Figure 5, page 10.

A clear plastic chip shield on the front of the saw helps protect against flying dust and chips.

To remove and reattach the chip shield:

- Remove the battery pack.
- To remove, grasp and push in the sides of the chip shield as shown. Pull out.
- To reattach, grasp and push in the sides of the chip shield as shown. Slide it into the slots on each side of the front of the saw.
- Reinstall the battery pack.

INSTALLING/REMOVING BLADES

See Figure 6, page 10.

The tool-free blade clamp does not require the use of a blade wrench when installing or removing the blade.

NOTE: The jig saw is designed to use T-shank blades only.

To install blades:

- Remove the battery pack.
- Remove the chip shield and the anti-splintering insert if needed.
- Pull the blade clamp out until it stops.
- Holding the blade clamp out, insert the saw blade as far as possible into the slot in the saw bar. Some resistance may be felt in doing this.
- Check to make sure the back of the saw blade is centered in the groove of the blade-support roller.
- Release the blade clamp. Make sure the blade is securely in place.
- Replace the chip shield and anti-splintering insert if needed.
- Reinstall the battery pack.

To remove blades:

- Remove the battery pack.
- Remove the chip shield and the anti-splintering insert if needed.
- Pull the blade clamp out until it stops.
- Holding the blade clamp out, remove the saw blade.
- Reinstall the battery pack.

GENERAL CUTTING

See Figure 7, page 10.

The no-mar plate has a smooth finish and can be snapped on over the metal shoe of the jig saw. This makes it easier to glide the tool along a delicate work surface without marring it.

The recessed blade-support roller ensures accurate cutting. Its hard-wearing die-cast aluminum casing helps protect against overheating.

The wire blade guard helps protect the operator from accidental contact with the saw blade.

Rest the front of the saw base on the workpiece and align cutting edge of the blade with the line on your workpiece. Start the saw and move it forward on the work surface. Apply downward pressure to keep the saw steady and only enough forward pressure to keep the blade cutting. Do not force the saw. Forcing the saw may overheat the motor and break saw blades. Broken saw blades must be replaced with new saw blades.

ORBITAL MOTION

See Figure 7, page 10.

The blade of the saw cuts in orbital motion. This may be adjusted for faster, more efficient cutting. With orbital motion, the blade cuts through your work in the upstroke but does not drag across your work in the downstroke.

The orbital adjustment knob allows you to select five orbital settings to cut materials of varying thickness and density. The higher settings should be used when fast cutting in soft material is desired. The lower settings should be used for slower cutting in materials with more resistance.

STRAIGHT CUTTING

See Figure 8, page 10.

A straight cut can be made by clamping a piece of wood or straightedge to the workpiece and guiding the edge of the saw against it. Make the cut from one direction only; don't cut halfway and complete the cut from the opposite end.

NOTE: Do not use the anti-splintering insert when making bevel cuts, scroll cuts, plunge cuts, and when cutting metal.

OPERATION

SCROLL CUTTING

See Figure 9, page 10.

Scroll cuts can be made with the jig saw by guiding the direction of the cut with applied pressure on the handle as shown.

WARNING:

Excessive side pressure to the blade could result in broken blades or damage to the material being cut.

ANGLE CUTTING (BEVEL CUTTING)

See Figures 10 - 11, page 10.

With the tool-free shoe adjustment, you can make quick changes to the bevel setting. The shoe can be angled 45° left or right for bevel cutting, with positive stops in 15° increments. A protractor is recommended when accurate cuts are required.

- Remove the battery pack from the tool.
- Push the shoe adjustment lever forward to loosen the shoe.
- Slide the shoe forward and to the left or right. Select the desired degree of bevel by aligning the tab on the motor housing with the appropriate notch on the rear of the shoe.
- Slide the shoe back (toward the rear of the tool) to fit the tab into the notch.
- Push the shoe adjustment lever firmly back into place. Make sure that the shoe is properly set before starting the jig saw.
- Reinstall the battery pack.

NOTE: When making a set-up for accurate cuts with a protractor, or for angles other than the preset 15° increments, the positive stop notches on the rear of the shoe are not used.

PLUNGE CUTTING

See Figures 12 - 13, page 10.

WARNING:

To avoid loss of control, broken blades, or damage to the material being cut, always use extreme caution when making plunge cuts. We do not recommend plunge cutting on materials other than wood.

- Mark the line of cut clearly on the workpiece.
- Set the cutting angle at 0° and the orbital adjustment knob to 0.
- Drill a pilot hole through any point on the line of cut.
- Using high speed, start the saw and slowly lower the blade through the pilot hole into the workpiece until the blade cuts through the wood.
- Do not move the base forward until the blade cuts entirely through the workpiece and the base is in complete contact with the workpiece.
- Move the saw forward to complete the opening.
- Use only blades with seven teeth per inch for this type of cut.

NOTE: Maintenance information begins on page 8 after French and Spanish language sections. Figures (illustrations) start on page 9.

These products have a 90-Day Satisfaction Guarantee Policy, as well as a Three-year Limited Warranty.

For Warranty and Policy details, please go to www.RIDGID.com or call (toll free) 1-866-539-1710.

RÈGLES DE SÉCURITÉ GÉNÉRALES RELATIVES AUX OUTILS ÉLECTRIQUES



AVERTISSEMENT

Lire tous les avertissements et toutes les instructions.

Ne pas suivre l'ensemble des avertissements et des instructions peut entraîner une électrocution, un incendie ou des blessures graves.

Conserver les avertissements et les instructions à des fins de référence ultérieure. Le terme « outil motorisé », utilisé dans tous les avertissements ci-dessous désigne tout outil fonctionnant sur secteur (câblé) ou sur piles (sans fil).

SÉCURITÉ DU LIEU DE TRAVAIL

- **Garder le lieu de travail propre et bien éclairé.** Les endroits encombrés ou sombres sont propices aux accidents.
- **Ne pas utiliser d'outils électriques dans des atmosphères explosives, par exemple en présence de liquides, gaz ou poussières inflammables.** Les outils électriques produisent des étincelles risquant d'enflammer les poussières ou vapeurs.
- **Garder les enfants et badauds à l'écart pendant l'utilisation d'un outil électrique.** Les distractions peuvent causer une perte de contrôle.

SÉCURITÉ ÉLECTRIQUE

- **Les fiches des outils électriques doivent correspondre à la prise secteur utilisée. Ne jamais modifier la fiche, de quelque façon que ce soit. Ne jamais utiliser d'adaptateurs de fiche avec des outils mis à la terre.** Les fiches et prises non modifiées réduisent le risque de choc électrique.
- **Éviter tout contact du corps avec des surfaces mises à la terre, telles que tuyaux, radiateurs, cuisinières et réfrigérateurs.** Le risque de choc électrique est accru lorsque le corps est mis à la terre.
- **Ne pas exposer les outils électriques à l'eau ou l'humidité.** La pénétration d'eau dans ces outils accroît le risque de choc électrique.
- **Ne pas maltraiter le cordon d'alimentation. Ne jamais utiliser le cordon d'alimentation pour transporter l'outil et ne jamais débrancher ce dernier en tirant sur le cordon.** Garder le cordon à l'écart de la chaleur, de l'huile, des objets tranchants et des pièces en mouvement. Un cordon endommagé ou emmêlé accroît le risque de choc électrique.
- **Pour les travaux à l'extérieur, utiliser un cordon spécialement conçu à cet effet.** Utiliser un cordon conçu pour l'usage extérieur pour réduire les risques de choc électrique.
- **S'il est nécessaire d'utiliser l'outil électrique dans un endroit humide, employer un dispositif interrupteur de défaut à la terre (GFCI).** L'utilisation d'un GFCI réduit le risque de décharge électrique.
- **Pour utiliser l'appareil avec des piles au nickel-cadmium et au lithium-ion de 18 V, consulter le supplément de raccordement pour chargeur/outils/piles/appareil n° 988000-302.**

SÉCURITÉ PERSONNELLE

- **Rester attentif, prêter attention au travail et faire preuve de bon sens lors de l'utilisation de tout outil électrique. Ne pas utiliser cet outil en état de fatigue ou sous l'influence de l'alcool, de drogues ou de médicaments.** Un moment d'inattention pendant l'utilisation d'un outil électrique peut entraîner des blessures graves.
- **Utiliser l'équipement de sécurité. Toujours porter une protection oculaire.** L'équipement de sécurité, tel qu'un masque filtrant, de chaussures de sécurité, d'un casque ou d'une protection auditive, utilisé dans des conditions appropriées réduira le risque de blessures.

- **Éviter les démarrages accidentels. S'assurer que le commutateur est en position d'arrêt avant de brancher l'outil.** Porter un outil avec le doigt sur son commutateur ou brancher un outil dont le commutateur est en position de marche peut causer un accident.
- **Retirer les clés de réglage avant de mettre l'outil en marche.** Une clé laissée sur une pièce rotative de l'outil peut causer des blessures.
- **Ne pas travailler hors de portée. Toujours se tenir bien campé et en équilibre.** Ceci permettra de mieux contrôler l'outil en cas de situation imprévue.
- **Porter une tenue appropriée. Ne porter ni vêtements amples, ni bijoux. Garder les cheveux, les vêtements et les gants à l'écart des pièces en mouvement.** Les vêtements amples, bijoux et cheveux longs peuvent se prendre dans les pièces en mouvement.
- **Si les outils sont équipés de dispositifs de dépoussiérage, s'assurer qu'ils sont connectés et correctement utilisés.** L'usage de ces dispositifs de dépoussiérage peut réduire les dangers présentés par la poussière.
- **Ne porter ni vêtements amples, ni bijoux. Attacher ou couvrir les cheveux longs.** Les vêtements amples, bijoux et cheveux longs peuvent se prendre dans les ouïes d'aération.
- **Ne pas utiliser l'outil sur une échelle ou un support instable.** Une bonne tenue et un bon équilibre permettent de mieux contrôler l'outil en cas de situation imprévue.

UTILISATION ET ENTRETIEN DES OUTILS MOTORISÉS

- **Ne pas forcer l'outil. Utiliser l'outil approprié pour l'application.** Un outil approprié exécutera le travail mieux et de façon moins dangereuse s'il est utilisé dans les limites prévues.
- **Ne pas utiliser l'outil si le commutateur ne permet pas de le mettre en marche ou de l'arrêter.** Tout outil qui ne peut pas être contrôlé par son commutateur est dangereux et doit être réparé.
- **Débrancher l'outil et/ou retirer le bloc-piles avant d'effectuer des réglages, de changer d'accessoire ou de remiser l'outil.** Ces mesures de sécurité préventives réduisent les risques de démarrage accidentel de l'outil.
- **Ranger les outils motorisés hors de la portée des enfants et ne laisser personne n'étant pas familiarisé avec l'outil ou ces instructions utiliser l'outil.** Dans les mains de personnes n'ayant pas reçu des instructions adéquates, les outils sont dangereux.
- **Entretien des outils motorisés. Vérifier qu'aucune pièce mobile n'est mal alignée ou bloquée, qu'aucune pièce n'est brisée et s'assurer qu'aucun autre problème ne risque d'affecter le bon fonctionnement de l'outil. En cas de dommages faire réparer l'outil avant de l'utiliser de nouveau.** Beaucoup d'accidents sont causés par des outils mal entretenus.
- **Garder les outils bien affûtés et propres.** Des outils correctement entretenus et dont les tranchants sont bien affûtés risquent moins de se bloquer et sont plus faciles à contrôler.
- **Utiliser l'outil, les accessoires et embouts, etc. conformément à ces instructions pour les applications pour lesquelles ils sont conçus, en tenant compte des conditions et du type de travail à exécuter.** L'usage d'un outil motorisé pour des applications pour lesquelles il n'est pas conçu peut être dangereux.

RÈGLES DE SÉCURITÉ GÉNÉRALES RELATIVES AUX OUTILS ÉLECTRIQUES

UTILISATION ET ENTRETIEN DE LA PILE

- **Ne recharger qu'avec l'appareil spécifié par le fabricant.** Un chargeur approprié pour un type de pile peut créer un risque d'incendie s'il est utilisé avec un autre type de pile.
- **Utiliser exclusivement le bloc-pile spécifiquement indiqué pour l'outil.** L'usage de tout autre bloc peut créer un risque de blessures et d'incendie.
- **Lorsque le bloc-piles n'est pas en usage, le garder à l'écart d'articles tels qu'attaches trombones, pièces de monnaie, clous, vis ou autres petits objets métalliques risquant d'établir le contact entre les deux bornes.** La mise en court-circuit des bornes de piles peut causer des étincelles, des brûlures ou un incendie.

- **En cas d'usage abusif, du liquide peut s'échapper des piles; éviter tout contact avec ce liquide. En cas de contact accidentel, rincer immédiatement les parties atteintes avec de l'eau. En cas d'éclaboussure dans les yeux consulter un médecin.** Le liquide s'échappant des piles peut causer des irritations ou des brûlures.

DÉPANNAGE




- **Les réparations doivent être confiées à un technicien qualifié, utilisant exclusivement des pièces identiques à celles d'origine.** Ceci assurera le maintien de la sécurité de l'outil.
- **Utiliser exclusivement des pièces identiques à celles d'origine pour les réparations. Se conformer aux instructions de la section Entretien de ce manuel.** L'usage de pièces non autorisées ou le non-respect des instructions peut présenter des risques de choc électrique ou de blessures.

AVERTISSEMENTS DE SÉCURITÉ RELATIFS SCIE SAUTEUSE








- **Lorsque l'outil est utilisé pour un travail risquant de le mettre en contact avec des fils électriques cachés, le tenir par les surfaces de prise isolées.** Le contact d'un accessoire de coupe avec un fil sous tension « électrifie » les pièces métalliques exposées de l'outil et peut électrocuter l'utilisateur.
- **Utiliser des serre-joints ou un autre système approprié pour maintenir fermement la pièce sur une surface stable.** Le fait de tenir la pièce à travailler avec ses mains ou contre son corps la rend instable et peut occasionner une perte de contrôle.
- **Apprendre à connaître l'outil. Lire attentivement le manuel d'utilisation. Apprendre les applications et les limites de l'outil, ainsi que les risques spécifiques relatifs à son utilisation.** Le respect de cette consigne réduira les risques d'incendie, de choc électrique et de blessures graves.
- **Toujours porter une protection oculaire munie d'écrans latéraux certifiée conforme à la norme ANSI Z87.1 lors du montage des pièces, du fonctionnement de l'outil ou au moment de l'entretien.** Le respect de cette règle réduira les risques de blessures graves.
- **Protection respiratoire. Porter un masque facial ou un masque antipoussière si le travail produit de la poussière.** Le respect de cette consigne réduira les risques de blessures graves.
- **Protection auditive. Porter une protection auditive lors de l'utilisation prolongée.** Le respect de cette règle réduira les risques de blessures graves.
- **Les outils fonctionnant sur piles n'ayant pas besoin d'être branchés sur une prise secteur, ils sont toujours en état de fonctionnement. Tenir compte des dangers possibles lorsque l'outil n'est pas en usage et lors du remplacement des piles.** Le respect de cette consigne réduira les risques d'incendie, de choc électrique et de blessures graves.
- **Ne pas placer les outils électriques sans fil ou leurs piles à proximité de flammes ou d'une source de chaleur.** Ceci réduira les risques d'explosion et de blessures.
- **Ne pas écraser, faire tomber ou endommager le bloc-piles. Ne jamais utiliser un bloc-piles ou un chargeur qui est tombé, a été écrasé, a reçu un choc violent ou a été endommagé de quelque façon que ce soit.** Une pile endommagée risque d'exploser. Éliminer immédiatement toute pile endommagée, selon une méthode appropriée.
- **Les piles peuvent exploser en présence d'une source d'allumage, telle qu'une veilleuse.** Pour réduire les risques de blessures graves, ne jamais utiliser un appareil sans fil, quel qu'il soit, en présence d'une flamme vive. En explosant, une pile peut projeter des débris et des produits chimiques. En cas d'exposition, rincer immédiatement les parties atteintes avec de l'eau.
- **Ne pas recharger un outil fonctionnant sur piles dans un endroit humide ou mouillé.** Le respect de cette règle réduira les risques de choc électrique.
- **Pour un résultat optimal, les piles de l'outil doivent être rechargées dans un local où la température est de 10 à 38 °C (50 à 100°F). Ne pas ranger l'outil à l'extérieur ou dans un véhicule.**
- **Si l'outil est utilisé de façon intensive ou sous des températures extrêmes, des fuites de pile peuvent se produire. En cas de contact du liquide avec la peau, rincer immédiatement la partie atteinte avec de l'eau. En cas d'éclaboussure dans les yeux, les rincer à l'eau fraîche pendant au moins 10 minutes, puis contacter immédiatement un médecin.** Le respect de cette règle réduira les risques de blessures graves.
- **Conserver ces instructions.** Les consulter fréquemment et les utiliser pour instruire les autres utilisateurs éventuels. Si cet outil est prêté, il doit être accompagné de ces instructions.

SYMBOLES

Les termes de mise en garde suivants et leur signification ont pour but d'expliquer le degré de risques associé à l'utilisation de ce produit.

SYMBOLE	SIGNAL	SIGNIFICATION
	DANGER :	Indique une situation extrêmement dangereuse qui, si elle n'est pas évitée, aura pour conséquences des blessures graves ou mortelles.
	AVERTISSEMENT :	Indique une situation potentiellement dangereuse qui, si elle n'est pas évitée, pourrait entraîner des blessures graves ou mortelles.
	ATTENTION :	Indique une situation potentiellement dangereuse qui, si elle n'est pas évitée, pourrait entraîner des blessures légères ou de gravité modérée.
	AVIS :	(Sans symbole d'alerte de sécurité) Indique une information importante ne concernant pas un risque de blessure comme une situation pouvant occasionner des dommages matériels.

Certains des symboles ci-dessous peuvent être utilisés sur produit. Veiller à les étudier et à apprendre leur signification. Une interprétation correcte de ces symboles permettra d'utiliser produit plus efficacement et de réduire les risques.

SYMBOLE	NOM	DÉSIGNATION / EXPLICATION
	Symbole d'alerte de sécurité	Indique un risque de blessure potentiel.
	Lire le manuel d'utilisation	Pour réduire les risques de blessures, l'utilisateur doit lire et veiller à bien comprendre le manuel d'utilisation avant d'utiliser ce produit.
	Protection oculaire	Toujours porter une protection oculaire avec écrans latéraux certifiée conforme à la norme ANSI Z87.1.
	Avertissement concernant l'humidité	Ne pas exposer à la pluie ou l'humidité.
	Symbole Mains à l'écart	Le non-respect de cette mise en garde peut entraîner des blessures graves.
	Symboles de recyclage	Ce produit utilise les piles de nickel-cadmium (Ni-Cd) ou lithium-ion (Li-ion). Les réglementations locales ou gouvernementales peuvent interdire de jeter les piles dans les ordures ménagères. Consulter les autorités locales compétentes pour les options de recyclage et/ou l'élimination.
V	Volts	Tension
min	Minutes	Temps
	Courant continu	Type ou caractéristique du courant
n_0	Vitesse à vide	Vitesse de rotation à vide
.../min	Par minute	Tours, coups, vitesse périphérique, orbites, etc., par minute

CARACTÉRISTIQUES

FICHE TECHNIQUE

Coups par minute.....0-2 050 CPM Course..... 25,4 mm (1 po)

ASSEMBLAGE

AVERTISSEMENT :

Ne pas utiliser le produit s'il n'est pas complètement assemblé ou si des pièces semblent manquantes ou endommagées. L'utilisation d'un produit dont l'assemblage est incorrect ou incomplet ou comportant des pièces endommagées ou absentes représente un risque de blessures graves.

AVERTISSEMENT :

Do not attempt to modify this product or create attachments or accessories not recommended for use with this product. De telles altérations ou modifications sont considérées comme un usage abusif et peuvent créer des conditions dangereuses, risquant d'entraîner des blessures graves.

Si des pièces manquent ou sont endommagées, veuillez appeler au 1-866-539-1710 pour obtenir de l'aide.

UTILISATION

AVERTISSEMENT :

Ne laissez pas la familiarité tirée d'une utilisation fréquente de ce type de produit atténuer votre vigilance. Ne pas oublier qu'une fraction de seconde d'inattention peut entraîner des blessures graves.

AVERTISSEMENT :

Toujours porter une protection oculaire munie d'écrans latéraux certifiée conforme à la norme ANSI Z87.1 Si cette précaution n'est pas prise, des objets peuvent être projetés dans les yeux et causer des lésions graves.

AVERTISSEMENT :

Ne pas utiliser d'outils ou accessoires non recommandés par le fabricant pour cet outil. L'utilisation de pièces et accessoires non recommandés peut entraîner des blessures graves.

APPLICATIONS

Cet outil peut être utilisé pour les applications ci-dessous:

- Le sciage de tous types de produits en bois, coupe de tôle mince, coupe de plastiques et laminés.

AVERTISSEMENT :

Les outils à batteries sont toujours en état de fonctionnement. Il est donc nécessaire de toujours verrouiller la gâchette lorsque l'outil n'est pas en usage et pendant son transport.

DÉMARRAGE/ARRÊT DE LA SCIE

Voir la figure 2, page 9.

Le verrouillage de gâchette empêche les démarrages accidentels. Il sera impossible d'appuyer sur l'interrupteur à gâchette tant que le verrou de gâchette n'est pas relâché.

Pour mettre la scie en **ON (MARCHE)**, appuyer sur le bouton de verrouillage et presser la gâchette. Pour **OFF (ARRÊTER)** la scie, relâcher la gâchette.

NOTE : Pour l'engager, appuyer sur le bouton de verrouillage, d'un côté ou de l'autre de la gâchette. Le bouton se désengage automatiquement lorsque la gâchette est relâchée.

INSTALLATION ET RETRAIT DU BLOC BLOC-PILE

Voir la figure 3, page 9.

Installation :

- Insérer le bloc-pile.
- S'assurer que les loquets de chaque côté de la bloc-pile s'enclenchent en place et que la batterie est bien fixée avant d'utiliser l'outil.

Pour retirer :

- Appuyer sur les loquets de chaque côté de la bloc-pile.

COUPE SANS ÉCLATEMENT

Voir la figure 4, page 9.

Cette scie est dotée d'un insert permettant de couper sans éclater le bois. Ce dispositif est particulièrement utile pour la coupe du contreplaqué. Ne pas l'utiliser pour les coupes en biseau ou plongeantes.

NOTE : L'usage du mode non orbital réduit également les risques d'éclatement lors de la coupe de contreplaqué.

Fixer et retirer le garde anti-éclatement :

- Retirer le bloc-pile.
- Régler l'angle de coupe à 0°.
- Pour le attacher, faire glisser l'insert sur les taquets à l'avant du sabot. S'assurer qu'il s'encliquette en place.
- Pour retirer le garde, saisir le garde anti-éclatement et le retirer.
- Réinstallez la bloc-pile.

UTILISATION

PARE-COPEAUX

Voir la figure 5, page 10.

Un pare-copeaux en plastique transparent est installé à l'avant de la scie afin de protéger l'opérateur de la sciure et des copeaux projetés.

Pour retirer et ré-attacher le pare-copeaux :

- Retirer le bloc de bloc-pile.
- Pour le retrait, saisir le pare-copeaux et enfoncer les côtés comme illustré. Extraire par le haut.
- Pour le ré-attacher, saisir le pare-copeaux et enfoncer les côtés comme illustré. Le faire glisser dans les fentes de chaque côté de l'avant de la scie.
- Réinstallez la bloc-pile.

INSTALLATION/RETRAIT DE LA LAME

Voir la figure 6, page 10.

Le porte-lame est équipé d'un dispositif de verrouillage qui ne nécessite pas l'usage d'une clé pour installer ou retirer la lame.

NOTE : La scie est conçue pour n'utiliser que des lames à tige en T.

Installation des lames :

- Retirer le bloc-pile.
- Au besoin, enlever le pare-copeaux et le dispositif anti-éclatement.
- Pousser le serre-lame vers l'extérieur jusqu'à ce qu'il s'immobilise.
- Tout en maintenant le serre-lame vers l'extérieur, insérer la nouvelle lame le plus profondément possible dans la fente de la barre de la scie. Il est possible qu'une certaine résistance se fasse ressentir lors de l'insertion.
- Vérifier que l'arrière de la lame est correctement positionné dans l'encoche du rouleau de support.
- Relâcher le levier de changement verrouillage de lame. Vérifier que la lame est solidement assujettie.
- Le cas échéant, remettre le pare-copeaux et le dispositif anti-éclatement en place.
- Réinstallez la pile.

Retrait de la lame :

- Retirer le bloc - pile.
- Au besoin, enlever le pare-copeaux et le dispositif anti-éclatement.
- Pousser le serre-lame vers l'extérieur jusqu'à ce qu'il s'immobilise.
- Maintenir le serre-lame vers l'extérieur puis retirer la lame.
- Réinstallez la pile.

SCIAGE GÉNÉRAL

Voir la figure 7, page 10.

La plaque de protection a un fini lisse et s'adapte par pression sur le sabot métallique de la scie sauteuse. Ce dispositif permet de glisser l'outil sur la pièce à travailler sans en endommager la surface délicate.

Le galet de support de lame en retrait assure la précision de la coupe. Le boîtier en aluminium moulé durable offre une bonne protection contre les surchauffes.

Cette garde contribue à éviter un contact accidentel avec la lame.

Placer le devant de la base de la scie contre la pièce à couper et aligner le tranchant de la lame sur la ligne de coupe tracée sur la pièce. Mettre la scie en marche et la pousser vers l'avant. Appuyer sur la scie de manière à assurer sa stabilité et la pousser vers l'avant avec juste assez de force pour que la lame continue de couper. Ne pas forcer la scie. Cela pourrait causer une surchauffe du moteur et la cassure de la lame. Les lames brisées doivent être remplacées.

MOUVEMENT ORBITAL

Voir la figure 7, page 10.

La lame coupe avec un mouvement orbital. L'ampleur de l'orbite est réglable, ce qui permet de couper plus rapidement et plus efficacement. Avec le mouvement orbital, la lame coupe dans sa course vers le haut, mais ne frotte pas contre le matériau lors de sa course vers le bas.

Le bouton de réglage orbital offre cinq réglages d'orbite distincts pour la coupe de matériaux d'épaisseur et de densité variables. Les valeurs les plus élevées doivent être utilisées pour la coupe rapide dans un matériau tendre. Les réglages les plus bas doivent être utilisés pour la coupe de matériaux plus résistants.

COUPE DROITE

Voir la figure 8, page 10.

Une coupe rectiligne peut être obtenue en assujettissant une planche ou une règle sur la pièce à couper pour guider la scie. Ne couper que dans un sens, ne jamais couper jusqu'à la moitié d'une pièce dans un sens et terminer la coupe dans l'autre.

NOTE : Ne pas utiliser l'insert anti-éclatement pour les coupes en biseau, les coupes de profils, les coupes plongées et la coupe de métaux.

COUPE DE FORMES

Voir la figure 9, page 10.

Les découpes de formes sont exécutées en guidant la scie sauteuse par pression sur la poignée, comme illustré.

AVERTISSEMENT :

Une pression latérale excessive sur la lame peut la briser et endommager la pièce en train d'être coupée.

COUPES EN BISEAU (COUPE EN BISEAU)

Voir la figures 10 - 11, page 10.

Grâce au dispositif de réglage levier sans outil du sabot, il est possible de modifier rapidement l'angle de biseau. L'angle du sabot peut être ajusté de 0 à 45°, à droite ou à gauche, pour la coupe en biseau, avec des butées espacées de 15°. Lorsque des angles précis sont nécessaires, il est recommandé d'utiliser un rapporteur.

- Retirer le bloc de batteries de la perceuse.
- Pousser le dispositif de réglage du sabot vers l'avant pour desserrer le sabot.
- Faire glisser le sabot vers l'avant et vers la gauche ou la droite. Sélectionner l'angle de biseau souhaité en alignant la languette du boîtier du moteur avec le cran approprié à l'arrière du sabot.

UTILISATION

- Remettre le sabot dans sa position initiale (en le faisant glisser en arrière) pour bloquer la languette dans la fente.
- Remettre le dispositif de verrouillage sans outil du sabot fermement en place. Vérifier le positionnement du sabot avant de mettre la scie sauteuse en marche.
- Réinstallez la batterie.

NOTE : Lors du réglage pour la coupe précise d'en angle mesuré avec un rapporteur ou d'angles autres que les préréglages de 15, 30 et 45°, les crans d'arrêt de l'arrière de la base ne sont pas utilisés.

COUPE PLONGEANTE

Voir la figures 12 - 13, page 10.

AVERTISSEMENT :

Lors des coupes plongeantes, prendre les précautions les plus extrêmes, afin de ne pas risquer de perdre le contrôle de la scie, briser la lame ou endommager la pièce en train d'être coupée. Nous recommandons de ne pas pratiquer de coupes plongeantes dans des matériaux autres que le bois.

- Marquer clairement la ligne de coupe sur la pièce.
- Régler l'angle de coupe à 0° et le bouton de réglage orbital à 0.
- Percer un trou pilote en n'importe quel point de la ligne de coupe.
- Mettre la scie en marche à haute vitesse et abaisser lentement la lame dans le trou pilote de la pièce à travailler jusqu'à ce qu'elle morde dans le bois.
- Ne pas déplacer la base de la scie avant que la lame n'ait entièrement découpé la pièce et que la base ne soit fermement en contact avec la pièce à travailler.
- Pousser la scie vers l'avant pour achever la découpe.
- Pour ce type de coupe, utiliser exclusivement une lame à 7 dents par pouce.

NOTE : Le information de entretien commençant sur 8 de page après la section Espagnol.
Figures (illustrations) commençant sur 9 de page.

**These products have a 90-Day Satisfaction Guarantee Policy, as well as a
Three-year Limited Warranty.**

**For Warranty and Policy details, please go to www.RIDGID.com
or call (toll free) 1-866-539-1710.**

ADVERTENCIAS DE SEGURIDAD GENERALES PARA LA HERRAMIENTA ELÉCTRICA

ADVERTENCIA

Lea todas las advertencias de seguridad y las instrucciones. El incumplimiento de las advertencias e instrucciones puede ocasionar descarga eléctrica, fuego o lesiones graves.

Guarde todas las advertencias e instrucciones para futuras consultas. El término “herramienta eléctrica” empleado en todos los avisos de advertencia enumerados abajo se refiere a las herramientas eléctricas de cordón (alámbricas) y de baterías (inalámbricas).

SEGURIDAD EN EL ÁREA DE TRABAJO

- **Mantenga limpia y bien iluminada el área de trabajo.** Un área de trabajo mal despejada o mal iluminada propicia accidentes.
- **No utilice herramientas motorizadas en atmósferas explosivas, como las existentes alrededor de líquidos, gases y polvos inflamables.** Las herramientas eléctricas generan chispas que pueden encender el polvo y los vapores inflamables.
- **Mantenga alejados a los niños y circunstantes al maniobrar una herramienta eléctrica.** Toda distracción puede causar pérdida del control de la herramienta.

SEGURIDAD ELÉCTRICA

- **Las clavijas de las herramientas eléctricas deben corresponder a las tomas de corriente donde se conectan. Nunca modifique la clavija de ninguna forma. No utilice ninguna clavija adaptadora con herramientas eléctricas dotadas de contacto a tierra.** Conectando las clavijas originales en las tomas de corriente donde corresponden se disminuye el riesgo de una descarga eléctrica.
- **Evite el contacto del cuerpo con las superficies de objetos que estén haciendo tierra o estén conectados a ésta, como tuberías, radiadores, estufas y refrigeradores.** Existe un mayor riesgo de descargas eléctricas si el cuerpo está haciendo tierra.
- **No exponga las herramientas eléctricas a la lluvia ni a condiciones de humedad.** La introducción de agua en una herramienta eléctrica aumenta el riesgo de descargas eléctricas.
- **No maltrate el cordón eléctrico. Nunca utilice el cordón para trasladar, desconectar o tirar de la herramienta eléctrica. Mantenga el cordón alejado del calor, del aceite, de bordes afilados y de piezas móviles.** Los cordones eléctricos dañados o enredados aumentan el riesgo de descargas eléctricas.
- **Al utilizar una herramienta eléctrica a la intemperie, use un cordón de extensión apropiado para el exterior.** Usando un cordón adecuado para el exterior se disminuye el riesgo de descargas eléctricas.
- **Si debe operar una herramienta en lugares húmedos, use un suministro protegido por un interruptor de circuito con pérdida a tierra (GFCI).** El uso de un GFCI reduce el riesgo de descargas eléctricas.
- **Para utilizar con paquetes de baterías de níquel-cadmio de 18 V o de iones de litio de 18 V, consulte el folleto de la herramienta/aparato/paquete de baterías/cargador complementario 988000-302.**

SEGURIDAD PERSONAL

- **Permanezca alerta, preste atención a lo que esté haciendo y aplique el sentido común al utilizar herramientas eléctricas. No utilice la herramienta eléctrica si está cansado o se encuentra bajo los efectos de alguna droga, alcohol o medicamento.** Un momento de inatención al utilizar una herramienta eléctrica puede causar lesiones corporales serias.
- **Use equipo de seguridad. Siempre póngase protección ocular.** El uso de equipo de seguridad como mascarilla para el polvo,

calzado de seguridad, casco y protección para los oídos en las circunstancias donde corresponda disminuye el riesgo de lesiones.

- **Evite un arranque accidental de la unidad. Asegúrese de que el interruptor esté en la posición de apagado antes de conectar la herramienta.** Portar las herramientas eléctricas con el dedo en el interruptor, o conectarlas con el interruptor puesto, propicia accidentes.
- **Retire toda llave o herramienta de ajuste antes de encender la herramienta eléctrica.** Toda llave o herramienta de ajuste dejada en una pieza giratoria de la herramienta eléctrica puede causar lesiones.
- **No estire el cuerpo para alcanzar mayor distancia. Mantenga una postura firme y buen equilibrio en todo momento.** De esta manera se logra un mejor control de la herramienta eléctrica en situaciones inesperadas.
- **Vístase adecuadamente. No vista ropas holgadas ni joyas. Mantenga el cabello, la ropa y los guantes alejados de las piezas móviles.** Las ropas holgadas, las joyas y el cabello largo pueden engancharse en las piezas móviles.
- **Si se suministran dispositivos para conectar mangueras de extracción y captación de polvo, asegúrese de que éstas estén bien conectadas y se usen correctamente.** La utilización de captador de polvo puede disminuir los peligros relacionados con el polvo.
- **No vista ropas holgadas ni joyas. Recójase el cabello si está largo.** Las ropas holgadas y las joyas, así como el cabello largo, pueden resultar atraídas hacia el interior de las aberturas de ventilación.
- **No utilice la unidad al estar en una escalera o en un soporte inestable.** Una postura estable sobre una superficie sólida permite un mejor control de la herramienta eléctrica en situaciones inesperadas.

EMPLEO Y CUIDADO DE LA HERRAMIENTA ELÉCTRICA

- **No fuerce la herramienta eléctrica. Utilice la herramienta eléctrica adecuada para cada trabajo.** La herramienta eléctrica adecuada efectúa mejor y de manera más segura el trabajo, si además se maneja a la velocidad para la que está diseñada.
- **No utilice la herramienta si el interruptor no enciende o no apaga.** Cualquier herramienta eléctrica que no pueda controlarse con el interruptor es peligrosa y debe repararse.
- **Desconecte la clavija del suministro de corriente o retire el paquete de baterías de la herramienta eléctrica, según sea el caso, antes de efectuarle cualquier ajuste, cambiarle accesorios o guardarla.** Tales medidas preventivas de seguridad reducen el riesgo de poner en marcha accidentalmente la herramienta.
- **Guarde las herramientas eléctricas desocupadas fuera del alcance de los niños y no permita que las utilicen personas no familiarizadas con las mismas o con estas instrucciones.** Las herramientas eléctricas son peligrosas en manos de personas no capacitadas en el uso de las mismas.
- **Preste servicio a las herramientas eléctricas. Revise para ver si hay desalineación o atoramiento de piezas móviles, ruptura de piezas o cualquier otra condición que pueda afectar el funcionamiento de la herramienta. Si está dañada la herramienta eléctrica, permita que la reparen antes de usarla.** Numerosos accidentes son causados por herramientas eléctricas mal cuidadas.
- **Mantenga las herramientas de corte afiladas y limpias.** Las herramientas de corte bien cuidadas y con bordes bien afilados, tienen menos probabilidad de atascarse en la pieza de trabajo y son más fáciles de controlar.

ADVERTENCIAS DE SEGURIDAD GENERALES PARA LA HERRAMIENTA ELÉCTRICA

- **Utilice la herramienta eléctrica, los accesorios y brocas, hojas y cuchillas de corte, ruedas de esmeril, etc. de conformidad con estas instrucciones, tomando en cuenta las condiciones de trabajo y la tarea por realizar.** Si se utiliza la herramienta eléctrica para operaciones diferentes de las indicadas podría originar una situación peligrosa.

EMPLEO Y CUIDADO DE LA HERRAMIENTA DE BATERÍAS

- **Sólo cargue el paquete de baterías con el cargador especificado por el fabricante.** Un cargador adecuado para un tipo paquete de baterías puede significar un riesgo de incendio si se emplea con un paquete de baterías diferente.
- **Utilice las herramientas eléctricas sólo con los paquetes de baterías específicamente indicados.** El empleo de paquetes de baterías diferentes puede presentar un riesgo de incendio.
- **Cuando no esté utilizándose el paquete de baterías, manténgalo lejos de otros objetos metálicos, como clips, monedas, llaves, clavos, tornillos o otros objetos metálicos, pequeños que puedan establecer conexión entre ambas terminales.** Establecer una conexión directa entre las dos terminales de las baterías puede causar quemaduras o incendios.

- **Si se maltratan las baterías, puede derramarse líquido de las mismas; evite todo contacto con éste. En caso de contacto, lávese con agua. Si el líquido llega a tocar los ojos, además busque atención médica.** El líquido de las baterías puede causar irritación y quemaduras.

SERVICIO

- **Permita que un técnico de reparación calificado preste servicio a la herramienta eléctrica, y sólo con piezas de repuesto idénticas.** De esta manera se mantiene la seguridad de la herramienta eléctrica.
- **Al dar servicio a una herramienta eléctrica, sólo utilice piezas de repuesto idénticas. Siga las instrucciones señaladas en la sección Mantenimiento de este manual.** El empleo de piezas no autorizadas o el incumplimiento de las instrucciones de mantenimiento puede significar un riesgo de descarga eléctrica o de lesiones.




ADVERTENCIAS DE SEGURIDAD SIERRA DE VAIVÉN

- **Sujete las herramientas eléctricas por las superficies aisladas de sujeción al efectuar una operación en la cual la herramienta de corte pueda entrar en contacto con cables ocultos o con su propio cordón eléctrico.** Todo contacto de una herramienta con un cable cargado carga las piezas metálicas expuestas de la herramienta y da una descarga eléctrica al operador.
- **Use abrazaderas u otra manera práctica de asegurar y sustentar la pieza en la que se va a trabajar en una plataforma estable.** Sostener la pieza de trabajo con la mano o contra el cuerpo la deja inestable y puede causar la pérdida de control de la misma.
- **Familiarícese con su herramienta eléctrica. Lea cuidadosamente el manual del operador. Aprenda sus usos y limitaciones, así como los posibles peligros específicos de esta herramienta eléctrica.** Con el cumplimiento de esta regla se reduce el riesgo de una descarga eléctrica, incendio o lesión seria.
- **Siempre use protección ocular con laterales protectores con la marca de cumplimiento con la norma ANSI Z87.1 al ensamblar piezas, utilizar la herramienta o llevar a cabo tareas de mantenimiento.** Con el cumplimiento de esta regla se reduce el riesgo de lesiones corporales serias.
- **Protéjase los pulmones. Use una careta o mascarilla contra el polvo si la operación genera mucho polvo.** Con el cumplimiento de esta regla se reduce el riesgo de lesiones serias.
- **Protéjase los oídos. Durante períodos prolongados de utilización del producto, póngase protección para los oídos.** Con el cumplimiento de esta regla se reduce el riesgo de lesiones corporales serias.
- **No se necesita conectar a una toma de corriente las herramientas de baterías; por lo tanto, siempre están en condiciones de funcionamiento. Esté consciente de los posibles peligros cuando no esté usando la herramienta de baterías o cuando esté cambiando los accesorios de la misma.** Con el cumplimiento de esta regla se reduce el riesgo de una descarga eléctrica, incendio o lesión corporal seria.







- **No coloque herramientas de baterías ni las baterías mismas cerca del fuego o del calor.** De esta manera se reduce el riesgo de explosiones y de lesiones.
- **No aplaste, deje caer o dañe de baterías. Nunca utilice una batería o cargador que se ha caído, aplastado, recibido un golpe contundente o ha sido dañado(a) de alguna manera.** Las baterías dañadas pueden sufrir explosiones. Deseche de inmediato toda batería que haya sufrido una caída o cualquier daño.
- **Las baterías pueden explotar en presencia de fuentes de inflamación, como los pilotos de gas.** Para reducir el riesgo de lesiones serias, nunca use un producto inalámbrico en presencia de llamas expuestas. La explosión de una batería puede lanzar fragmentos y compuestos químicos. Si ha quedado expuesto a la explosión de una batería, lávese de inmediato con agua.
- **No cargue herramientas de baterías en lugares mojados o húmedos.** Con el cumplimiento de esta regla se reduce el riesgo de una descarga eléctrica.
- **Para obtener resultados óptimos, debe cargar la herramienta de baterías en un lugar donde la temperatura esté entre 10 y 38 °C (entre 50 y 100 °F).** No guarde la herramienta a la intemperie ni en el interior de vehículos.
- **En condiciones extremas de uso o temperatura las baterías pueden emanar líquido. Si el líquido llega a tocarle la piel, lávese de inmediato con agua y jabón. Si le entra líquido en los ojos, láveselos con agua limpia por lo menos 10 minutos, y después busque de inmediato atención médica.** Con el cumplimiento de esta regla se reduce el riesgo de lesiones corporales serias.
- **Guarde estas instrucciones.** Consúltelas con frecuencia y empléelas para instruir a otras personas que puedan utilizar esta herramienta. Si presta a alguien esta herramienta, facilítele también las instrucciones.

SÍMBOLOS

Las siguientes palabras de señalización y sus significados tienen el objeto de explicar los niveles de riesgo relacionados con este producto.

SÍMBOLO	SEÑAL	SIGNIFICADO
	PELIGRO:	Indica una situación peligrosa inminente, la cual, si no se evita, causará la muerte o lesiones serias.
	ADVERTENCIA:	Indica una situación peligrosa posible, la cual, si no se evita, podría causar la muerte o lesiones serias.
	PRECAUCIÓN:	Indica una situación potencialmente peligrosa la cual, si no se evita, puede causar lesiones leves o moderadas.
	AVISO:	(Sin el símbolo de alerta de seguridad) Indica información importante no relacionada con ningún peligro de lesiones, como una situación que puede ocasionar daños físicos.

Es posible que se empleen en este producto algunos de los siguientes símbolos. Le suplicamos estudiarlos y aprender su significado. Una correcta interpretación de estos símbolos le permitirá utilizar mejor y de manera más segura el producto.

SÍMBOLO	NOMBRE	DENOMINACIÓN/EXPLICACIÓN
	Alerta de seguridad	Indica un peligro posible de lesiones personales.
	Lea el manual del operador	Para reducir el riesgo de lesiones, el usuario debe leer y comprender el manual del operador antes de usar este producto.
	Protección ocular	Siempre póngase protección ocular con protección lateral con la marca de cumplimiento de la norma ANSI Z87.1.
	Alerta de condiciones húmedas	No exponga la unidad a la lluvia ni la use en lugares húmedos.
	Símbolo de no acercar las manos	Si no mantiene las manos alejadas de la hoja de corte, se causará serias lesiones corporales.
	Símbolos de reciclado	Este producto contiene baterías de níquel-cadmio (Ni-Cd) y iones de litio (Li-ion). Es posible que algunas leyes municipales, estatales o federales prohíban desechar las baterías de níquel-cadmio en la basura normal. Consulte a las autoridades reguladoras de desechos para obtener información en relación con las alternativas de reciclado y desecho disponibles.
V	Volts	Voltaje
min	Minutos	Tiempo
—	Corriente continua	Tipo o característica de corriente
n_0	Velocidad en vacío	Velocidad de rotación, en vacío
.../min	Por minuto	Revoluciones, carreras, velocidad superficial, órbitas, etc., por minuto

CARACTERÍSTICAS

ESPECIFICACIONES DEL PRODUCTO

Carreras por minuto 0 - 2050 CPM

Longitud de la carrera..... 25,4 mm (1 pulg.)

ARMADO

ADVERTENCIA:

No use este producto si no está totalmente ensamblado o si alguna pieza falta o está dañada. El uso de un producto que no está adecuadamente y completamente ensamblado o posee partes dañadas o faltantes puede resultar en lesiones personales graves.

ADVERTENCIA:

No intente modificar este producto ni hacer accesorios no recomendados para la misma. Cualquier alteración o modificación constituye maltrato y puede causar una condición peligrosa, y como consecuencia posibles lesiones corporales graves.

Si hay piezas dañadas o faltantes, le suplicamos llamar al 1-866-539-1710, donde le brindaremos asistencia.

FUNCIONAMIENTO

ADVERTENCIA:

No permita que su familiarización con la herramienta lo vuelva descuidado. Tenga presente que un descuido de un instante es suficiente para causar una lesión seria.

ADVERTENCIA:

Siempre utilice protección para los ojos con escudos laterales que cumplan con ANSI Z87.1. La inobservancia de esta advertencia puede causar el lanzamiento de objetos a los ojos, y por consecuencia posibles lesiones serias.

ADVERTENCIA:

No utilice ningún aditamento o accesorio no recomendado por el fabricante de esta herramienta. El empleo de aditamentos o accesorios no recomendados puede causar lesiones serias.

APLICACIONES

Esta herramienta puede emplearse para los fines enumerados abajo:

- Para cortar todo tipo de productos de madera, corte de chapa metálica delgada, corte de plásticos y laminados

ADVERTENCIA:

Las herramientas de pilas siempre están en condiciones de funcionamiento. Por lo tanto, siempre debe estar asegurado el interruptor cuando no esté usándose la unidad o el operador la lleve por un lado.

ENCENDIDO Y APAGADO DE LA SIERRA

Vea la figura 2, página 9.

El seguro del gatillo sirve para evitar un arranque accidental de la sierra. El gatillo del interruptor no se puede oprimir mientras el seguro del gatillo no esté presionado.

Para **ON (ENCENDER)** la sierra, oprima el botón del seguro de apagado y tire del gatillo del interruptor. Para **OFF (APAGAR)** la sierra, suelte el gatillo del interruptor.

NOTA: Para oprimir el gatillo del interruptor, oprima el seguro del gatillo desde cualquier lado del mango. El seguro del gatillo se restablece automáticamente al soltarse el gatillo del interruptor.

INSTALACIÓN/EXTRACCIÓN DEL PAQUETE DE BATERÍAS

Vea la figura 3, página 9.

Para la instalación:

- Extraiga la batería.
- Asegúrese de que los pestillos situados a ambos lados del paquete de baterías entren completamente en su lugar con un chasquido y de que el paquete quede bien asegurado en la herramienta antes de comenzar a utilizarla.

Para el desmontaje:

- Oprima los pestillos laterales del paquete de pilas.

CORTES SIN ASTILLAS

Vea la figura 4, página 9.

Esta sierra dispone de inserto contra astillamiento para permitir cortes sin astillas. Es útil especialmente al cortar madera contrachapada. No es para cortes en bisel ni en introducción vertical.

NOTA: El ajuste sin nada de órbita también ayuda a reducir el astillamiento al cortar madera contrachapada.

Para retirar y volver a colocar el inserto contra astillamiento:

- Retire el paquete de batería.
- Fije el ángulo de corte a 0°.
- Para volver a colocarlo, deslícelo contra las lengüetas de la parte delantera de la zapata. Asegúrese de que quede bien encajado.
- Para retirar el deflector de virutas, sujete sus lados y empújelos hacia dentro, como en la imagen. Tire hacia fuera.
- Réinstalar el paquete de batería.

FUNCIONAMIENTO

PROTECTOR CONTRA VIRUTAS

Vea la figura 5, página 10.

Se suministra un protector de plástico transparente para colocarse en la abertura delantera de la sierra como protección contra el aserrín y las virutas lanzadas.

Para retirar y volver a colocar el deflector de virutas:

- Retire el paquete de batería.
- Para retirar el deflector de virutas, sujete sus lados y empújelos hacia dentro, como en la imagen. Tire hacia fuera.
- Para volver a colocar el deflector de virutas, sujete sus lados y empújelos hacia dentro, como en la imagen. Introdúzcalo en las ranuras situadas a cada lado de la parte delantera de la sierra.
- Réinstalar el paquete de batería.

PARA INSTALAR LAS HOJAS

Vea la figura 6, página 10.

La mordaza para ajustar hojas sin herramientas no requiere el uso de una llave de ajuste para instalar o quitar la hoja.

NOTA: La sierra de vaivén está diseñada para usar hojas de fuste en "T" solamente.

Para instalar las hojas:

- Retire el paquete de batería.
- Desmonte el protector contra virutas y la protección antiastillamiento.
- Tire de la mordaza para ajustar hojas hasta que se detenga.
- Sujetando la mordaza para ajustar hojas, introduzca la hoja de corte tanto como sea posible en la ranura de la barra de la sierra. Al hacer esto, se puede sentir cierta resistencia.
- Revise para asegurarse de que la parte posterior de la hoja de corte esté centrada en la ranura de la guía del rodillo.
- Suelte la mordaza de hoja. Asegúrese de que la hoja esté firmemente en su lugar.
- Vuelva a colocar el protector contra virutas y la protección antiastillamiento.
- Réinstalar el paquete de batería.

Para desmontar las hojas:

- Retire el paquete de baterías.
- Desmonte el protector contra virutas y la protección antiastillamiento.
- Tire de la mordaza para ajustar hojas hasta que se detenga.
- Sujetando la mordaza para ajustar hojas, quite la hoja de corte.
- Réinstalar el paquete de batería.

CORTES GENERALES

Vea la figura 7, página 10.

La placa protectora tiene un acabado liso y puede encajarse a presión sobre la zapata metálica de la sierra. Esto facilita el deslizamiento de la herramienta por la superficie de una pieza delicada, sin estropearla.

El rodillo oculto de soporte de la hoja asegura la precisión del corte. Su resistente cubierta de aluminio fundido ayuda a protegerlo contra el recalentamiento.

La protección de la hoja sirve para proteger al operador de tocar accidentalmente la hoja de la sierra.

Deje descansar la parte frontal de la base de la sierra en la pieza de trabajo y alinee el borde de corte de la hoja con la línea de dicha pieza. Start the saw and move it forward on the work surface. Aplique presión hacia abajo para mantener estable la sierra, y hacia adelante aplique sólo la presión suficiente para mantener

la sierra cortando. No fuerce la sierra. Si se fuerza la sierra puede recalentarse el motor y romperse la hoja de corte. Las hojas de corte rotas deben reemplazarse por nuevas.

MOVIMIENTO ORBITAL

Vea la figura 7, página 10.

La hoja de la sierra corta con un movimiento orbital. Esta característica es ajustable y proporciona un corte más rápido y eficiente. Con el movimiento orbital, la hoja corta la pieza de trabajo en la carrera ascendente pero no roza la pieza durante la carrera descendente.

La perilla de ajuste orbital permite seleccionar cinco posiciones orbitales para cortar materiales de diversos grosores y densidades. Los ajustes más elevados deben utilizarse cuando se desea cortar rápido material suave. Los ajustes más bajos deben utilizarse para cortar materiales de mayor resistencia.

CORTES RECTOS

Vea la figura 8, página 10.

Pueden realizarse cortes rectos fijando con prensas de mano una tabla recta o regla en la pieza de trabajo y guiando el borde de la sierra contra la misma. Realice el corte en una sola dirección; no corte hasta medio camino, para luego completar el corte a partir del extremo opuesto.

NOTA: No utilice el inserto contra astillamiento cuando efectúe cortes en bisel, en espiral y por penetración, ni cuando corte metal.

CORTES CONTORNEADOS

Vea la figura 9, página 10.

Pueden efectuarse cortes contorneados con la sierra de vaivén; para ello, guíe la dirección del corte aplicando presión lateral en el mango, como se muestra.



ADVERTENCIA:

Una presión lateral excesiva puede producir la ruptura de la hoja o daños en la pieza de trabajo.

CORTES DE ÁNGULOS (CORTES A BISEL)

Vea las figuras 10 - 11, página 10.

El ajuste de la zapata sin necesidad de herramienta permite cambiar rápidamente la posición del bisel. La zapata puede inclinarse hasta 45° a la izquierda o la derecha para cortar en bisel, con topes de seguridad a intervalos de 15°. Cuando se requieren cortes precisos, se recomienda utilizar un transportador de ángulos.

- Retire el paquete de baterías de la herramienta.
- Para aflojar la zapata, empuje hacia delante el ajuste de la misma que no requiere herramienta.
- Deslice la zapata hacia delante y a la izquierda o la derecha. Seleccione el grado de bisel que desee, alineando la lengüeta del alojamiento del motor con la muesca correspondiente en la parte trasera de la zapata.

FUNCIONAMIENTO

- Deslice la zapata hacia atrás (hacia la parte trasera de la herramienta) para encajar la lengüeta en la muesca.
- Empuje el ajuste de la zapata que no requiere herramienta, hasta alojarlo firmemente en su sitio. Compruebe que la zapata esté bien encajada, antes de poner en marcha la sierra.
- Réinstalar el paquete de batería.

NOTA: Al preparar la unidad con un transportador de ángulos con el fin de efectuar cortes precisos, o para ángulos diferentes de los prefijados a incrementos de 15°, no se usan las muescas de tope de la parte posterior de la base.

CORTES DE PENETRACIÓN

Vea la figuras 12 - 13, página 10.

ADVERTENCIA:

Para evitar perder el control, romper hojas o dañar la pieza de trabajo, siempre tenga extrema precaución al efectuar cortes de penetración. No recomendamos efectuar cortes de penetración en ningún material que no sea madera.

- Marque claramente la línea de corte en la pieza de trabajo.
- Fije el ángulo de corte a 0° y ajuste la órbita a "0".
- Perfore un agujero guía a través de cualquier punto en la línea de corte.
- Encienda la sierra a alta velocidad y lentamente baje la hoja a través del agujero guía para introducirla en la pieza de trabajo hasta que empiece a cortar a través de la madera.
- No mueva hacia adelante la base hasta que la hoja no corte totalmente a través de la pieza de trabajo y la base toque completamente dicha pieza.
- Mueva hacia adelante la sierra para terminar la abertura.
- Para este tipo de corte sólo utilice hoja de siete dientes por pulgada.

Este producto tiene una política de satisfacción garantizada de 90 días y una garantía limitada de tres años.

Para obtener detalles sobre la garantía y la política de satisfacción garantizada, diríjase a www.RIDGID.com o llame sin cargo al 1-866-539-1710.

MAINTENANCE

WARNING:

When servicing, use only identical replacement parts. Use of any other parts could create a hazard or cause product damage.

GENERAL MAINTENANCE

Avoid using solvents when cleaning plastic parts. Most plastics are susceptible to damage from various types of commercial solvents and may be damaged by their use. Use clean cloths to remove dirt, dust, oil, grease, etc.

ENTRETIEN

AVERTISSEMENT :

Utiliser exclusivement des pièces d'origine pour les réparations. L'usage de toute autre pièce pourrait créer une situation dangereuse ou endommager l'produit.

ENTRETIEN GÉNÉRAL

Éviter d'utiliser des solvants pour le nettoyage des pièces en plastique. La plupart des matières plastiques peuvent être endommagées par divers types de solvants du commerce. Utiliser un chiffon propre pour éliminer la saleté, la poussière, l'huile, la graisse, etc.

MANTENIMIENTO

ADVERTENCIA:

Al dar servicio a la unidad, sólo utilice piezas de repuesto idénticas. El empleo de piezas diferentes podría causar un peligro o dañar el producto.

MANTENIMIENTO GENERAL

Evite el empleo de solventes al limpiar piezas de plástico. La mayoría de los plásticos son susceptibles a diferentes tipos de solventes comerciales y pueden resultar dañados. Utilice paños limpios para eliminar la suciedad, el polvo, el aceite, la grasa, etc.

BATTERY PACK REMOVAL AND PREPARATION FOR RECYCLING

WARNING:

Upon removal, cover the battery pack's terminals with heavy-duty adhesive tape. Do not attempt to destroy or disassemble battery pack or remove any of its components. Batteries must be recycled or disposed of properly. Also, never touch both terminals with metal objects and/or body parts as short circuit may result. Keep away from children. Failure to comply with these warnings could result in fire and/or serious injury.

RETRAIT DU BLOC-PILES ET PRÉPARATION POUR LE RECYCLAGE

AVERTISSEMENT :

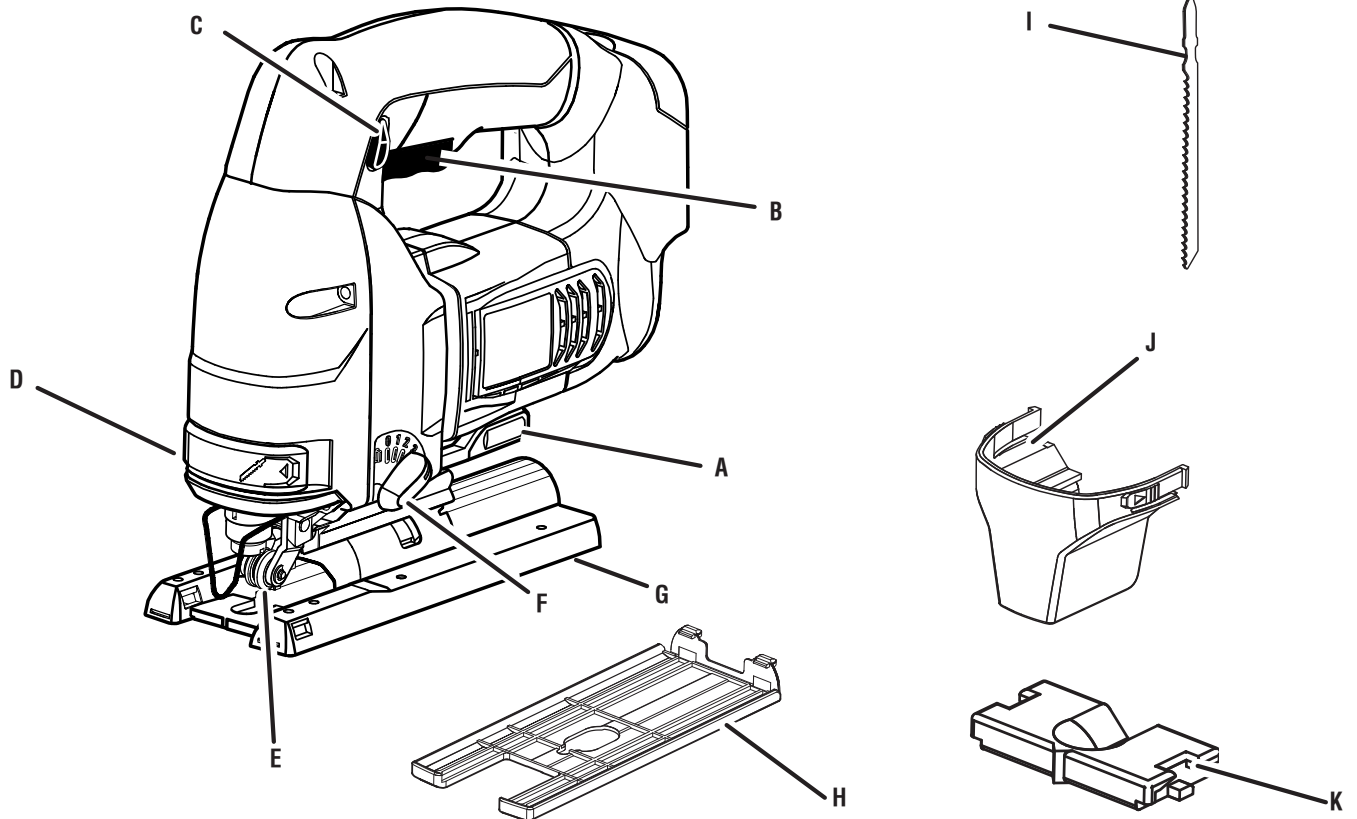
Après avoir retiré le piles, couvrir ses bornes avec un ruban adhésif de qualité industrielle. Ne pas essayer de démonter ou détruire le piles, ni de retirer des composants quels qu'ils soient. Les piles épuisées doivent être recyclées ou éliminées selon une méthode appropriée. Ne jamais toucher les deux bornes avec des objets en métal ou une partie du corps, car cela pourrait créer un court-circuit. Garder hors de la portée des enfants. Le non-respect de ces mises en garde peut résulter en un incendie et/ou des blessures graves.

REMOCIÓN DEL PAQUETE DE BATERÍAS PARA EL RECICLADO

ADVERTENCIA:

Al retirar el paquete de baterías, cubra las terminales del mismo con cinta adhesiva reforzada. No intente destruir o desarmar el paquete de baterías, ni de desmontar ninguno de sus componentes. Las baterías deben reciclarse o desecharse debidamente. Asimismo, nunca toque ambas terminales con objetos metálicos y partes del cuerpo, ya que puede producirse un corto circuito. Manténgase fuera del alcance de los niños. La inobservancia de estas advertencias puede causar incendios y lesiones corporales serias.

Fig. 1

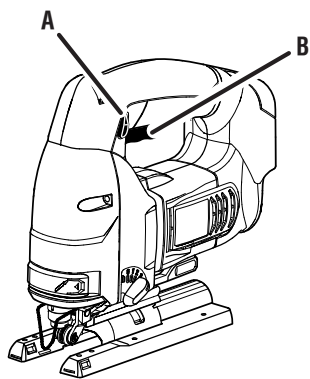


- A - Tool-free shoe adjustment lever (réglage levier du sabot sans outil, escape ajustable sin herramientas con silenciador)
- B - Switch trigger (gâchette de commutateur, gatillo del interruptor)
- C - Trigger lock (verrouillage de gâchette, seguro del gatillo)
- D - Tool-Free blade clamp (verrouillage de lame sans outil, la mordaza para hoja no requiere herramienta)

- E - Recessed blade-support roller (galet de support de lame en retrait, rodillo oculto de soporte de la hoja)
- F - Orbital adjustment knob (bouton de réglage d'orbite, perilla de ajuste de órbita)
- G - Base (base, base)
- H - No-Mar Plate (plaque de protection, placa protectora)

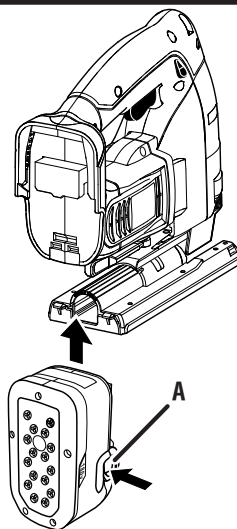
- I - T-shank saw blade (lame de scie à tige en T, hoja de la sierra con fuste en "T")
- J - Chip shield (pare-copeaux, protector contra virutas)
- K - Anti-splintering insert (protecteur anti-éclatement, inserto contra astillamiento)

Fig. 2



- A - Trigger lock (verrouillage de gâchette, seguro del gatillo)
- B - Switch trigger (gâchette de commutateur, gatillo del interruptor)

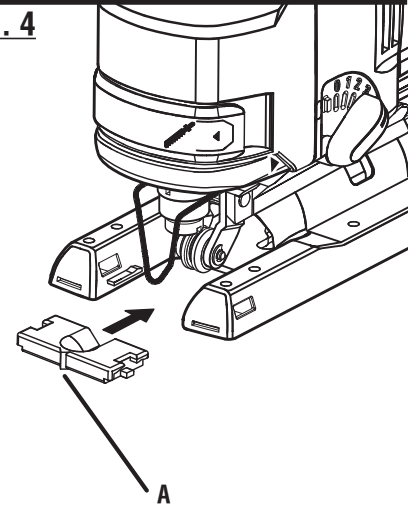
Fig. 3



DEPRESS LATCHES TO RELEASE BATTERY PACK/ APPUYER SUR LES LOQUETS POUR LIBÉRER LE BLOC PILE/ PARA SOLTAR EL PAQUETE DE BATERIAS OPRIMA LOS PESTILLOS

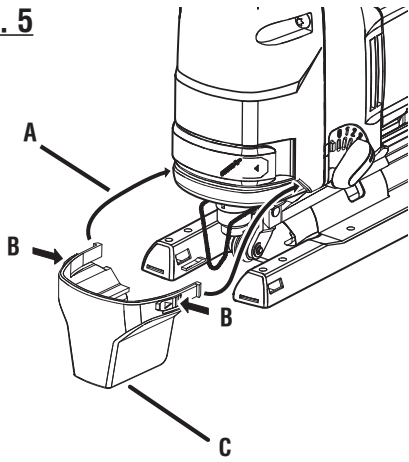
- A - Latch (loquet, pestillo)

Fig. 4



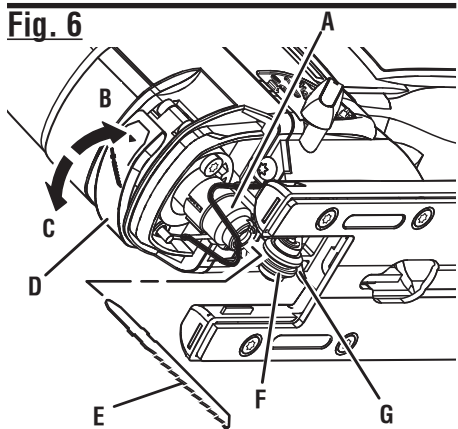
- A - Anti-splintering insert (protecteur anti-éclatement, inserto contra astillamiento)

Fig. 5



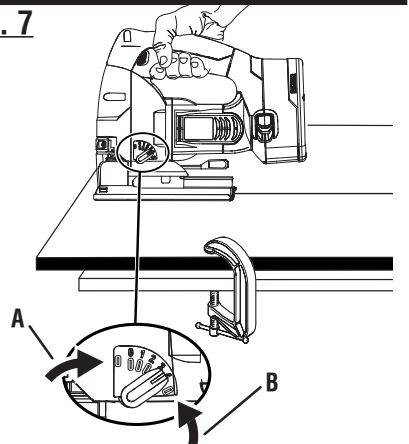
- A - To install (installation, para la instalación)
- B - To remove (pour retirer, para el desmontaje)
- C - Chip shield (pare-copeaux, protector contra virutas)

Fig. 6



- A - Saw bar (barre de la scie, barra de la sierra)
- B - To lock (pour verrouiller, para asegurar)
- C - To release (pour relâcher, para aflojar)
- D - Blade clamp (porte-lame, mordaza de la cuchilla)
- E - Saw blade (lame, hoja de la sierra)
- F - Groove (rainure, sillón)
- G - Blade-support roller (rouleau d'appui de la lame, rodillo de soporte de la hoja)

Fig. 7



- A - To increase orbital setting (pour accroître le mouvement orbital)
- B - To decrease orbital setting (pour réduire le mouvement orbital, para disminuir el ajuste de la órbita)

Fig. 8

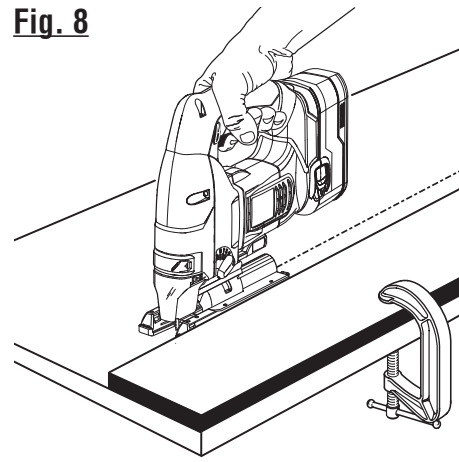


Fig. 9

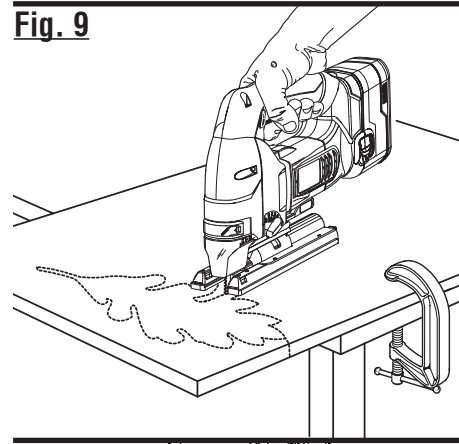
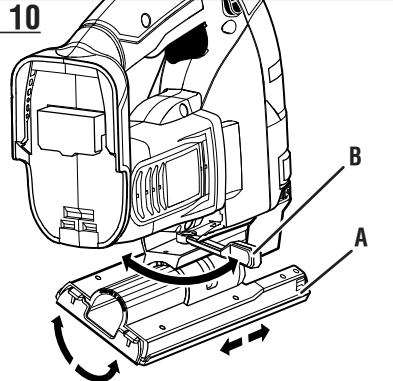
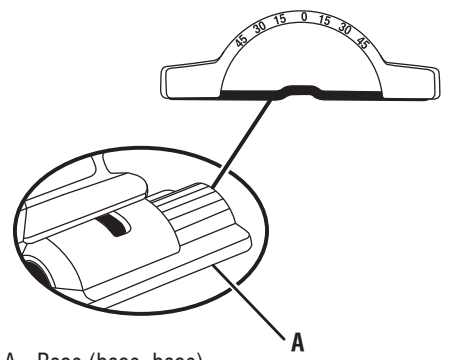


Fig. 10



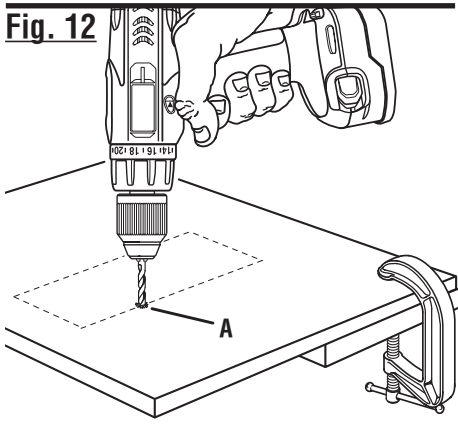
- A - Base (base, base)
- B - Base adjustment lever (levier de réglage de la base, palanca de ajuste de la base)

Fig. 11



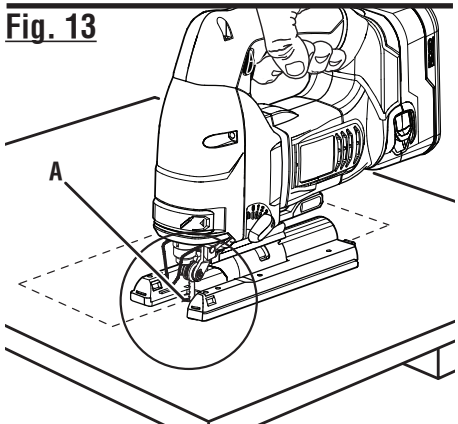
- A - Base (base, base)

Fig. 12



- A - Pilot hole (avant trou, agujero guía)

Fig. 13



- A - Pilot hole (avant trou, agujero guía)

CALIFORNIA PROPOSITION 65

WARNING:

This product and some dust created by power sanding, sawing, grinding, drilling, and other construction activities may contain chemicals, including lead, known to the State of California to cause cancer, birth defects, or other reproductive harm. **Wash hands after handling.**

Some examples of these chemicals are:

- lead from lead-based paints,
- crystalline silica from bricks and cement and other masonry products and,
- arsenic and chromium from chemically treated lumber.

Your risk from exposure to these chemicals varies, depending on how often you do this type of work. To reduce your exposure, work in a well-ventilated area and with approved safety equipment, such as dust masks that are specially designed to filter out microscopic particles.

PROPOSITION 65 DE L'ÉTAT DE CALIFORNIE

AVERTISSEMENT :

Ce produit et la poussière dégagée lors du ponçage, sciage, meulage, perçage de certains matériaux et lors d'autres opérations de construction peuvent contenir des produits chimiques, notamment du plomb qui, selon l'État de la Californie, peuvent causer le cancer, des anomalies congénitales et d'autres dommages au système reproducteur. **Bien se laver les mains après toute manipulation.**

Voici certains exemples de ces produits chimiques:

- le plomb contenu dans la peinture au plomb,
- la silice cristalline contenue dans les briques, le béton et d'autres produits de maçonnerie, ainsi que
- l'arsenic et le chrome contenus dans le bois de construction traité par produits chimiques.

Le risque présenté par l'exposition à ces produits varie en fonction de la fréquence de ce type de travail. Pour réduire l'exposition, travailler dans un endroit bien aéré et utiliser des équipements de sécurité approuvés tels que masques antipoussières spécialement conçus pour filtrer les particules microscopiques.

CALIFORNIA - PROPUESTA DE LEY NÚM. 65

ADVERTENCIA:

Este producto y algunos polvos generados al efectuarse operaciones de lijado, aserrado, esmerilado, taladrado y otras actividades de la construcción, contienen sustancias químicas reconocidas por el estado de California como causantes de cáncer, defectos congénitos y otras afecciones del aparato reproductor. **Lávese las manos después de utilizar el aparato.**

Algunos ejemplos de estas sustancias químicas son:

- plomo de las pinturas a base de plomo,
- sílice cristalino de los ladrillos, del cemento y de otros productos de albañilería, y
- arsénico y cromo de la madera químicamente tratada.

El riesgo de la exposición a estos compuestos varía, según la frecuencia con que se realice este tipo de trabajo. Para reducir la exposición personal, trabaje en áreas bien ventiladas, y con equipo de seguridad aprobado, tal como las caretas para el polvo especialmente diseñadas para filtrar partículas microscópicas.

OPERATOR'S MANUAL

18 V JIG SAW

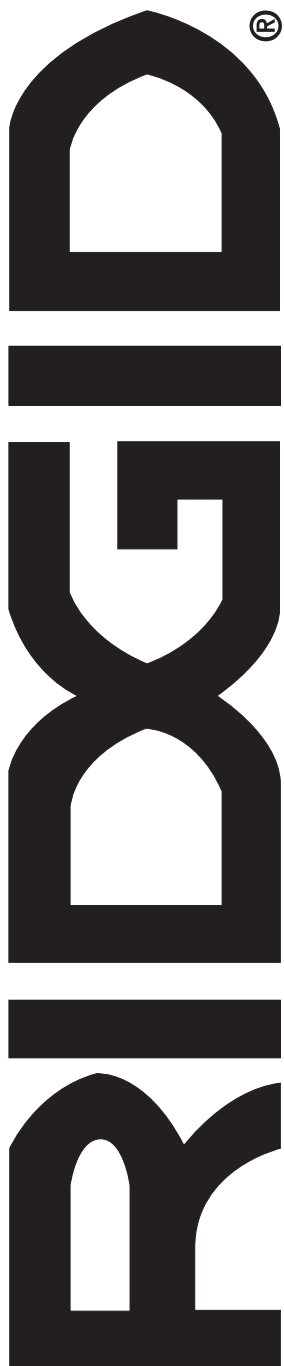
MANUEL D'UTILISATION

18 V SCIE SAUTEUSE

MANUAL DEL OPERADOR

18 V SIERRA DE VAIVÉN

R8831



Customer Service Information:

For parts or service, contact your nearest RIDGID authorized service center. Be sure to provide all relevant information when you call or visit. For the location of the authorized service center nearest you, please call 1-866-539-1710 or visit us online at www.ridgid.com.

The model number of this tool is found on a plate attached to the motor housing. Please record the serial number in the space provided below. When ordering repair parts, always give the following information:

Model No. _____

Serial No. _____

Service après-vente :

Pour acheter des pièces ou pour un dépannage, contacter le centre de réparations RIDGID agréé le plus proche. Veiller à fournir toutes les informations pertinentes lors de tout appel téléphonique ou visite. Pour obtenir l'adresse du centre de réparations agréé le plus proche, téléphoner au 1-866-539-1710, ou visiter notre site www.ridgid.com.

Le numéro de modèle se trouve sur une plaquette fixée au boîtier du moteur. Noter le numéro de série dans l'espace ci-dessous. Lors de toute commande de pièces détachées, fournir les informations suivantes :

No. de modèle _____

No. de série _____

Información sobre servicio al consumidor:

Para piezas de repuesto o servicio, comuníquese con el centro de servicio autorizado de productos RIDGID de su preferencia. Asegúrese de proporcionar todos los datos pertinentes al llamar o al presentarse personalmente. Para obtener información sobre el centro de servicio autorizado más cercano a usted, le suplicamos llamar al 1-866-539-1710 o visitar nuestro sitio en la red mundial, en la dirección www.ridgid.com.

El número de modelo de este producto se encuentra en una placa adherida al alojamiento del motor. Le recomendamos anotar el número de serie en el espacio suministrado abajo. Al ordenar piezas de repuesto siempre proporcione la siguiente información:

Núm. de modelo _____

Núm. de serie _____

990000523
2-19-13 (REV:01)