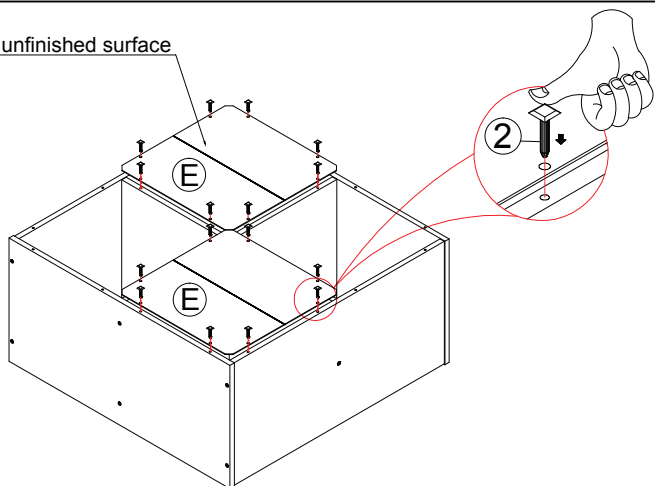
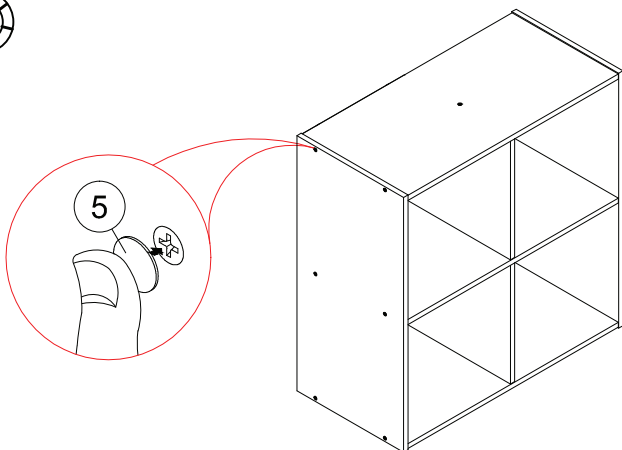


6

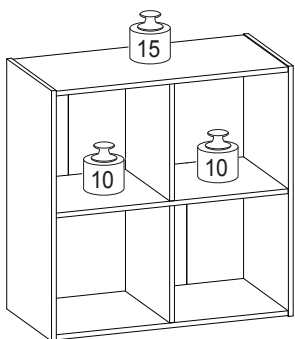
unfinished surface



7



### Recommended Maximum Weight



\*Unit in Pound(lbs)

#### **WARNING:**

>This unit has been designed to support the maximum loads shown. Exceeding these load limits could cause sagging, instability, product collapse, and/or serious injury.

>DO NOT allow children to climb on unit.

>Put heavier items on lower shelves.



## Assembly Instruction

Furinno 4 CUBE CABINET

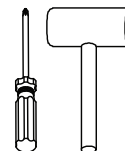
MODEL : 18051

00:20

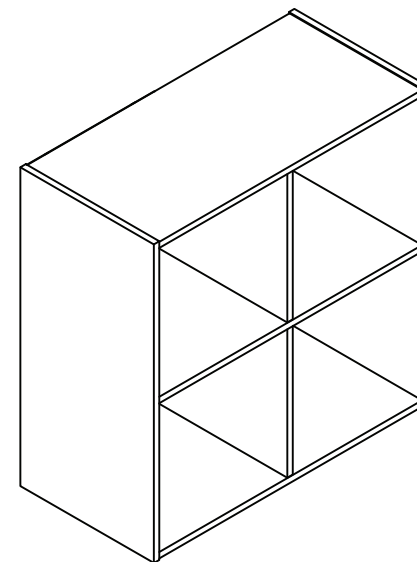
Approx. 20 minutes



Recomm. 1 Person



Tool Required








### Customer Support

**NEED HELP?** For replacement requests or product inquiries, please contact our Customer Service Team by emailing us at [support@furinno.com](mailto:support@furinno.com). Thank you for selecting Furinno!

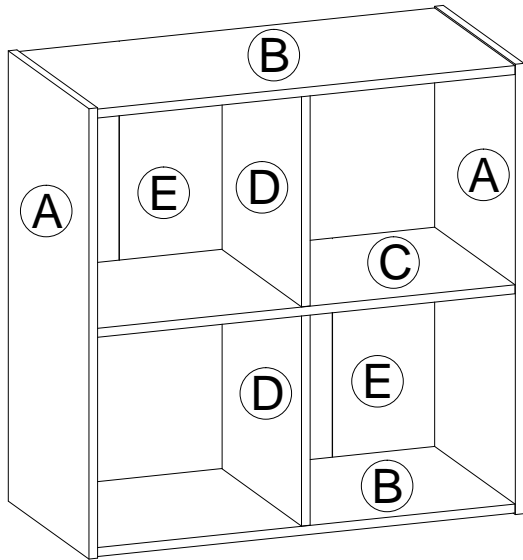
[www.furinno.com](http://www.furinno.com)



# HARDWARE & PARTS LIST

NO	HARDWARE LIST	QTY
1	SCREW 	14pcs
2	BACK PLUG 	16pcs
3	LONG DOWEL 	2pcs
4	SHORT DOWEL 	4pcs
5	SCREW COVER CARD 	14pcs

NO	PARTS LIST	QTY
A	SIDE PANEL	2pcs
B	TOP / BOTTOM PANEL	2pcs
C	SHELF PANEL	1pc
D	CENTER SIDE PANEL	2pcs
E	BACK PANEL	2pcs



### USEFUL HINTS BEFORE YOU START:

1. Read each step carefully before starting.
2. It is important that each step is performed in correct order to avoid difficulties.
3. Identify, sort and count the parts before assembly.
4. Assemble your furniture on packaging cardboard to prevent scratch or damage.
5. Clean the product with mild cleanser using soft damped cloth. Do not use harsh or abrasive cleanser.
6. Using incompatible hardware might cause damage to product.

# ASSEMBLY INSTRUCTIONS

BEFORE YOU BEGIN, PLEASE READ ASSEMBLY INSTRUCTION CAREFULLY, FOLLOW THEM STEP BY STEP.

