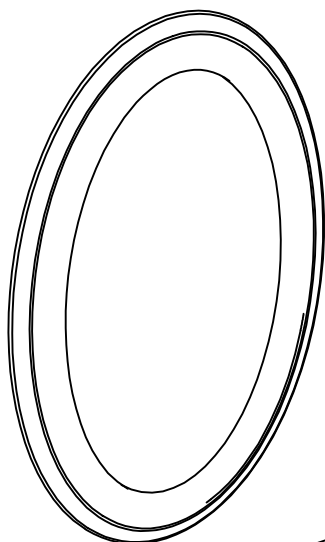
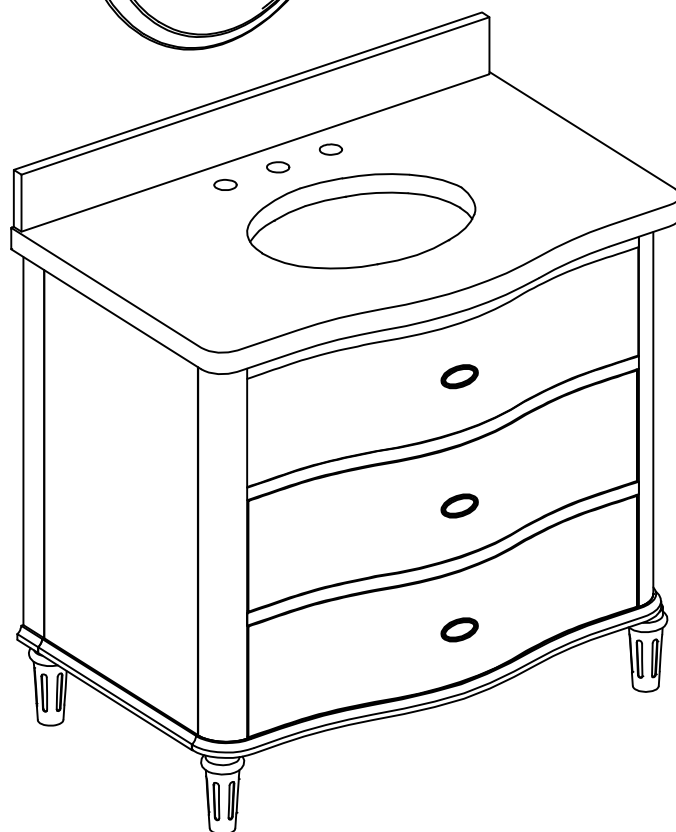


**CRAWFORD  
& BURKE**

**BATHROOM VANITY  
ASSEMBLY INSTRUCTION for B2.V only**



B2.M Mirror

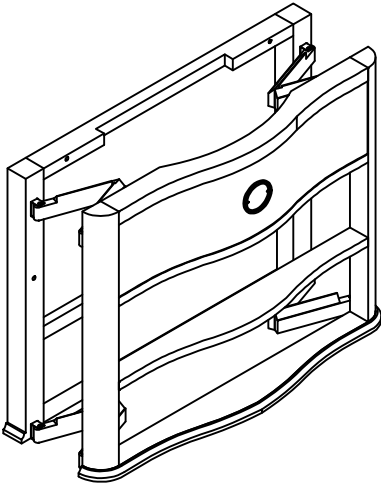


B2.V Vanity

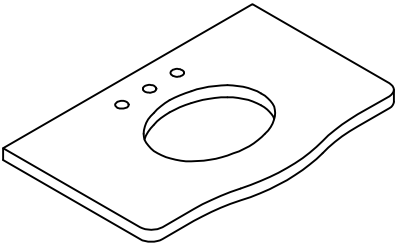
No tools required for vanity base and vanity top assembly.

\*Screwdriver required for securing vanity base and vanity mirror to wall.

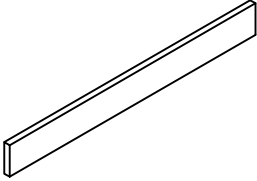
# PARTS



**A** x1PC



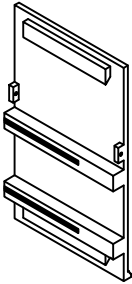
**B** x1PC



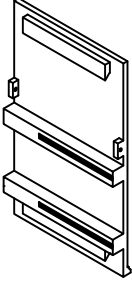
**C** x1PC



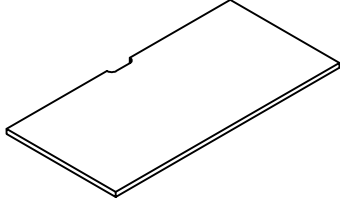
**D** x4PCS



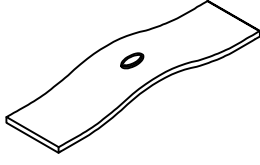
**E** x1PC



**F** x1PC



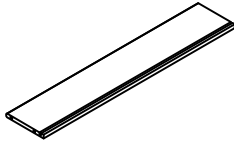
**G** x1PC



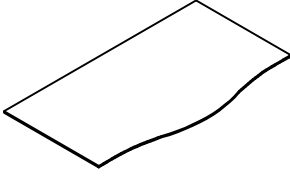
**H** x2PCS



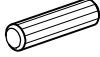
**I** x4PCS



**J** x2PCS



**K** x2PCS



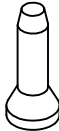
**L** x16PCS



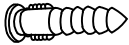
**M** x16PCS



**N** x16PCS



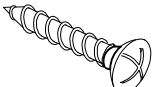
**O** x8PCS



**P** x2PCS



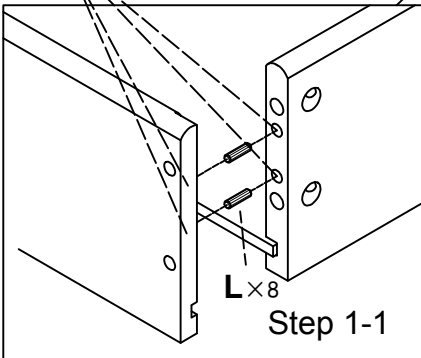
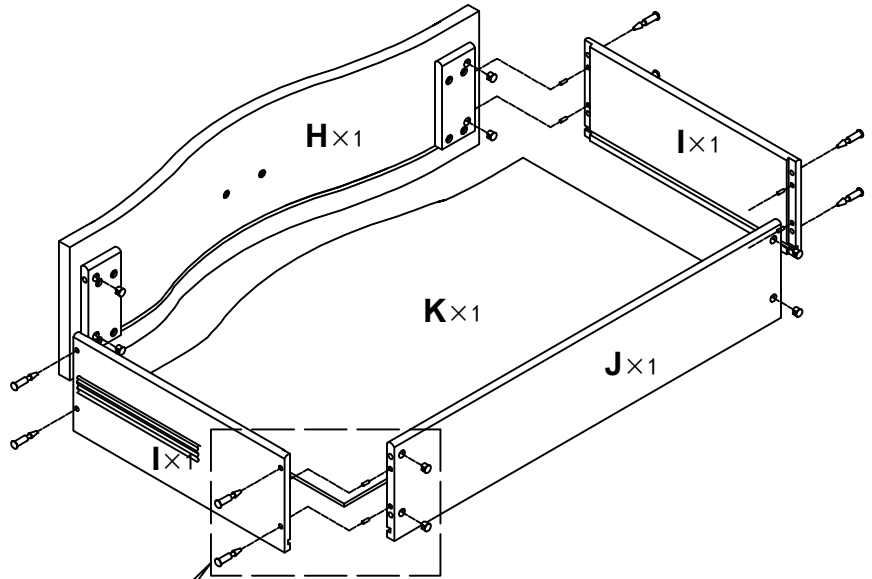
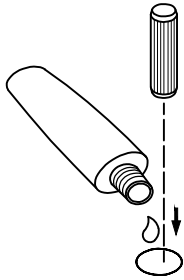
**Q** x2PCS



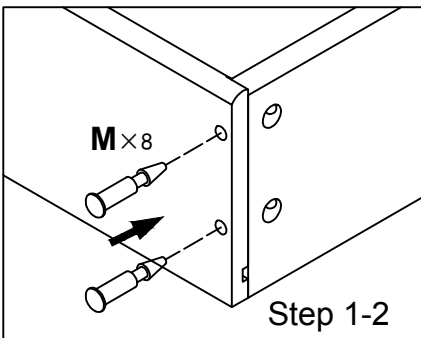
**R** x1PC

# STEP 1

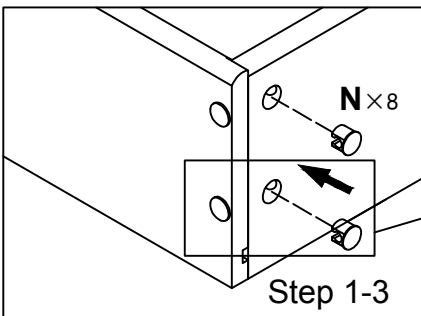
For added strength use wood dowels in conjunction with wood glue. Wood glue can be purchased at most grocery, hardware, and home improvement stores.



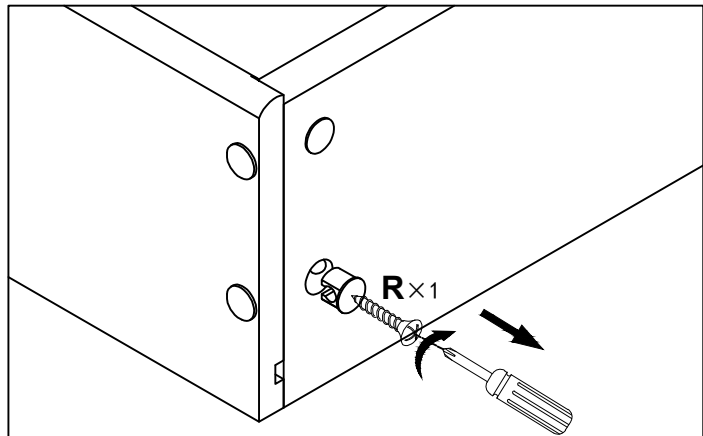
Step 1-1



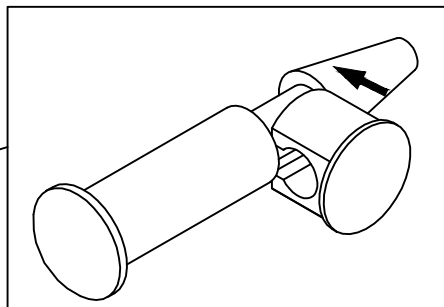
Step 1-2



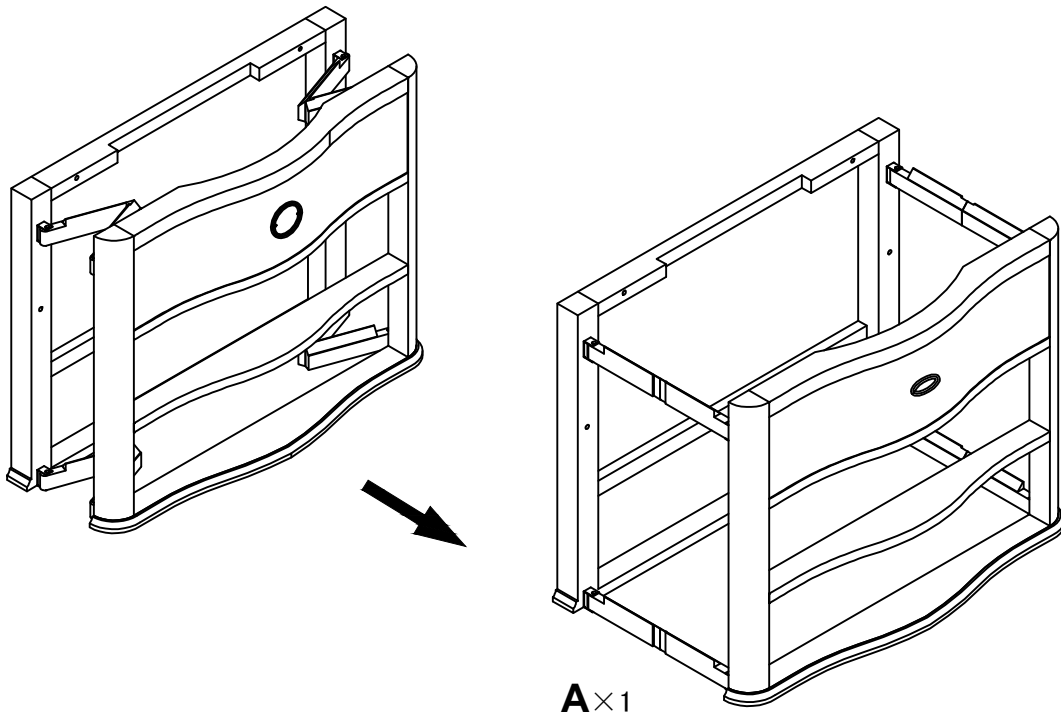
Step 1-3



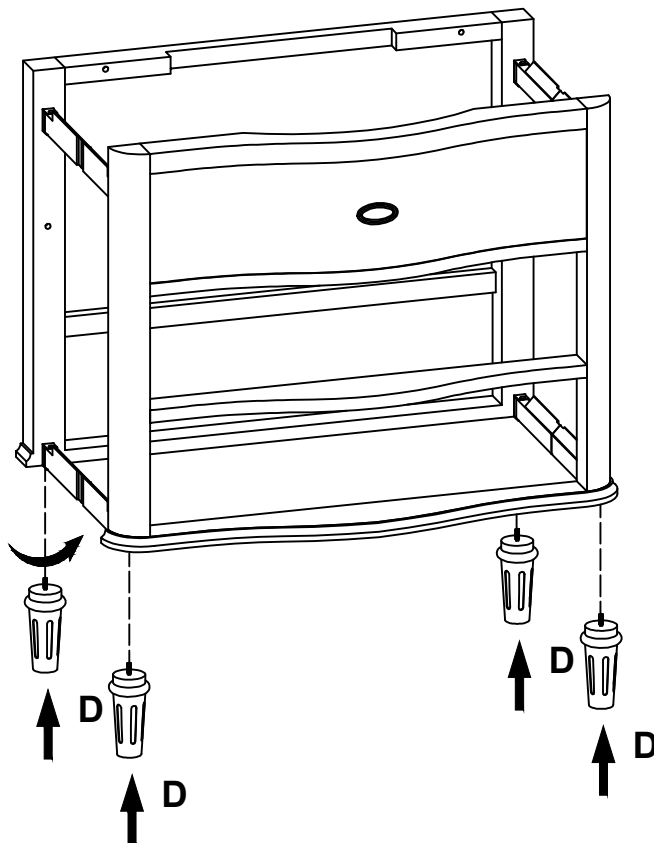
Wood screw and screw driver are required should drawer box need to ever be dismantled. Partially insert wood screw into top of Part N then pull out.



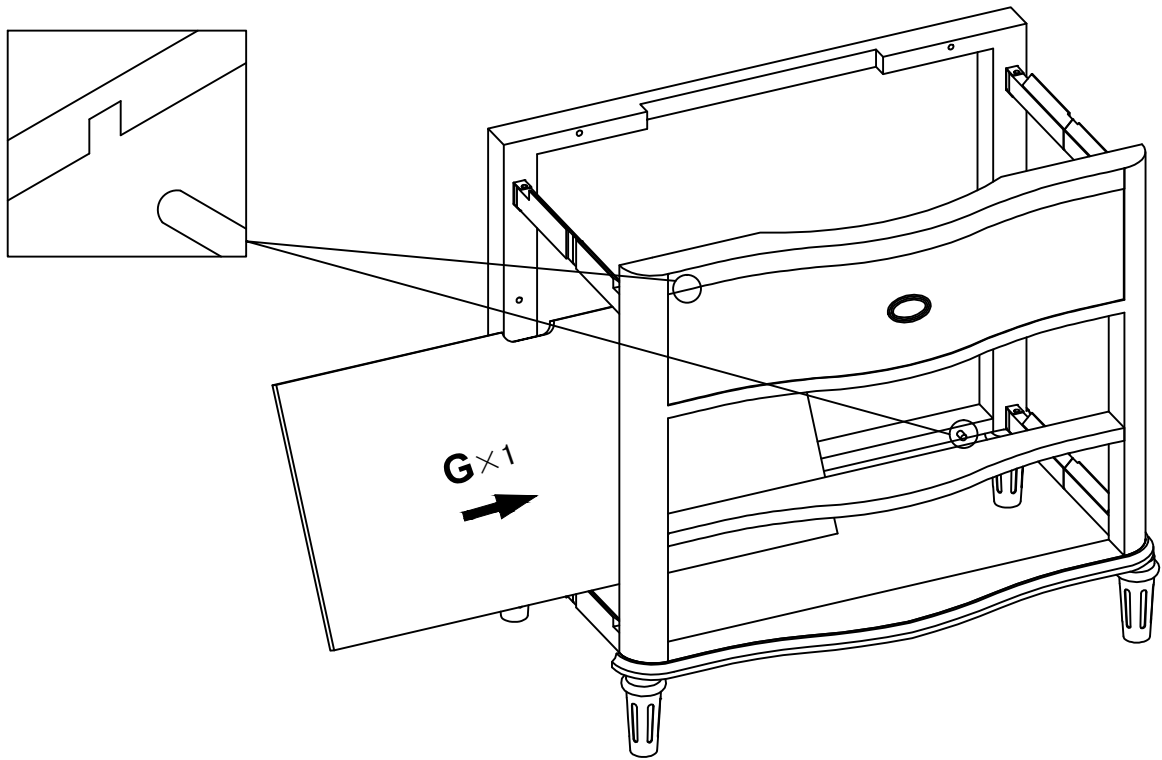
## STEP 2



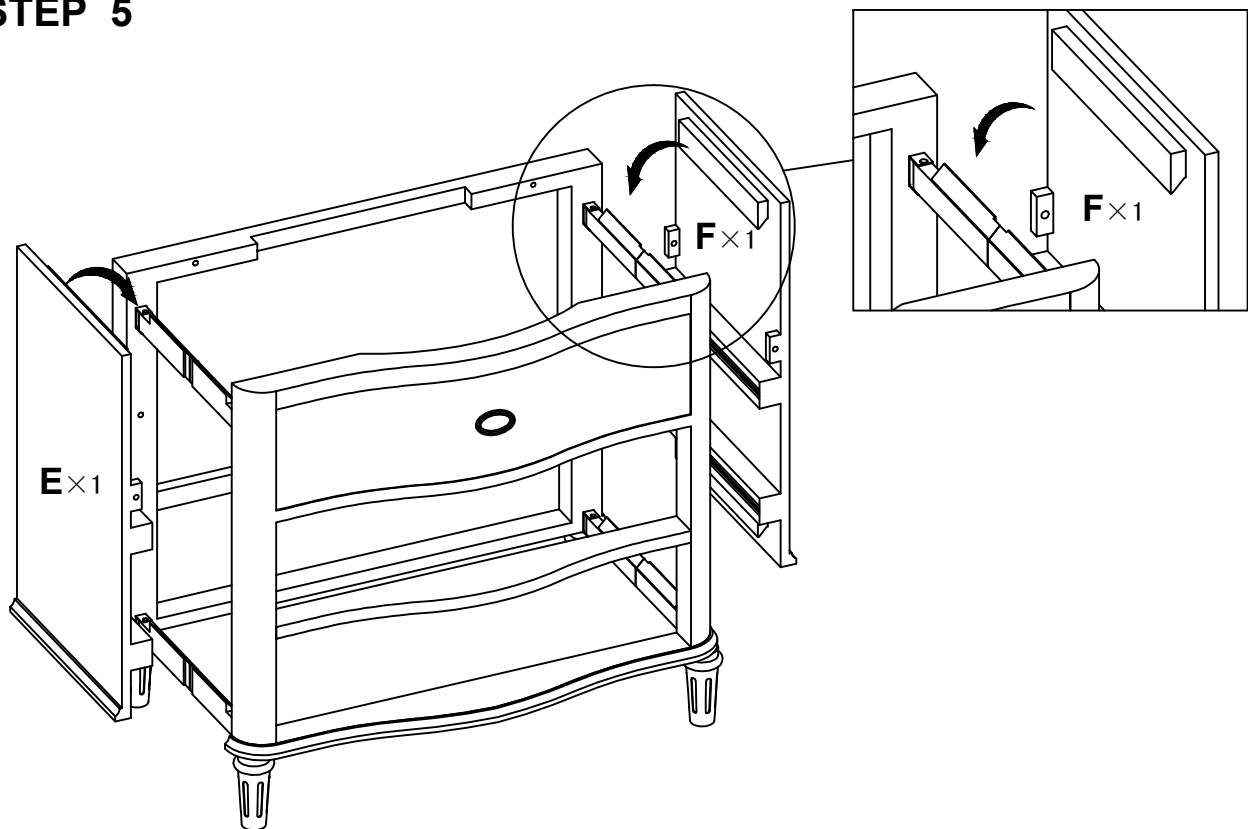
## STEP 3



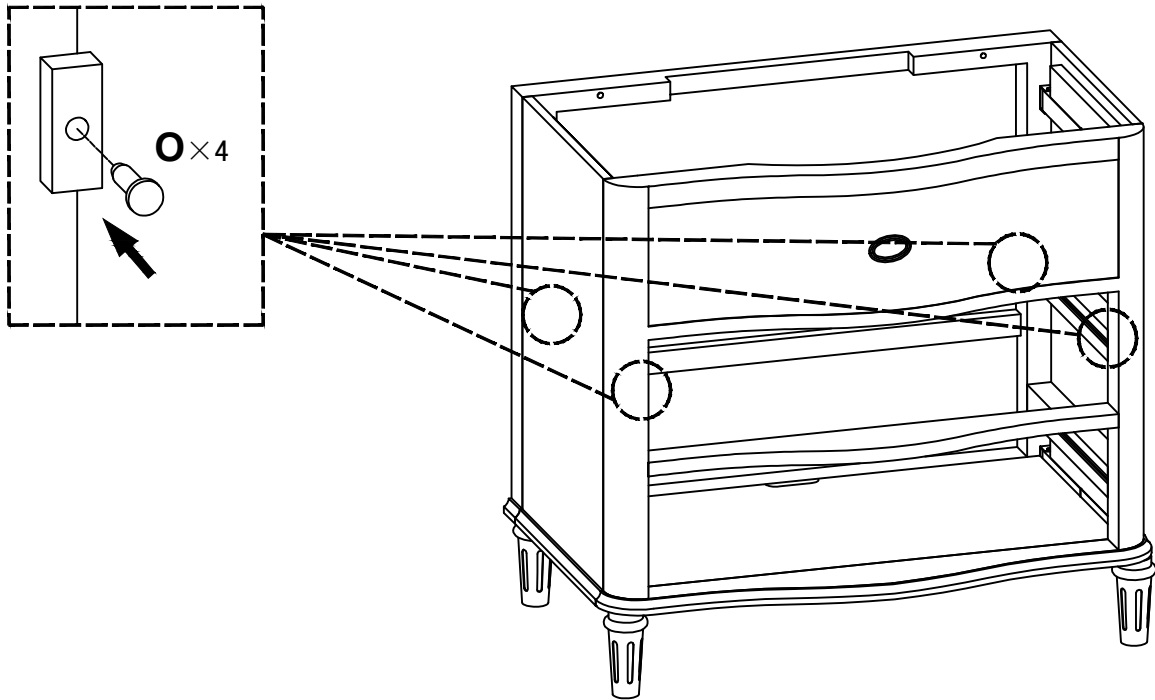
## STEP 4



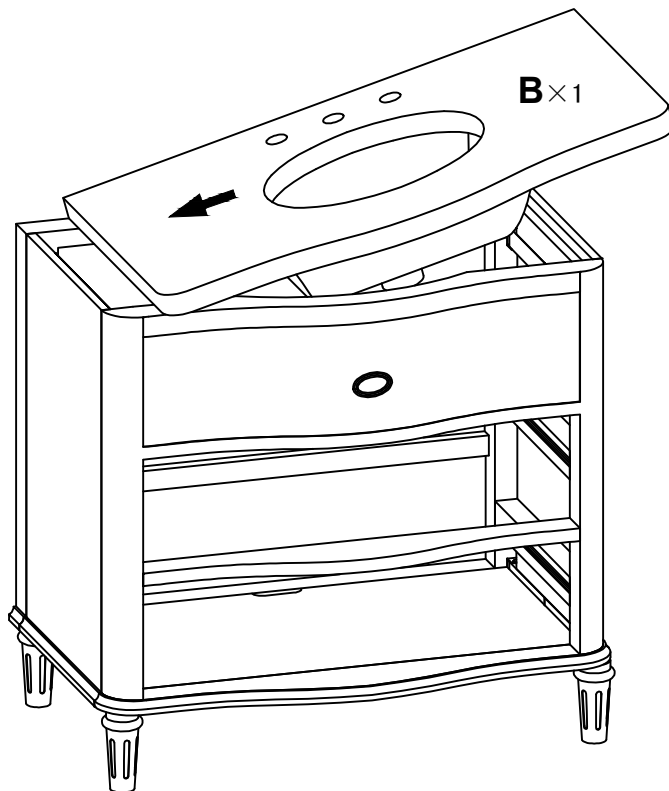
## STEP 5



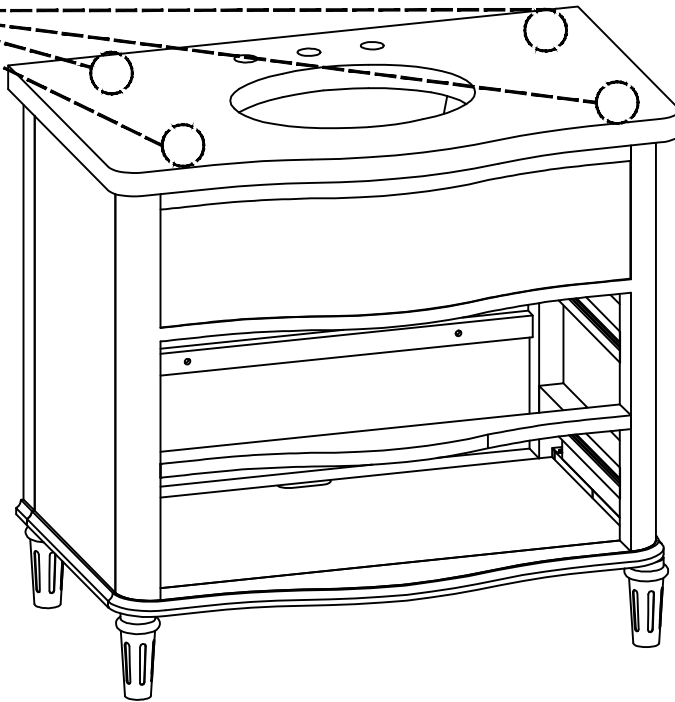
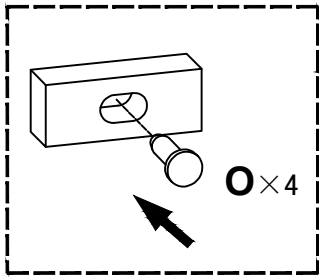
## STEP 6



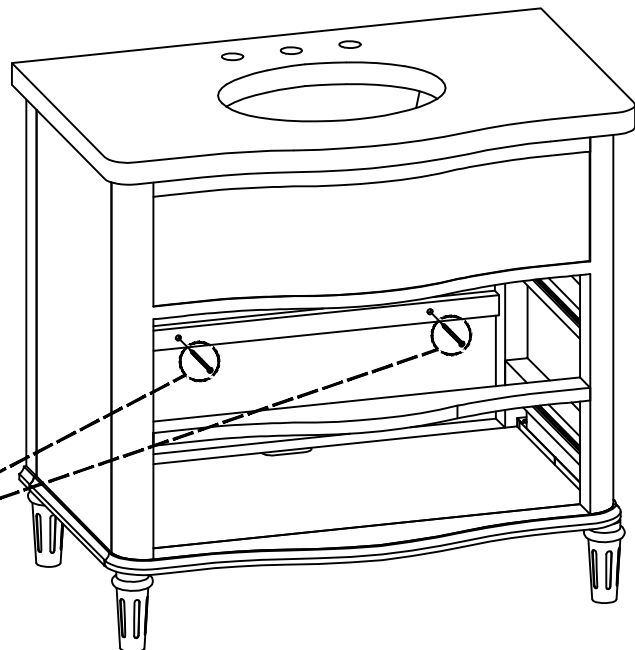
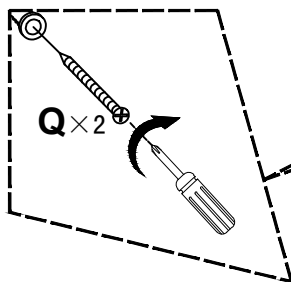
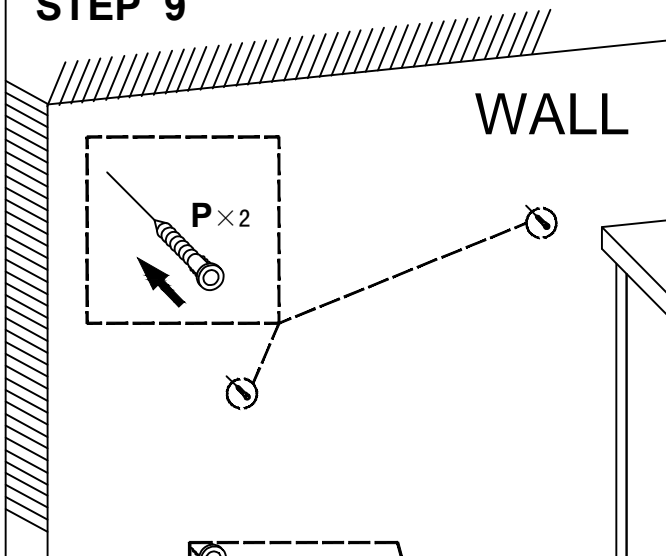
## STEP 7



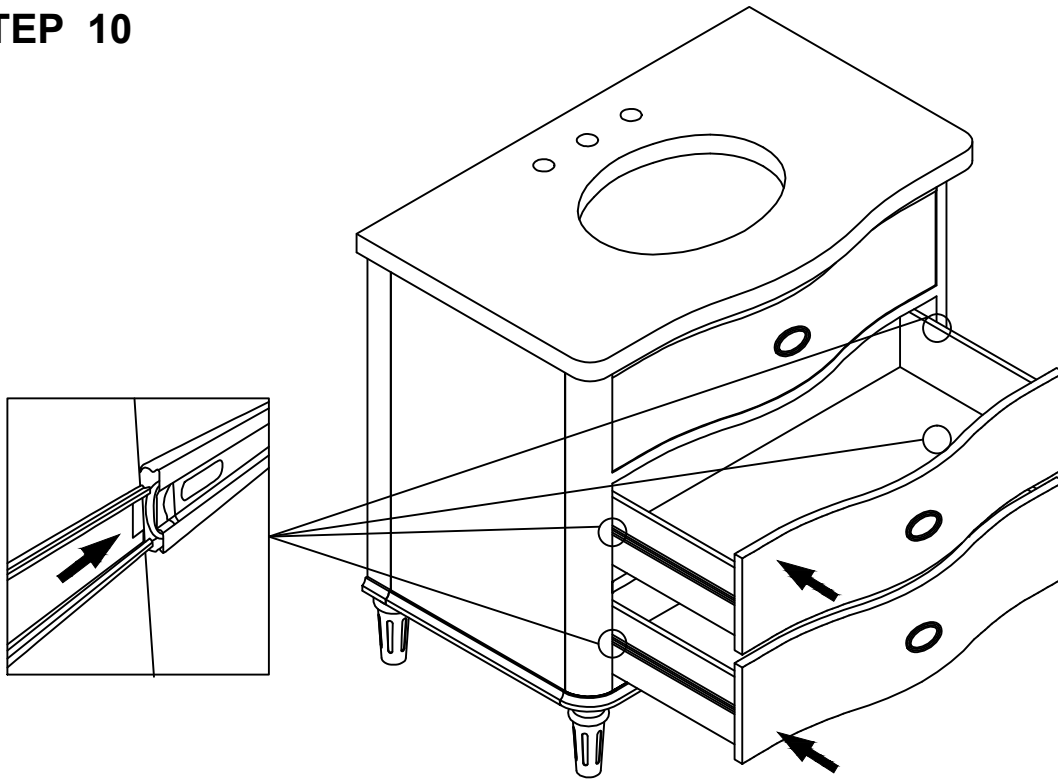
### STEP 8



### STEP 9



**STEP 10**



**STEP 11**

