

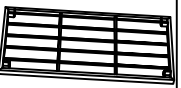
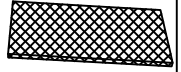
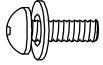
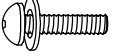

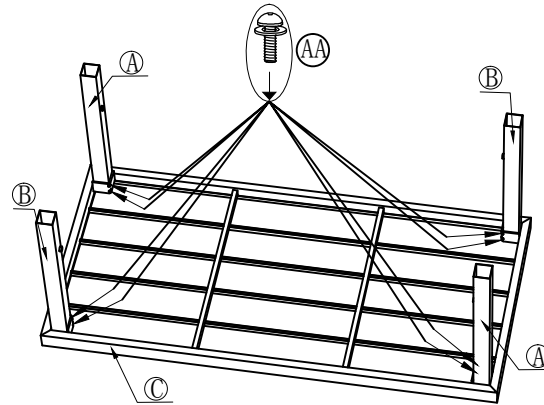


Assembly Instructions

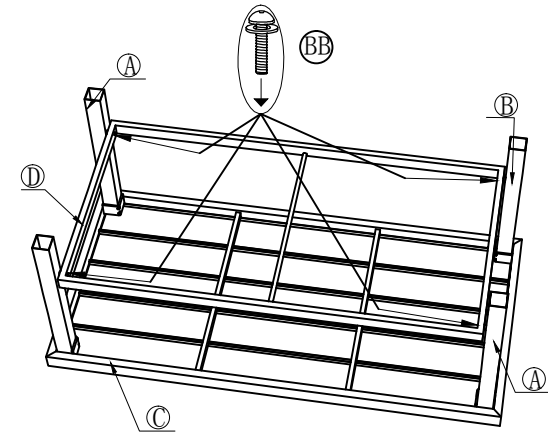
TQ6320

NO.	PART LIST	DESCRIPTION	Q/TY
A		LEFT LEG	2PCS
B		RIGHT LEG	2PCS
C		TABLE TOP	1PC
D		SUPPORT FRAME	1PC
AA		BOLT M6*15	8PCS
BB		BOLT M6*30	4PCS
CC		HEX WRENCH	

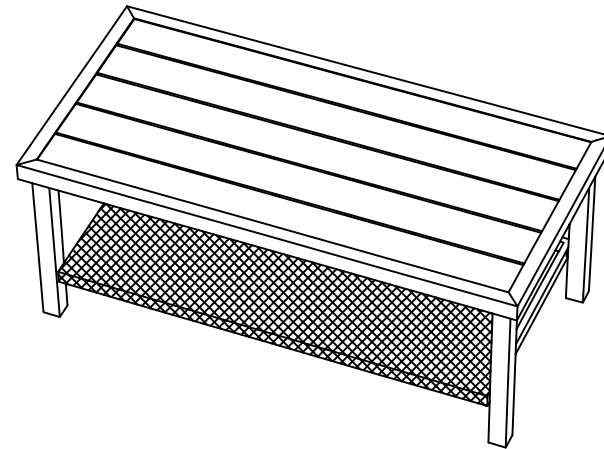
(1)



(2)



(3)



Note: do not tighten bolts until all parts are connected