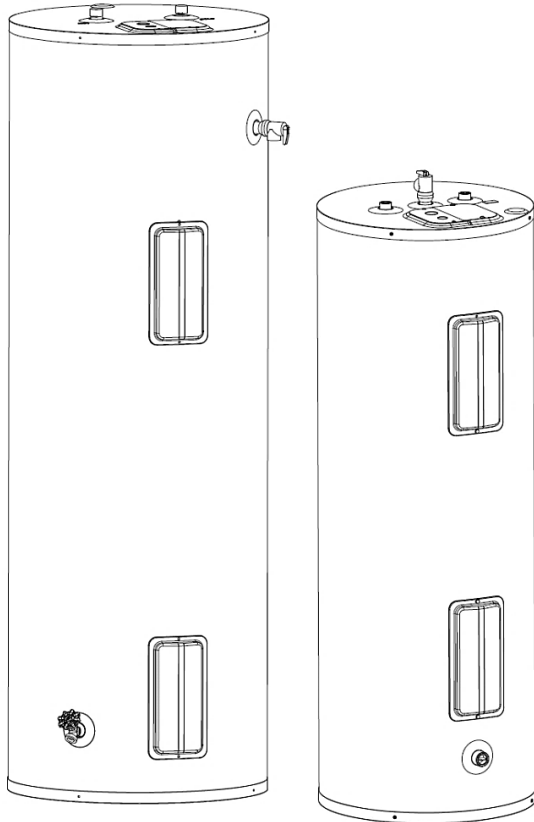




Westinghouse

Electric Residential Water Heater



USE AND CARE MANUAL

INSTALLATION

START-UP

MAINTENANCE

PARTS

WARRANTY

Residential Models

WER040 / 050 / 080 / 100 / 115

A Suffix of "U" Denotes Utility Models



⚠ WARNING

California Proposition 65 Warning: This product contains chemicals known to the State of California to cause cancer, birth defects, or other reproductive harm.

⚠ DANGER

This manual must only be used by a qualified heating installer/service technician. Read all instructions in this manual before installing. Perform steps in the order given. Failure to comply could result in substantial property damage, severe personal injury, or death.

NOTICE: Westinghouse reserves the right to make product changes or updates without notice and will not be held liable for typographical errors in literature.

The surfaces of these products contacted by consumable water contain less than 0.25% lead by weight, as required by the Safe Drinking Water Act, Section 1417.

NOTE TO CONSUMER: PLEASE KEEP ALL INSTRUCTIONS FOR FUTURE REFERENCE.

SPECIAL ATTENTION BOXES

The following defined terms are used throughout this manual to bring attention to the presence of hazards of various risk levels, or to important product information.

DANGER

DANGER indicates an imminently hazardous situation which, if not avoided, will result in death or serious injury.

WARNING

WARNING indicates a potentially hazardous situation which, if not avoided, could result in death or serious injury.

CAUTION

CAUTION indicates a potentially hazardous situation which, if not avoided, may result in minor or moderate injury.

CAUTION

CAUTION used without the safety alert symbol indicates a potentially hazardous situation which, if not avoided, may result in property damage.

NOTICE

NOTICE is used to address practices not related to personal injury.

FOREWORD

This manual is intended to be used in conjunction with other literature provided with the electric water heater. This includes all related control information. It is important that this manual, all other documents included with this system, and additional publications be reviewed in their entirety before beginning any work.

Installation should be made in accordance with the regulations of the Authority Having Jurisdiction, local code authorities, and utility companies which pertain to this type of water heating equipment.

Authority Having Jurisdiction (AHJ) – The Authority Having Jurisdiction may be a federal, state, local government, or individual such as a fire chief, fire marshal, chief of a fire prevention bureau, labor department or health department, building official or electrical inspector, or *others having statutory authority*. In some circumstances, the property owner or his/her agent assumes the role, and at government installations, the commanding officer or departmental official may be the AHJ.

NOTE: Westinghouse reserves the right to modify product technical specifications and components without prior notice.

WARNING

IMPORTANT SAFETY INSTRUCTIONS

When using electrical appliances, basic safety precautions to reduce the risk of fire, electric shock, or injury to persons should be followed, including:

1. READ ALL INSTRUCTIONS BEFORE USING THIS WATER HEATER.
2. This water heater must be grounded. Connect only to a properly grounded outlet. See Part 4 – Heater Wiring, this manual, for grounding details.
3. Install or locate this water heater only in accordance with the provided installation instructions.
4. Use this water heater only for its intended use as described in this manual.
5. Do not use an extension cord set with this water heater. If no receptacle is available adjacent to the water heater, contact a qualified electrician to have one properly installed.
6. As with any appliance, close supervision is necessary when used by children.
7. Do not operate this water heater if it has a damaged cord or plug, if it is not working properly, or if it has been damaged or dropped.
8. This water heater should be serviced only by qualified service personnel. Contact the water heater installer or a qualified service agency for examination, repair, or adjustment.

SAVE THESE INSTRUCTIONS

FOR THE INSTALLER

DANGER

This manual must only be used by a qualified heating installer/service technician. Read all instructions in this manual before installing. Perform steps in the order given. Failure to comply could result in substantial property damage, severe personal injury, or death.

This water heater must be installed by qualified and licensed personnel. The installer should be guided by the instructions furnished with the water heater, and with local codes and utility company requirements.

INSTALLATIONS MUST COMPLY WITH:

Local, state, provincial, and national codes, laws, regulations and ordinances.

The latest version of the *National Electrical Code, NFPA No. 70*.

TABLE OF CONTENTS

PART 1 – GENERAL SAFETY INFORMATION	4
A. PRECAUTIONS	4
B. WHEN SERVICING THE WATER HEATING SYSTEM.....	4
C. HEATER WATER	5
D. INSTALLATIONS IN THE STATE OF CALIFORNIA	5
E. WATER CHEMISTRY	5
PART 2 – PREPARE THE WATER HEATER	5
A. WHAT'S IN THE BOX	5
B. SPECIFICATIONS AND PERFORMANCE RATINGS	6
C. LOCATING THE WATER HEATER	7
PART 3 – HEATER PIPING	8
A. PLUMBING	8
B. THERMAL EXPANSION.....	8
C. CONDENSATION	9
D. INSULATION BLANKETS.....	9
E. TEMPERATURE AND PRESSURE RELIEF VALVE.....	9
F. FILLING THE HEATER	10
G. SCALDING	10
H. INSTALLATION DIAGRAMS	11
PART 4 – HEATER WIRING	12
PART 5 – INSTALLATION CHECKLIST	13
PART 6 – OPERATING THE HEATER	14
A. COMBINATION THERMOSTAT AND HIGH LIMIT CONTROL (ECO)	14
B. THERMOSTAT ADJUSTMENT AND ECO RESET	14
C. HEATING ELEMENT REPLACEMENT PROCEDURE	15
PART 7 – MAINTENANCE	16
PART 8 – TROUBLESHOOTING	18
SERVICE PARTS.....	19
NOTES.....	20

CUSTOMER INSTALLATION RECORD FORM	21
Residential Limited Warranty	22

PART 1 – GENERAL SAFETY INFORMATION

A. PRECAUTIONS

This water heater is approved for indoor installations only. Clearance to combustible materials: 0" top, bottom, sides and back. Heater must have room for service: 24" front, 6" from top of tank, and 6" sides are minimum recommended service clearances. (A combustible door or removable panel is acceptable front clearance.) This water heater has been approved for closet installation, and installation on combustible flooring. Do not install this water heater directly on carpeting.

WARNING

INSTALLER – Read all instructions in this manual before installing. Perform steps in the order given.

USER – This manual is for use only by a qualified heating installer/service technician. Have this water heater serviced/inspected by a qualified service technician annually.

FAILURE TO ADHERE TO THE GUIDELINES ON THIS PAGE AND HAVE THIS WATER HEATER SERVICED/INSPECTED ANNUALLY CAN RESULT IN SUBSTANTIAL PROPERTY DAMAGE, SEVERE PERSONAL INJURY, OR DEATH.

NOTE: When inquiring about service or troubleshooting, reference the model and serial numbers from the water heater rating label.

NOTE: If the heater is exposed to the following, do not operate until all corrective steps have been made by a qualified serviceman:

- FIRE
- DAMAGE
- WATER

Any claims for damage or shortage in shipment must be filed immediately against the transportation company by the consignee.

WARNING

DO NOT USE THIS WATER HEATER IF ANY PART HAS BEEN SUBMERGED IN WATER. Immediately call a qualified service technician. The water heater **MUST BE** replaced if it has been submerged. Attempting to operate a water heater that has been submerged could create numerous harmful conditions, such as a potential gas leakage causing a fire and/or explosion, or the release of mold, bacteria, or other harmful particulates into the air. Operating a previously submerged water heater could result in property damage, severe personal injury, or death.

NOTE: Water heater damage due to flood or submersion is considered an Act of God, and IS NOT covered under product warranty.

WARNING

Be sure to disconnect electrical power before performing service. Failure to do so could result in an electrical shock, property damage, serious personal injury, or death.

CAUTION

This water heater is not designed or intended for use in space heating applications. Failure of a water heater due to unapproved use IS NOT covered by the warranty.

CAUTION

High heat sources (sources generating heat 100°F / 37°C or greater, such as stove pipes, space heaters, etc.) may damage plastic components of the water heater as well as plastic vent pipe materials. Such damages ARE NOT covered by warranty. It is recommended to keep a minimum clearance of 8" from high heat sources. Observe heat source manufacturer instructions, as well as local, state, provincial, and national codes, laws, regulations and ordinances when installing this water heater and related components near high heat sources.

B. WHEN SERVICING THE WATER HEATING SYSTEM

- To avoid electric shock, disconnect electrical supply before performing maintenance.
- To avoid severe burns, allow heater to cool before servicing.

C. HEATER WATER

- Do not use petroleum-based cleaning or sealing compounds in a water heating system. Gaskets and seals in the system may be damaged. This can result in substantial property damage.
- Do not use “homemade cures” or “heater patent medicines”. Damage to heater, substantial property damage, and/or serious personal injury may result.

D. INSTALLATIONS IN THE STATE OF CALIFORNIA**⚠ CAUTION**

California Law requires that residential water heaters must be braced, anchored, or strapped to resist falling or horizontal displacement due to earthquake motions. For residential water heaters up to 52 gallon capacity, a brochure with generic earthquake bracing instructions can be obtained from: Office of the State Architect, 400 P Street, Sacramento, CA 95814, or you may call 916-324-5315, or ask a water heater dealer.

However, applicable local codes shall govern installation. For residential water heaters of a capacity greater than 52 gallons, consult the local building jurisdiction for acceptable bracing procedures.

E. WATER CHEMISTRY

- Sodium less than 20mGL.
- Water pH between 6.0 and 8.0
 - Maintain water pH between 6.0 and 8.0. Check with litmus paper or have it chemically analyzed by water treatment company.
 - If the pH differs from above, consult local water treatment company for treatment needed.
- Hardness less than 12 grains
 - Consult local water treatment companies for unusually hard water areas (above 12 grains hardness).
- Chlorine concentration less than 100 ppm
 - Using chlorinated fresh water should be acceptable as levels are typically less than 5 ppm.
 - Do not connect the water heater to directly heat swimming pool or spa water.
 - Do not fill water heater or operate with water containing chlorine in excess of 100 ppm.

Hardness: 12 grains

Chloride levels: 100 ppm

pH levels: 6-8

TDS: 2000 ppm

Sodium: 20 mGL

CAUTION

Failure of electric elements due to lime scale build-up on the heating surface, low pH, or other imbalance IS NOT covered by the warranty.

PART 2 – PREPARE THE WATER HEATER**CAUTION**

UNCRATING HEATER – Any claims for damage or shortage in shipment must be filed immediately against the transportation company by the consignee. Remove all sides of the shipping crate to allow the heater to be moved into its installation location.

CAUTION

COLD WEATHER HANDLING – If the heater has been stored in a very cold location (BELOW 0°F) before installation, handle with care until the plastic components come to room temperature.

A. WHAT'S IN THE BOX

Also included with the water heater:

- Drain Valve
- Temperature and Pressure Relief Valve
- Installation Manual and Warranty

B. SPECIFICATIONS AND PERFORMANCE RATINGS

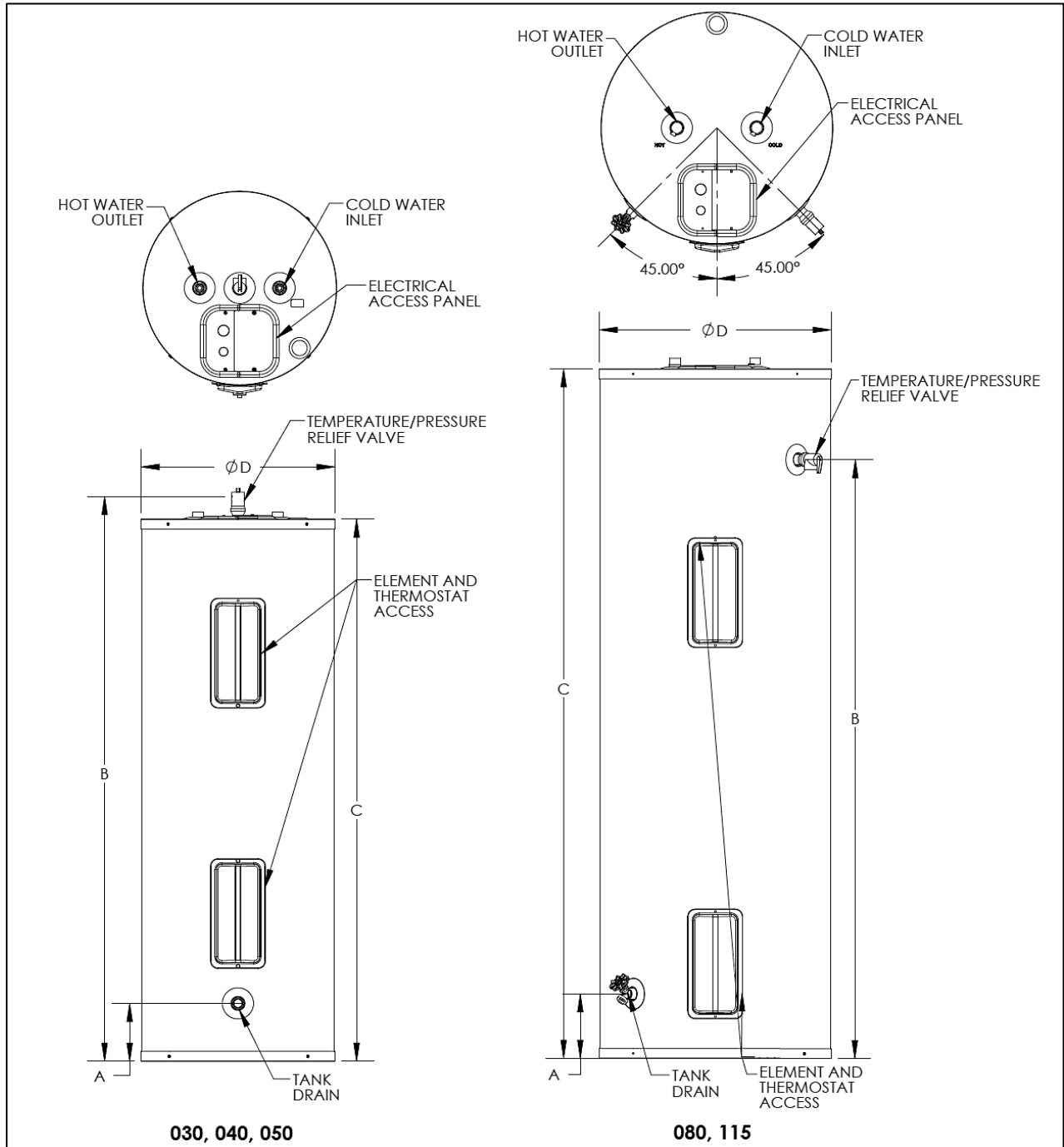


Figure 1 – Dimensions

SPECIFICATIONS AND DIMENSIONS								WATER TEMPERATURE RATINGS		
MODELS	STORAGE CAPACITY (GAL)	A	B	C	D	HOT / COLD WATER INLETS	SHIPPING WEIGHT (LBS EST.)	MINIMUM DEL. TEMP.	MAXIMUM DEL. TEMP.*	HIGH TEMP. LIMIT*
WER040	40	5 ¾"	56 ½"	54 ¼"	19 ½"	¾" NPT	104	110°F (43.3 C)	150°F* (65.5 C)	170°F* (76.6 C)
WER050	50		66 ¾"	66 ¾"			118			
WER080	80	6 ½"	60"	69"	23 ¼"		151			
WER100	100	7 ¼"	52"	61"	27"		206			
WER115	115	7 ¼"	60 ¼"	70 ½"	27"		224			

Table 1 – Specifications and Dimensions – See Table 2 for a Listing of Available Elements

NOTE: *A Suffix of "U" Denotes "Utility" Model with Maximum Delivered Temperature 170°F with 190°F High Limit Thermostat

ELEMENT KIT PART #	# ELEMENTS AND THERMOSTATS	AVAILABLE WATTAGE	VOLTAGE	FULL LOAD CURRENT IN AMPS
				Single Phase
C2X030	2	3,000	240	13
C2X045		4,500		19

Table 2 – Listing of Elements and Corresponding Voltages / Wattages / Amperages

C. LOCATING THE WATER HEATER

CAUTION

Locate the water heater where any leakage from the relief valve, related piping, tank, or connections will not result in damage to surrounding areas or lower floors of the building. The water heater should be located near a floor drain, or installed in a drain pan. Westinghouse WILL NOT be held liable for leakage damages.

WARNING

Incorrect ambient conditions can lead to damage to the heating system and put safe operation at risk. Ensure that the installation location adheres to the information included in this manual. Failure to do so could result in property damage, serious personal injury, or death.

CAUTION

Failure of water heater or components due to incorrect operating conditions IS NOT covered by product warranty.

1. Installation Area (Mechanical Room) Operating Conditions

- Ensure ambient temperatures are higher than 32°F/0°C and lower than 104°F/40°C.
- Avoid continuously high levels of humidity
- Never close existing ventilation openings

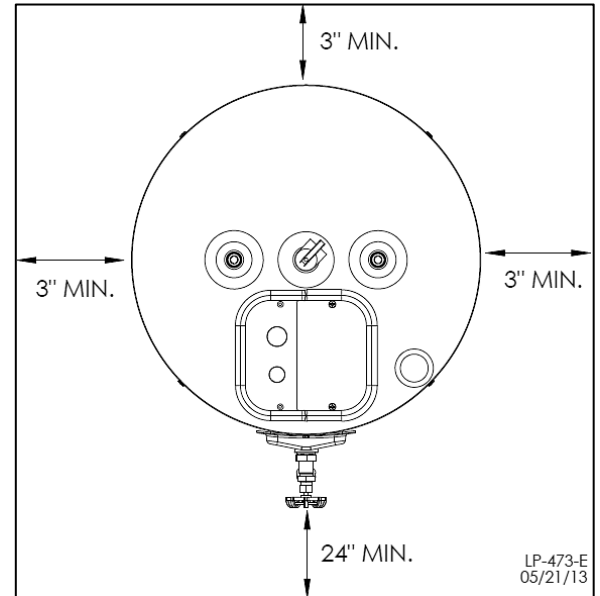


Figure 2 – Recommended Clearances

CAUTION

The service life of the water heater's exposed metallic surfaces, such as the junction box, is directly influenced by proximity to damp and salty marine environments. In such areas, higher concentration levels of chlorides from sea spray coupled with relative humidity can lead to degradation of water heater components.

WARNING

This water heater is certified for indoor installations only. Do not install the water heater outdoors. Outdoor installations ARE NOT covered by warranty. Failure to install this water heater indoors could result in substantial property damage, severe personal injury, or death.

2. Check for nearby connections to:

- System water piping
- Electrical power

Choose a location for the water heater as centralized to the piping system as possible.

3. Check area around water heater. Remove any combustible materials, gasoline, and other flammable liquids.

DANGER

This water heater must not be located near flammable liquids such as gasoline, butane, liquefied propane, adhesives, solvents, paint thinners, etc., as the controls of this water heater could ignite these vapors and cause an explosion, resulting in property damage, severe personal injury, or death.

4. If the water heater is to replace an existing water heater, check for and correct any existing system problems, such as:

- System leaks
- Location that could cause the system and water heater to freeze and leak.

- Incorrectly-sized expansion tank

5. All piping should be insulated. Additionally, place the water heater so that the drain, controls, and inlets/outlets are easily accessible.

If you do not provide the minimum clearances shown, it might not be possible to service the heater without removing it from the space.

NOTE: When installing in a zero clearance location, it may not be possible to read or view some product labeling. It is recommended to make note of the water heater model and serial number.

6. This water heater must be installed vertical on a level surface.

PART 3 – HEATER PIPING

A. PLUMBING

It is mandatory that all plumbing be done in accordance with federal, local, and state plumbing codes and practices. Failure to properly install the water heater WILL VOID the warranty. It is also necessary to use both thread tape and pipe dope on all mechanical plumbing connections.

Use unions on the hot and cold water connections, so that the heater may be easily disconnected for servicing when necessary.

CAUTION

Dielectric unions or galvanized steel fittings must not be used in a system with this water heater. Doing so WILL VOID the warranty. Use only copper, brass, or stainless steel fittings. Teflon thread sealant must be used on all connections.

NOTE: It is recommended to install a shut-off valve in the cold water line.

1. Connect cold water line to the connection marked “COLD” on the top of the water heater.

CAUTION

Do not apply heat to the Hot or Cold water heater connections. If sweat connections are used, sweat tubing to the adapter before fitting adapter to the water connections on the heater. Any heat applied to the water heater connections will permanently damage the dip tube and/or heat traps. Damages due to improper installation practices ARE NOT covered by warranty.

2. Connect hot water line to the connection marked “HOT” on the top of the heater.

3. An opening is provided near the top of the heater for installation of a Temperature and Pressure Relief Valve (T&P Valve).

4. Install drain valve in the opening provided near the bottom of the heater.

B. THERMAL EXPANSION

A check valve may be installed in the cold water inlet line as a separate backflow preventer, or may be part of a pressure reducing valve, water meter, or water softener. An “**open water system**” refers to a system without a check valve. A “**closed water system**” refers to a system with a check valve installed in the cold water inlet line.

As water is heated, it expands in volume and increases pressure within the water system. This action is referred to as “**thermal expansion**”. In an open water system, expanding water which exceeds the capacity of the system flows back into the city main where pressure is easily dissipated.

A closed water system prevents expanding water from flowing back into the city main. The resulting thermal expansion can rapidly increase pressure in the water heater and system piping. This rapid pressure increase can exceed the safety setting of the relief valve, causing it to operate during each heating cycle. This rapid and repeated expansion and contraction of components in the system can cause premature failure of system components, including the relief valve and possibly the water heater. Replacing the relief valve **will not** correct thermal expansion.

A potable hot water expansion tank is required to offset thermal expansion. Expansion tanks are designed with an air cushion built in that compresses as system pressure increases, thereby relieving the overpressure condition and eliminating repeated operation of the relief valve. This expansion tank should be installed in the cold water line between the water heater and the check valve, and must be sized for the entire water volume of the hot water system. See Figure 3.

Other methods of controlling thermal expansion are available. **Check with the local water utility to determine if a check valve exists in the cold water inlet line.** Contact your installing contractor, water supplier, or plumbing inspector for additional information regarding thermal expansion.

C. CONDENSATION

Condensation can form on the water heater when it is first filled with water, and may also occur with a heavy water draw and very cold inlet water temperature. This condition is not unusual and will disappear as the water becomes heated. However, if the condensation should continue, examine the piping and fittings for possible leaks.

D. INSULATION BLANKETS

Insulation blankets for external use on electric water heaters are not necessary with this water heater. An insulation blanket is meant to reduce the standby heat loss encountered with storage tank heaters. This water heater meets or exceeds National Appliance Energy Conservation Act standards with respect to insulation and energy factor requirements, thus making an insulation blanket unnecessary.

The manufacturer's warranty does not cover any damage or defect caused by installation, attachment, or use of any type of energy saving or other unapproved devices (other than those authorized by the manufacturer) into, onto, or in conjunction with the water heater. The use of unauthorized energy saving devices may shorten the life of the water heater and endanger life and property. The manufacturer disclaims any responsibility for any losses or injuries resulting from the use of such unauthorized devices.

WARNING

If local codes require external application of insulation blanket kits the manufacturer's instructions included with the kit must be carefully followed.

In addition, pay careful attention to the following so as not to restrict the proper function and operation of the water heater:

- Do not cover the operating or warning labels attached to the water heater or attempt to relocate them on the exterior of the insulation blanket.
- Do not apply insulation to the top of the water heater. This could interfere with the safe operation of the electrical junction box.
- Do not cover the jacket access panel(s) to the thermostat(s) and heating element(s), or temperature and pressure relief valve.
- Inspect the insulation blanket frequently.

Failure to follow these instructions could result in substantial property damage, severe personal injury, or death.

E. TEMPERATURE AND PRESSURE RELIEF VALVE

NOTE: For protection against excessive pressures and temperatures in this water heater, install temperature and pressure protective equipment as required by local codes, but not less than a combination T&P valve meeting the requirements for *Relief Valves and Automatic Gas Shutoff Devices for Hot Water Supply Systems, ANSI Z21.22B / CSA 4.4-M99*, by a nationally recognized testing laboratory that maintains periodic inspection of production of listed equipment and materials. This valve must be marked with a maximum set pressure not to exceed the marked maximum working pressure of the water heater. Install the T&P valve into the opening provided and marked for this purpose on the water heater so that discharge water from the valve will not come in contact with any live electrical parts.

WARNING

To avoid water damage or scalding due to relief valve operation:

- Discharge line must be connected to relief valve outlet and run to a safe place of disposal. Terminate the discharge line in a manner that will prevent possibility of severe burns or property damage should the relief valve discharge.
- Discharge line must be as short as possible and the same size as the valve discharge connection throughout its entire length.
- Discharge line must pitch downward from the valve and terminate at least 6" above the floor drain, making discharge clearly visible.
- The discharge line shall terminate plain, not threaded, with a material serviceable for temperatures of 375°F or greater.
- Do not pipe discharge to any location where freezing could occur.
- No shutoff valve may be installed between the relief valve and heater or in the discharge line. Do not plug or place any obstruction in the discharge line.
- Test the operation of the relief valve after filling and pressurizing the system by lifting the lever. Make sure the valve discharges freely. If the valve fails to operate correctly, immediately replace with a new properly rated relief valve.
- Test T&P valve at least once annually to ensure the waterway is clear. If valve does not operate, turn the heater "off" **and call a plumber immediately.**
- Take care whenever operating relief valve to avoid scalding injury or property damage.

FAILURE TO COMPLY WITH THE ABOVE GUIDELINES COULD RESULT IN FAILURE OF RELIEF VALVE OPERATION, RESULTING IN POSSIBILITY OF SUBSTANTIAL PROPERTY DAMAGE, SEVERE PERSONAL INJURY, OR DEATH.

⚠ WARNING

Do not thread a cap or plug into the relief valve under any circumstances! Explosion and property damage, serious injury, or death may result.

F. FILLING THE HEATER

CAUTION

When filling the water heater, open a hot water tap to release air in the tank and piping. The tank must be full of water before the heater is turned on. Failure to ensure the water heater is full before turning it on will result in damage to the water heater, and could result in property damage. Such damages ARE NOT covered by water heater warranty.

- Make certain that the field installed drain valve is completely closed.
- Open the shut-off valve in the cold water supply line.
- Open the hot water faucets to allow air to vent from the heater and piping.
- Allow sufficient time for the heater to completely fill with water.
- Verify elements are installed correctly. Check for leaks.

G. SCALDING

APPROXIMATE TIME / TEMPERATURE RELATIONSHIPS IN SCALDS	
120°F	More than 5 minutes
125°F	1 ½ to 2 minutes
130°F	About 30 seconds
135°F	About 10 seconds
140°F	Less than 5 seconds
145°F	Less than 3 seconds
150°F	About 1 ½ seconds
155°F	About 1 second


Table 3

This heater can deliver scalding water. Be careful whenever using hot water to avoid scalding injury. Certain appliances, such as dishwashers and automatic clothes washers may require increased water temperature. By setting the thermostat on this heater to obtain the increased water temperature required by these appliances, you may create the potential for scald injury.

To protect against injury, you should install a mixing valve in the water system. This valve will reduce point of discharge temperature by mixing cold and hot water in branch supply lines. Such valves are available from your local plumbing supplier.

Table 3 details the relationship of water temperature and time with regard to scald injury and may be used as a guide in determining the safest water temperature for your applications.

⚠ DANGER



Water temperature over 125°F can cause severe burns instantly or death from scalds. Children, disabled and elderly are at highest risk of being scalded. See instruction manual before setting temperature at water heater. Feel water before bathing or showering. Temperature limiting valves are available, see manual.

⚠ WARNING

A temperature limiting or mixing valve is recommended in installations servicing disabled or elderly persons, or children. Take extreme caution to avoid scalding when temperature limiting or mixing valves are not used.

H. INSTALLATION DIAGRAMS

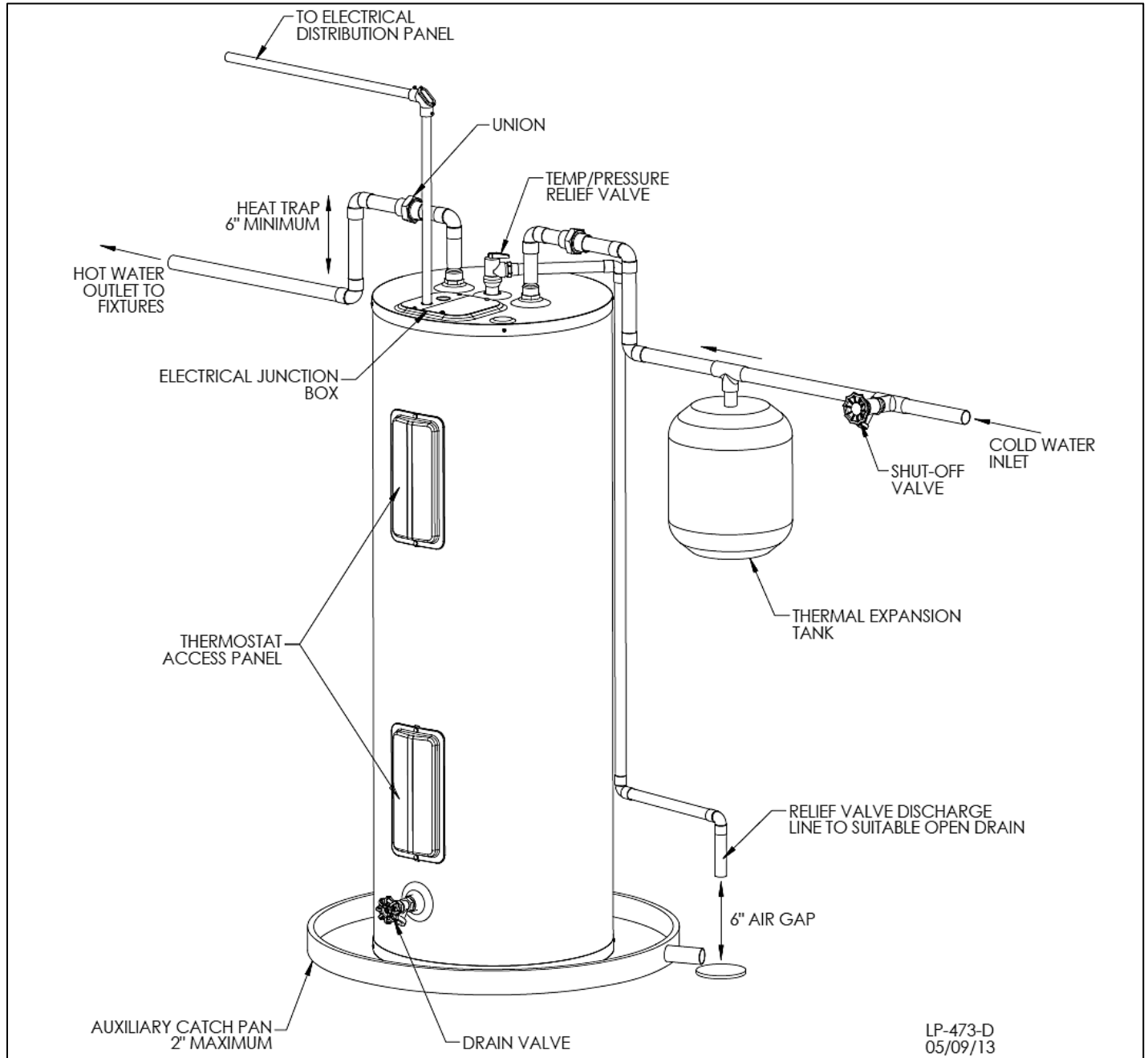


Figure 3 – EVR040 and EVR050 Piping Detail - NOTE: Drawing is meant only to demonstrate system piping concept. The installer is responsible for all equipment and detailing required by local codes.

NOTE: Heat traps are optional.

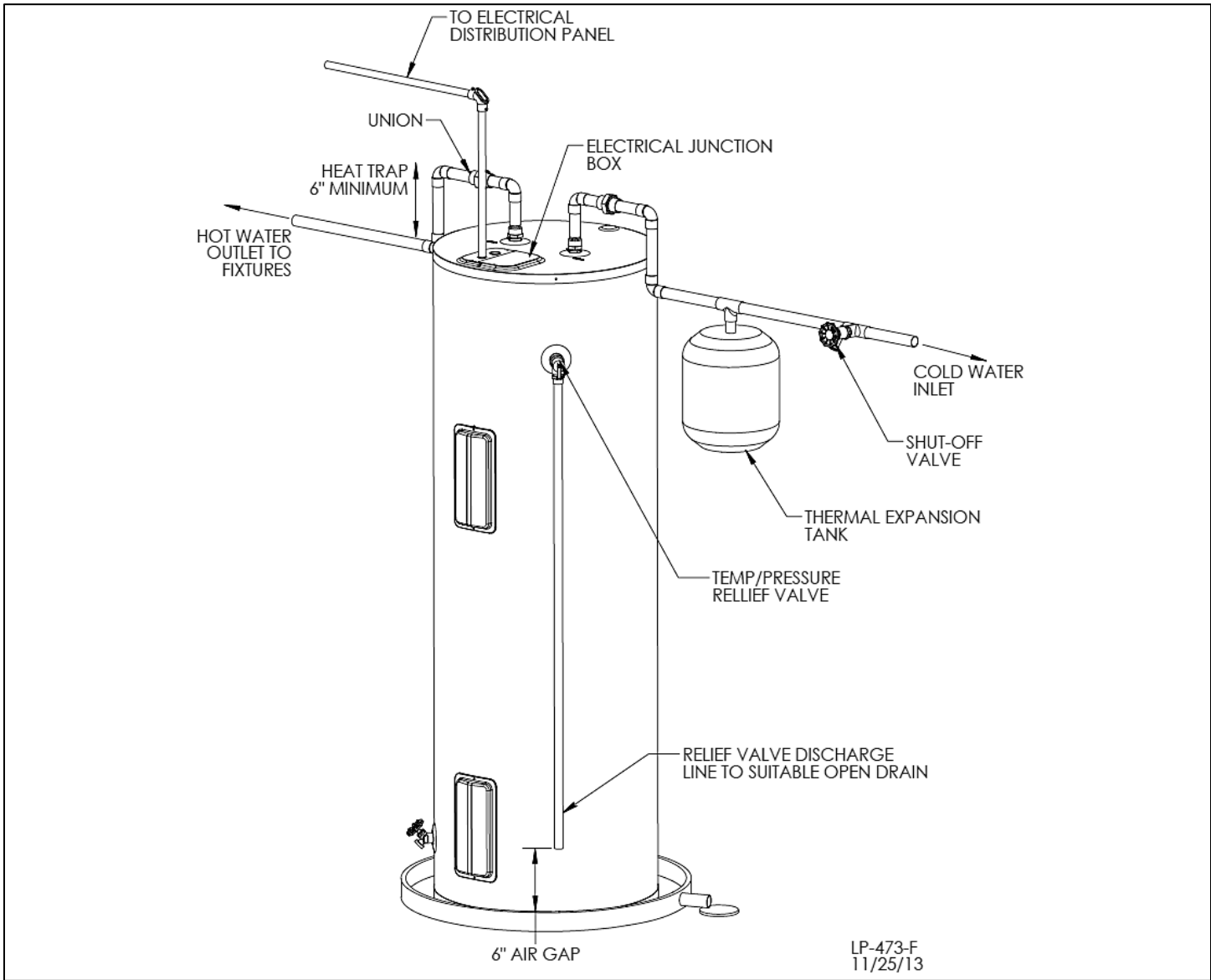


Figure 4 – EVR080, EVR100, and EVR115 Piping Detail - NOTE: Drawing is meant only to demonstrate system piping concept. The installer is responsible for all equipment and detailing required by local codes.

NOTE: Heat traps are optional.

PART 4 – HEATER WIRING

CAUTION

Tank must be full of water before power is turned on. Heating elements will be damaged if energized for even a short time while tank is dry. Failures due to “dry-firing” are NOT covered by warranty.

This unit is factory wired to a junction box on top of the water heater. These heaters are equipped and wired for the maximum possible input allowable (see Table 2 for listing of inputs and amperage requirements). The voltage requirement and dedicated wattage load for the heater is specified on the rating label of the water heater. Consult your local power company to determine if your electrical service is adequate for the additional load of the heater.

Refer to the wiring diagrams below for field connections. All wiring must conform to local code and the National Electric Code, and should be done by a qualified licensed electrician or the local electric utility. Grounding can be accomplished by using approved conduit and fittings or other approved conductive material. A grounding wire is provided on the junction bracket. This grounding wire must be used in the installation.

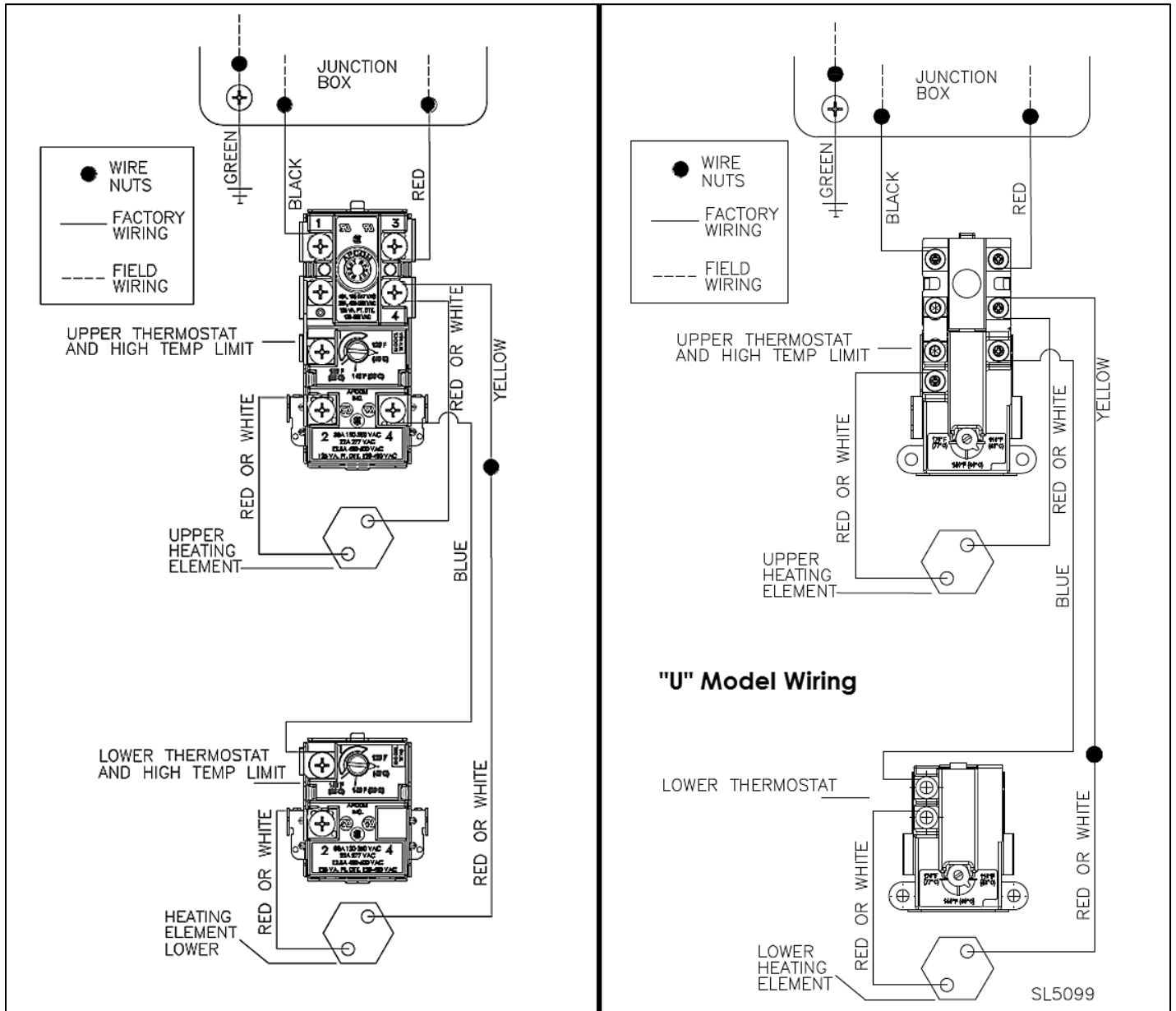


Figure 5 - Wiring Detail

⚠ WARNING

Be sure to ground the water heater. The preferred way to ground is with rigid metal conduit between the main panel and the water heater junction box with approved end fittings (check codes on the use of flexible conduit). If making a separate ground, a green ground wire is provided in the water heater junction box. Replace the junction box cover and insulation after you have made the wiring connections.

PART 5 – INSTALLATION CHECKLIST

WATER HEATER LOCATION	YES	NO
Close to area of heated water demand		
Indoors and protected from freezing temperatures		
Area free of flammable vapors		
Provisions made to protect area from water damage		
Sufficient room to service heater		
WATER SUPPLY	YES	NO
Water heater completely filled with water BEFORE operating the unit		
Air purged from water heater and piping		
Water connections tight and free of leaks		

RELIEF VALVE	YES	NO
Temperature and Pressure Relief Valve properly installed and discharge line run to open drain		
Discharge line protected from freezing		
WIRING	YES	NO
Power supply voltage agrees with water heater rating plate		
Branch circuit wire and fusing or circuit breaker of proper size		
Electrical connections tight and unit properly grounded		

Table 4 – Installation Checklist

PART 6 – OPERATING THE HEATER

CAUTION

Tank must be full of water before power is turned on. Heating elements will be damaged if energized for even a short time while tank is dry. Failures due to “dry-firing” are NOT covered by warranty.

After water and electrical connections have been made and tank is filled with water, turn on power to heater. The heater is now in operation.

A. COMBINATION THERMOSTAT AND HIGH LIMIT CONTROL (ECO)

This heater is equipped with a combination Thermostat – High Limit Control (ECO), which is located above the heating element (above the upper element on dual element heaters). If for any reason the water temperature becomes excessively high, the ECO breaks the circuit to the heating element. Once the switch opens, it must be reset manually. However, THE CAUSE OF THE OVER TEMPERATURE CONDITION MUST BE CORRECTED FIRST.

WARNING

The cause of the high temperature condition must be investigated by a qualified service technician and corrective action must be taken BEFORE placing the water heater back in service. Failure to do so could result in property damage, severe personal injury, or death.

B. THERMOSTAT ADJUSTMENT AND ECO RESET

There are two thermostats on dual element heaters. If temperature adjustment is necessary, TURN OFF POWER TO HEATER, remove black access cover and insulation. The thermostat protective cover should NOT be removed. Set temperature indicator to desired temperature. Replace insulation and the black access cover. Turn on power to the heater. See below for Thermostat adjustment/ECO reset.

IF YOU NEED TO ADJUST THERMOSTAT(S) OR RESET THE ECO (RED RESET BUTTON):

DANGER

Failure to disconnect power from water heater before attempting to adjust or reset the thermostat(s) will result in property damage, severe personal injury, or death due to electric shock.

STEP #1 – Turn off power to the water heater by removing fuse or shutting off at circuit breaker.

STEP #2 – Remove the two screws that hold the access cover in place. Remove the cover.

STEP #3 – Remove the insulation to expose the thermostat.

STEP #4

- a. Reset the ECO by pushing in the red button marked “RESET”.
- b. Adjust water temperature by turning the white adjustment knob. Turning the knob to the right (clockwise) makes the water hotter. Turning the knob to the left (counterclockwise) makes the water cooler.

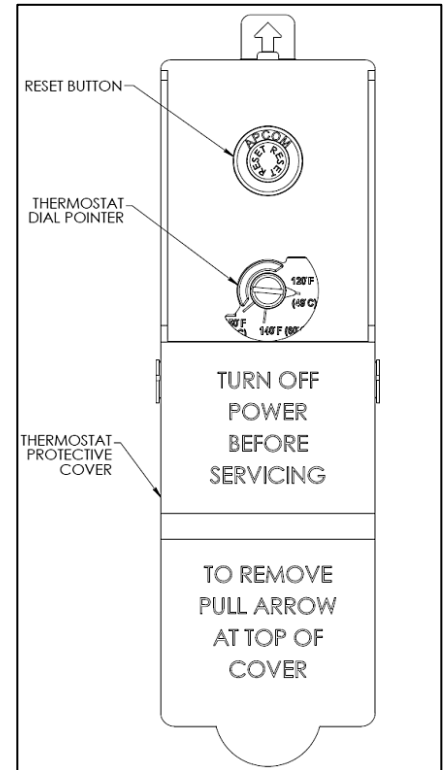
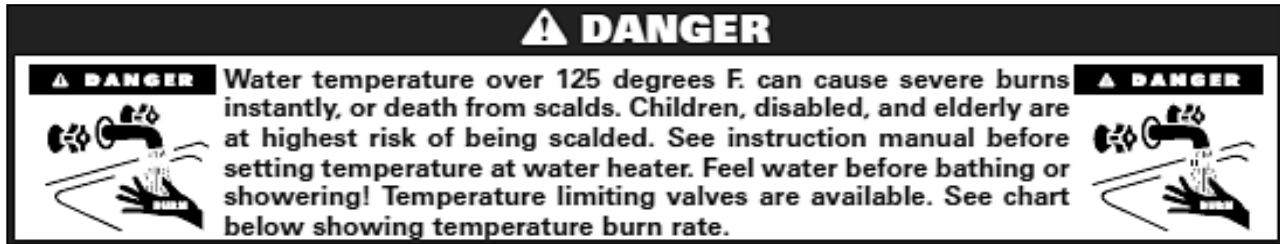


Figure 6 – Detail of Steps 2 - 4

WARNING

Risk of scald injury increases as you increase water temperature.



STEP #5 – Replace the insulation.

⚠ WARNING

Failure to replace insulation could result in property damage, severe personal injury, or death.

STEP #6 – Reattach the access cover with the two screws.

STEP #7 – Restore power by replacing the fuse or turning on the circuit breaker.

STEP #8

- a. After resetting the ECO, ensure the water heater is operating properly before leaving the installation.
- b. After adjusting the water temperature, allow the water heater enough time to heat the water to temperature. After the water heater has stopped heating, measure the water temperature at a hot water outlet in the structure.

STEP #9 – If the water heater is operating properly and the water temperature is satisfactory, adjustment is complete.

C. HEATING ELEMENT REPLACEMENT PROCEDURE

⚠ WARNING

If heating elements need replacement, it is very important to use the same voltage, wattage, and construction. The element sheath must be incoloy and the hex plug must be made of stainless steel.

STEP #1 – Turn off power to the water heater. Use a Phillips Head screwdriver to remove wires connecting the element to the thermostat.

⚠ DANGER

Failure to disconnect power from water heater before attempting heating element replacement will result in property damage, severe personal injury, or death due to electric shock.

STEP #2 – Run hot water at a faucet in the system. When it runs cold, shut off the faucet. Then shut off water at the main cold water inlet, or, if possible, valve off the water heater from the system. Drain the water from the system, or just the water heater if you can isolate it from the system.

⚠ WARNING

Completely drain the water heater before removing and replacing a heating element or elements. Failure to do so will result in a leakage of water and property damage, and could possibly result in moderate to severe personal injury or death.

Water drained from the water heater may be scalding hot. Take care to avoid scalding. Wear gloves and safety glasses, and direct water to a safe drainage location. Failure to comply with this warning could result in substantial property damage, severe personal injury, or death due to scalds.

CAUTION

DO NOT replace heating element with a generic heating element. Only Westinghouse heating elements are approved for use with this water heater. Failure to follow this warning will result in premature product failure and VOID the warranty.

STEP #3 – Remove the element with a 1 ½” socket wrench or element tool.

STEP #4 – Ensure thread and opening are completely free of debris.

STEP #5 – Put a small amount of NSF approved lubricant and sealant on the O-Ring.

STEP #6 – Screw the element clockwise into tank, and tighten with the 1 ½” socket wrench or element tool. Be sure O-ring seats properly.

NOTE: REPEAT STEPS 3 – 6 AS NECESSARY FOR MULTIPLE ELEMENTS

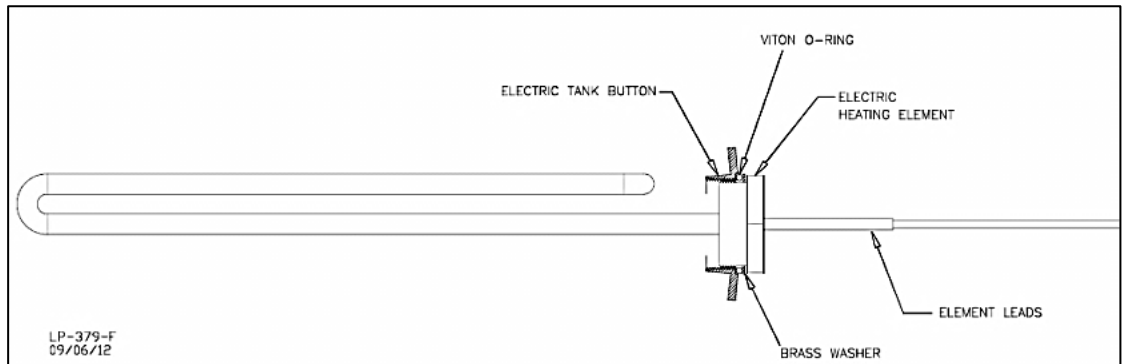


Figure 7 – Heating Element Detail

STEP #6 – Open the main cold water inlet. If the water heater has been isolated from the system, open the valves. Refill the tank with cold water. Open a hot water faucet high in the system to bleed any air pressure from the system. Water will flow freely when air is completely bled.

⚠ WARNING

When filling the water heater, open a hot water tap to release air in the tank and piping. The tank must be full of water before the heater is turned on. Failure to ensure the water heater is full before turning it on will result in damage to the water heater, and could result in property damage, serious personal injury, or death. Such damages ARE NOT covered by water heater warranty.

STEP #7 – Pressure check the tank for leaks around element. If no leaks are found, connect wires from the element to the thermostat.

STEP #8 - Turn power back on to the water heater.

CAUTION

Failure to refill the tank before restoring power to the water heater will result in damage to the heating elements and property damage. Such damages ARE NOT covered by warranty.

PART 7 – MAINTENANCE

MAINTENANCE CONSIDERATIONS

- To avoid electric shock, disconnect electrical supply before performing maintenance.
- To avoid severe burns, allow heater to cool before performing maintenance.

NOTE: In addition to the routine maintenance detailed in this manual, this water heater should be inspected annually by a qualified service technician to assure that all the equipment is operating safely and efficiently. The owner should make necessary arrangements with a qualified heating contractor for periodic maintenance of the heater. Installer must also inform the owner that lack of proper care and maintenance may result in a hazardous condition, premature heater failure, and void the warranty.

Routine preventative maintenance ensures the water heater operates safely and efficiently over its service life. **The Owner/User** may perform the maintenance activities described below.

Monthly (Every two weeks in hard water locations)

It is recommended that a few quarts of water be drained from the heater. This will flush sediment deposits from the bottom of the heater and lengthen the heater's service life. Turn off power to the heater during flushing operation, so the elements will not be damaged.

CAUTION

Failure to shut off power to the heater when draining may damage the heating elements. Operating a partially filled/empty water heater could lead to damage from "dry-firing". Failures due to such damage are NOT covered by warranty.

To flush the tank, attach a hose to the field installed drain valve in the cold water supply line. Close supply line shut-off valve. Open drain line valve and hot water faucet(s) to vent heater while draining. Direct the flow of water to a drain or bucket where it will not cause damage.

WARNING

Water drained from the water heater may be scalding hot. Take care to avoid scalding. Wear gloves and safety glasses, and direct water to a safe drainage location. It is recommended to turn power off to the water heater and run the water at a hot faucet until it cools **BEFORE** draining water from the heater. Failure to comply with this warning could result in substantial property damage, severe personal injury, or death due to scalds.

After flushing until water runs clear, operation is complete. Close drain valve and reopen supply line shut-off valve. Make certain that heater is completely full of water before restoring power to the heater.

Periodically (At least twice a year)

Check around the water heater and related plumbing for leaks. If the combination temperature and pressure relief valve discharges periodically, or water is leaking from around the heating elements, there may be a problem with your water system. **DO NOT ATTEMPT TO REPAIR LEAKS YOURSELF!** Contact a qualified service contractor for assistance.

Check the area around the water heater for flammable liquids or combustible materials. If any are found, remove from the area.

Vacation (Extended Shut-Off Periods)

During extended mild or warm weather periods when hot water will not be in use, shut off the electric power to the tank. When hot water is needed again, restore power to the water heater.

During extended cold weather periods when hot water will not be in use and prone to freezing conditions, shut off electric power to the tank, close the supply line shut-off valve, open the drain valve and drain the water heater to a safe drainage location (as detailed previously). Once drained, close the drain valve. When hot water is needed again, restore the water supply to the tank. Once the tank is full, restore power.

WARNING

Water drained from the water heater may be scalding hot. Take care to avoid scalding. Wear gloves and safety glasses, and direct water to a safe drainage location. Failure to comply with this warning could result in substantial property damage, severe personal injury, or death due to scalds.

The maintenance activities described below are only to be performed during service by the **Installer/Qualified Service Provider**. These maintenance items should be performed during recommended **annual** service and any service calls.

1. Ask the owner / user if there have been any issues with the water heater. Diagnose any heater issues and repair / replace parts as necessary.
2. Check the water heater and related plumbing for leaks. Repair any that are found.
3. Check the area around the water heater for flammable liquids or combustible materials. If any are found, remove from the area.
4. Check the heating elements while the heater is in operation. If the elements are hissing / singing excessively, they may need to be cleaned. Inspect the elements and clean if necessary.
5. Inspect the Temperature and Pressure (T&P) Relief Valve. See instructions, following page.

WARNING

T&P Relief Valve Maintenance Instructions:

- **Annually:** Certain naturally occurring mineral deposits may adhere to the valve, blocking waterways and rendering the valve inoperative. The T&P Relief Valve lever must be operated to ensure the waterways are clear. If waterways are clear, hot water will discharge from the valve. Take precautions to avoid personal injury and property damage from contact with hot water. Before operating lever, check to see that a discharge line is connected to the valve, directing the flow of hot water from the valve to a proper place of disposal.
- Replacement of the valve is required if no water flows when the lever is operated. Turn the water heater off until the valve is replaced.
- If water flows from the relief valve, drain a few gallons from the tank to ensure water flows freely.
- **At least once every three years:** To ensure that the T&P relief valve has not been affected by corrosive water conditions and that the valve and discharge line have not been altered or tampered with illegally, relief valves should be inspected, and replaced, if necessary, by a licensed plumbing contractor or qualified service technician.

FAILURE TO COMPLY WITH THE ABOVE GUIDELINES COULD RESULT IN FAILURE OF RELIEF VALVE OPERATION, RESULTING IN POSSIBILITY OF SUBSTANTIAL PROPERTY DAMAGE, SEVERE PERSONAL INJURY, OR DEATH.

6. Turn power supply off to the water heater. Open the drain valve and drain a few gallons of water from the tank to clear the tank of any hard water deposits. Once complete, close the drain valve and restore power to the water heater.

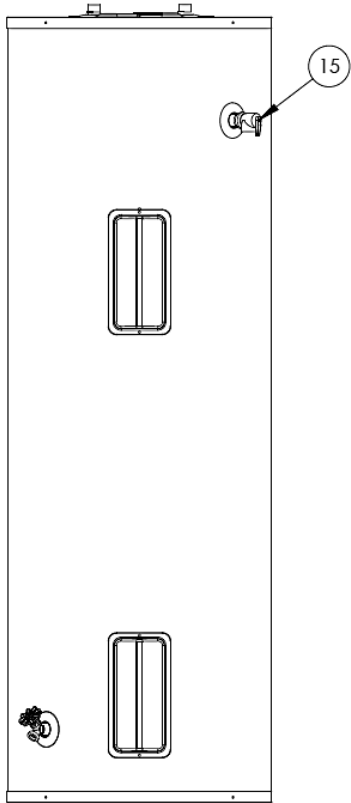
PART 8 – TROUBLESHOOTING

The following table details operating issues, possible causes, and service remedies.

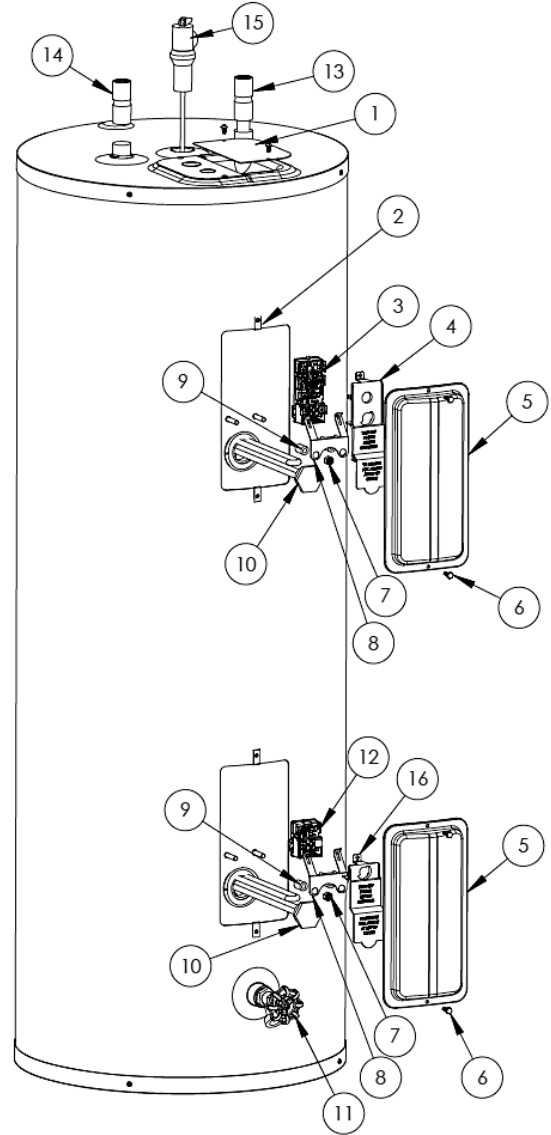
ISSUE	POSSIBLE CAUSE	SERVICE REMEDIES
No Hot Water	<ol style="list-style-type: none"> 1. Manual disconnect switch turned off 2. Improper Wiring 3. No Power – blown fuse or circuit breaker tripped <ol style="list-style-type: none"> a. Shorted wiring b. Circuit overloaded c. Improper wiring d. Grounded element or thermostat 4. Manual Reset High Limit Switch (ECO) open <ol style="list-style-type: none"> a. Thermostat(s) defective b. Thermostat out of calibration c. Heat build-up due to loose wires d. Defective High Limit Switch (ECO) 	<ol style="list-style-type: none"> 1. Turn switch ON 2. *Rewire per Fig. 5, Wiring Detail 3. Replace fuse or reset breaker <ol style="list-style-type: none"> a. *Replace or repair b. *Provide adequate circuit to reduce load c. *Rewire per diagram d. *Replace 4. Refer to Part 5, Sections A and B, this manual <ol style="list-style-type: none"> a. *Replace thermostat b. *Lower thermostat setting or replace c. *Tighten wire connections d. *Replace
Not enough Hot Water	<ol style="list-style-type: none"> 1. Heater undersized 2. Defective Element(s) 3. Miswired or defective thermostat causing only one element to work 	<ol style="list-style-type: none"> 1. Reduce rate of hot water use 2. *Check amperage, replace element if low 3. *Check wiring or replace
Water too hot or not hot enough	<ol style="list-style-type: none"> 1. Thermostat setting too high or low 2. Thermostat out of calibration 3. Thermostat access panel(s) and/or insulation not in place 4. Thermostat(s) not resting tightly against mounting plate 	<ol style="list-style-type: none"> 1. Change setting as required 2. *Replace 3. Inspect and replace as needed 4. Inspect and insure that retaining spring(s) or mounting screws hold thermostat(s) tightly to mounting plates
Noisy heating element(s)	Hard water scale built up on element(s)	*Remove and clean
Water leaks	<ol style="list-style-type: none"> 1. Loose connection between inlet/outlet piping, relief valve, or drain valve and hex nut union on tank fittings 2. Damaged seal ring washer 3. Gasket around heating element(s) 	<ol style="list-style-type: none"> 1. Tighten hex nut union fitting 2. Replace seal rings as required 3. Inspect and replace gasket if necessary
Leaking Temperature and Pressure Relief Valve	<ol style="list-style-type: none"> 1. Improperly seated valve 2. Thermal expansion in closed water system 3. Damaged/defective valve 	<ol style="list-style-type: none"> 1. Attempt to reseat valve by opening and closing handle 2. Install a thermal expansion tank 3. Replace relief valve <p>NOTE: DO NOT plug T&P valve under any circumstances</p>
Hot Water Odor	<ol style="list-style-type: none"> 1. High sulfate or mineral content in water supply. 2. Bacteria in water supply. 	<ol style="list-style-type: none"> 1. Drain and flush water heater. Refill 2. Check with local water treatment specialist or utility to identify and address this problem.

Table 5 – Troubleshooting – *NOTE: This maintenance should only be performed by a qualified service provider.

SERVICE PARTS



ABOVE T&P VALVE
LOCATION ON 80 GAL, 100 GAL.
AND 115 GAL ONLY



ITEM#	DESCRIPTION	REPLACEMENT PART #
1	JUNCTION BOX COVER (w/SCREWS)	6060P-983
2	8-32 CLIP-ON NUT	7450P-016
3	THERMOSTAT - UPPER	6060P-1008
	THERMOSTAT - UPPER ("U" MODEL)	6060P-001
4	THERMOSTAT PROTECTIVE COVER	6060P-994
5	ACCESS PANEL	6060P-187
6	SCREWS - ACCESS PANEL	6075P-006
7	NUTS	6060P-935
8	MOUNTING CLIP	6060P-633
9	SPACER	6060P-979
10	ELECTRIC ELEMENT - 4500W	6060P-938
	ELECTRIC ELEMENT - 3000W	6060P-939
11	DRAIN VALVE	7100P-278
12	THERMOSTAT - LOWER	6060P-1009
	THERMOSTAT - LOWER ("U" MODEL)	6060P-002
13	DIP TUBE - 40 Gal.	6060P-1001
	DIP TUBE - 50/100 Gal.	6060P-1002
	DIP TUBE - 80/115 Gal.	6060P-1017
14	NIPPLE/HEAT TRAP	6060P-1003
15	TEMP/PRESSURE RELIEF VALVE - 40/50 Gal.	TP1900
	TEMP/PRESSURE RELIEF VALVE - 80/100/115 Gal.	TP1500
16	THERMOSTAT PROTECTIVE COVER	6060P-952

WHL-003-B
07/16/14

Figure 8 – Replacement Parts

CUSTOMER INSTALLATION RECORD FORM

The following form should be completed by the installer for you to keep as a record of the installation in case of a warranty claim. After reading the important notes at the bottom of the page, please also sign this document.

Customer's Name:	
Installation Address:	
Date of Installation:	
Installer's Code/Name:	
Product Serial Number(s):	
Comments:	
Installer's Phone Number:	
Signed by Installer:	
Signed by Customer:	

IMPORTANT:

Customer: Please only sign after the installer has reviewed the installation, safety, proper operation, and maintenance of the system. In the case that the system has any problems, please call the installer. If you are unable to make contact, please contact your Sales Representative.

Distributor/Dealer: Please insert contact details.

Electric Residential Water Heater

Limited Warranty

Westinghouse warrants each residential stainless steel electric water heater to be free from defects in materials and workmanship according to the following terms, conditions, and time periods. The number of replacement water heaters is limited to one (1) per original unit purchased. Replacement parts will be warranted for 90 days. **UNLESS OTHERWISE NOTED THESE WARRANTIES COMMENCE ON THE DATE OF INSTALLATION.** This limited warranty is only available to the **original owner** of the water heater, and is non-transferable.

WARRANTY PERIODS

Category	Typical Application		Parts	Tank
	Extended Residential Use Warranty			
Residential, a single family dwelling, with operating temperatures not exceeding 140°F	The unit is installed in a home owned and resided in by the original purchaser;		Six (6) Years	Lifetime
	The unit is installed in a residential rental property and services a single dwelling in which the original purchaser resides on a permanent basis;			
	And water heater is registered online at westinghousewaterheating.com within 90 days of the installation date.			
Category	Standard Residential Use Warranty		Parts	Tank
Residential, a single family dwelling, with operating temperatures not exceeding 140°F	The water heater is installed as described above but not registered online within 90 days of the installation date.		One (1) Year	Ten (10) Years
Category	Extended Commercial Use Warranty		Parts	Tank
Commercial	Any application not meeting the definitions of "Residential Use";		One (1) Year	Ten (10) Years
	And water heater is registered online at westinghousewaterheating.com within 90 days of the installation date.			
Category	Standard Commercial Use Warranty		Parts	Tank
Commercial	The water heater is installed as described above but not registered online within 90 days of the installation date.		One (1) Year	Five (5) Years

COVERAGE

- A. During the first year after the original date of installation in the dwelling, Westinghouse warrants that it will repair or replace, at its option, any defective or malfunctioning component of the stainless steel electric water heater with a component of equivalent size and current model. Replacement components will be warranted for ninety (90) days. It is expressly agreed between Westinghouse and the original consumer purchaser that repair or replacement are the exclusive remedies of the original consumer purchaser.
- B. Should a defect or malfunction result in a leakage of water within the above-stated warranty periods due to defective material or workmanship, malfunction, or failure to comply with the above warranty, Westinghouse will replace the defective or malfunctioning water heater with a replacement of the nearest comparable model available at the time of replacement. The number of replacement water heaters is limited to one (1) per original unit purchased.
- C. If Westinghouse is unable to repair or replace the water heater so as to conform to this warranty after a reasonable number of attempts, Westinghouse will then provide, at its option, a replacement unit. These remedies are the purchaser's exclusive remedies for breach of warranty.
- D. If government regulations, industry certification, or similar standards require the replacement water heater or part(s) to have features not found in the defective water heater or part(s), the owner will be charged the difference in price represented by those required features. If the owner pays the price difference for those required features and/or to upgrade the size and/or other features available on a new replacement water heater or part(s), the owner will also receive a complete new limited warranty for that replacement water heater or part(s).
- E. If at the time of a request for service the owner cannot provide a copy of the original sales receipt or extended warranty registration, the warranty period for the water heater shall then be deemed to have started on the date of manufacture of the water heater and **NOT** the date of installation of the water heater, and be covered by the unexpired portion of the Standard Limited Residential or Commercial Warranty detailed above.
- F. This warranty extends only to water heaters utilized in heating applications that have been properly installed by qualified professionals based upon the manufacturer's installation instructions.

OWNER RESPONSIBILITIES

To avoid the exclusion list in this warranty, the owner or installer must:

1. Have a vacuum relief valve and temperature and pressure relief valve bearing the listing marks of the American Society of Mechanical Engineers (ASME) installed with the water heater assembly in accordance with federal, state, and local codes.
2. Operate the water heater assembly at water pressures not exceeding the working pressure shown on the rating plate.
3. Keep the water heater free of damaging scale deposits.
4. Use the water heater in an open system, or in a closed system with a properly sized and installed thermal expansion tank.
5. Make provisions so if the water heater or any component part or connection thereto should leak, the resulting flow of water will not cause damage to the area in which it is installed.

WARRANTY EXCLUSIONS

This limited warranty will not cover:

1. Any water heater purchased from an unauthorized dealer.
2. Any water heater not installed by a qualified heating installer/service technician.
3. Service trips to teach you how to install, use, maintain, or to bring the water heater installation into compliance with local building codes and regulations.
4. Failure to locate the water heater in an area where leakage of the tank or water line connections and the combination temperature and relief valve will not result in damage to the area adjacent to the water heater or lower floors of the structure.
5. Any failed components of the heat system not manufactured by Westinghouse as part of the water heater.
6. Water heaters repaired or altered without the prior written approval of Westinghouse.
7. Damages, malfunctions, or failures resulting from failure to install the water heater in accordance with applicable building codes/ordinances or good plumbing and electrical trade practices.
8. Damages, malfunctions, or failures resulting from improper installation, failure to operate the water heater at pressures not exceeding the working pressure shown on the rating plate, or failure to operate and maintain the water heater in accordance with the manufacturer's provided instructions.

9. Damages, malfunctions, or failures caused by operating the water heater with modified, altered, or unapproved parts.
10. Failure to operate the water heater in an open system, or in a closed system with a properly sized and installed thermal expansion tank.
11. Failure or performance problems caused by improper sizing of the water heater, expansion device, or piping.
12. Damages, malfunctions, or failures caused by abuse, accident, fire, flood, freeze, lightning, acts of God and the like.
13. Failures (leaks) caused by operating the water heater in a corrosive or contaminated atmosphere.
14. Failure of the water heater due to the accumulation of solid materials, lime deposits, water quality contrary to the manufacturer's provided instructions. WATER CHEMISTRY REQUIREMENTS – Sodium less than 20mg/L. Water pH between 6.0 and 8.0. Hardness less than 12 grains. Chlorine concentration less than 100 ppm.
15. Any damages, malfunctions, or failures resulting from the use of dielectric unions.
16. Production of noise, taste, odors, discoloration, or rusty water.
17. Damages, malfunctions, or failures caused by subjecting the tank to pressures greater than those on the rating label.
18. Water heaters moved from the original installation location.
19. Water heaters that have had their rating labels removed.
20. Water heaters replaced for cosmetic reasons.
21. Water heaters installed outside the fifty states (and the District of Columbia) of the United States of America and Canada.

ONLINE EXTENDED LIMITED WARRANTY REGISTRATION

To register for the Extended Limited Warranty, complete the form located on westinghousewaterheating.com within 90 days of installation. The form must be completed in full with owner name, email address, and phone number, the address where the unit is installed and installation date, and unit model and serial numbers. Proof of purchase is required, and may be an invoice for the product, or a bill from an installing contractor that clearly documents the installation of the unit. To be valid, proof of purchase must also include the unit serial number. Proof of purchase may be typed or hand written. Submit the proof of purchase to Westinghouse via the directions provided on the website.

PROCEDURES FOR WARRANTY SERVICE REQUESTS

Any claim for warranty assistance must be made promptly. Determine if the water heater is "in-warranty" (that is, within the applicable warranty period) by reviewing a copy of the original sales receipt. You must present a copy of the original sales receipt for a warranty service request.

If your water heater is "in-warranty", contact the retailer from whom the water heater was purchased (or the installer) for assistance. Be prepared to provide the retailer or installer with a copy of your original receipt, complete model and serial numbers, and the date of installation of your water heater, in addition to explanation of your water heater problem.

Warranty coverage is subject to validation of "in-warranty" coverage by Westinghouse claims department personnel. All alleged defective or malfunctioning parts must be returned to Westinghouse via the local distribution channels where original purchase was made. **NOTE: Any parts or heaters returned to Westinghouse for warranty analysis will become the property of Westinghouse and will not be returned, even if credit is denied.**

If all warranty conditions are satisfied, Westinghouse will provide replacement parts to the retailer.

If you have questions about the coverage of this warranty, please contact Westinghouse at the phone number stated below:

1-774-417-6000

SERVICE, LABOR AND SHIPPING COSTS

This limited warranty does not extend to any shipping charges, delivery expenses, or administrative fees incurred by the purchaser in repairing or replacing the water heater or part(s). This warranty does not extend to labor costs beyond the coverage specified in this warranty document. All such expenses are your responsibility.

LIMITATIONS OF YOUR WESTINGHOUSE WARRANTY AND REMEDIES

THE FOREGOING WARRANTIES ARE EXCLUSIVE AND ARE GIVEN AND ACCEPTED IN LIEU OF ANY AND ALL OTHER WARRANTIES, EXPRESS OR IMPLIED, INCLUDING WITHOUT LIMITATION THE IMPLIED WARRANTIES OF MERCHANTABILITY AND FITNESS FOR A PARTICULAR PURPOSE AND ANY OBLIGATION, LIABILITY, RIGHT, CLAIM OR REMEDY IN CONTRACT OR TORT, WHETHER OR NOT ARISING FROM WESTINGHOUSE'S NEGLIGENCE, ACTUAL OR IMPUTED. THE REMEDIES OF THE PURCHASER SHALL BE LIMITED TO THOSE PROVIDED HEREIN TO THE EXCLUSION OF ANY OTHER REMEDIES INCLUDING WITHOUT LIMITATION, INCIDENTAL OR CONSEQUENTIAL DAMAGES, SAID INCIDENTAL AND CONSEQUENTIAL DAMAGES INCLUDING, BUT NOT LIMITED TO, PROPERTY DAMAGE, LOST PROFIT OR DAMAGES ALLEGED TO HAVE BEEN CAUSED BY ANY FAILURE OF WESTINGHOUSE TO MEET ANY OBLIGATION UNDER THIS AGREEMENT INCLUDING THE OBLIGATION TO REPAIR AND REPLACE SET FORTH ABOVE. NO AGREEMENT VARYING OR EXTENDING THE FOREGOING WARRANTIES, REMEDIES OR THIS LIMITATION WILL BE BINDING UPON WESTINGHOUSE. UNLESS IN WRITING AND SIGNED BY A DULY AUTHORIZED OFFICER OF WESTINGHOUSE. THE WARRANTIES STATED HEREIN ARE NOT TRANSFERABLE AND SHALL BE FOR THE BENEFIT OF THE ORIGINAL PURCHASER ONLY.

NO OTHER WARRANTIES

Your Westinghouse warranty gives you specific legal rights, and you may also have other rights that vary from state to state. Some states do not allow the exclusion or limitation of incidental or consequential damages so this limitation or exclusion may not apply to you.

These are the only written warranties applicable to the water heater manufactured and sold by Westinghouse. Westinghouse neither assumes nor authorizes anyone to assume for it any other obligation or liability in connection with said water heaters.

Westinghouse reserves the right to change specifications or discontinue models without notice.